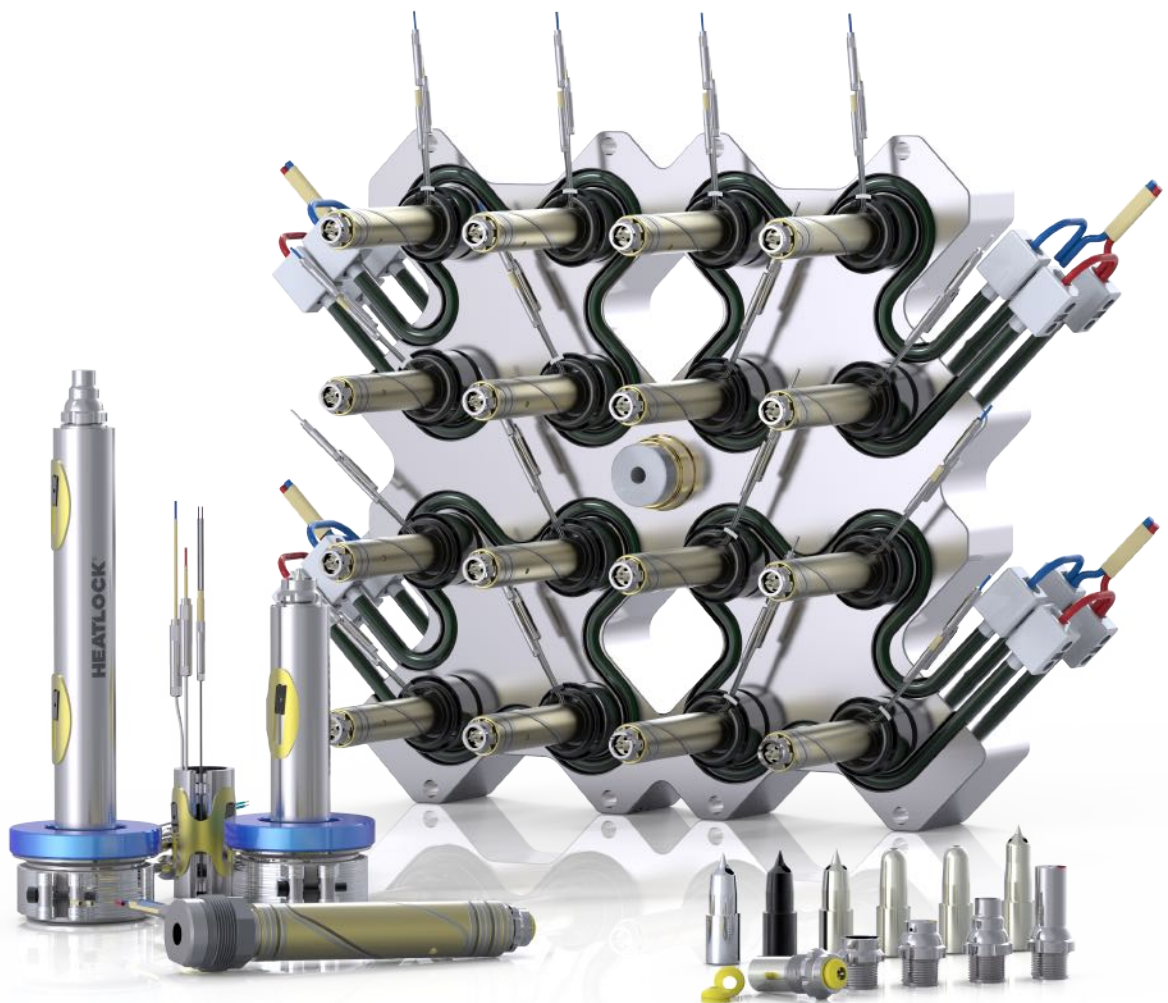


HEATLOCK®

YOUR GLOBAL HOT-RUNNER SOLUTION

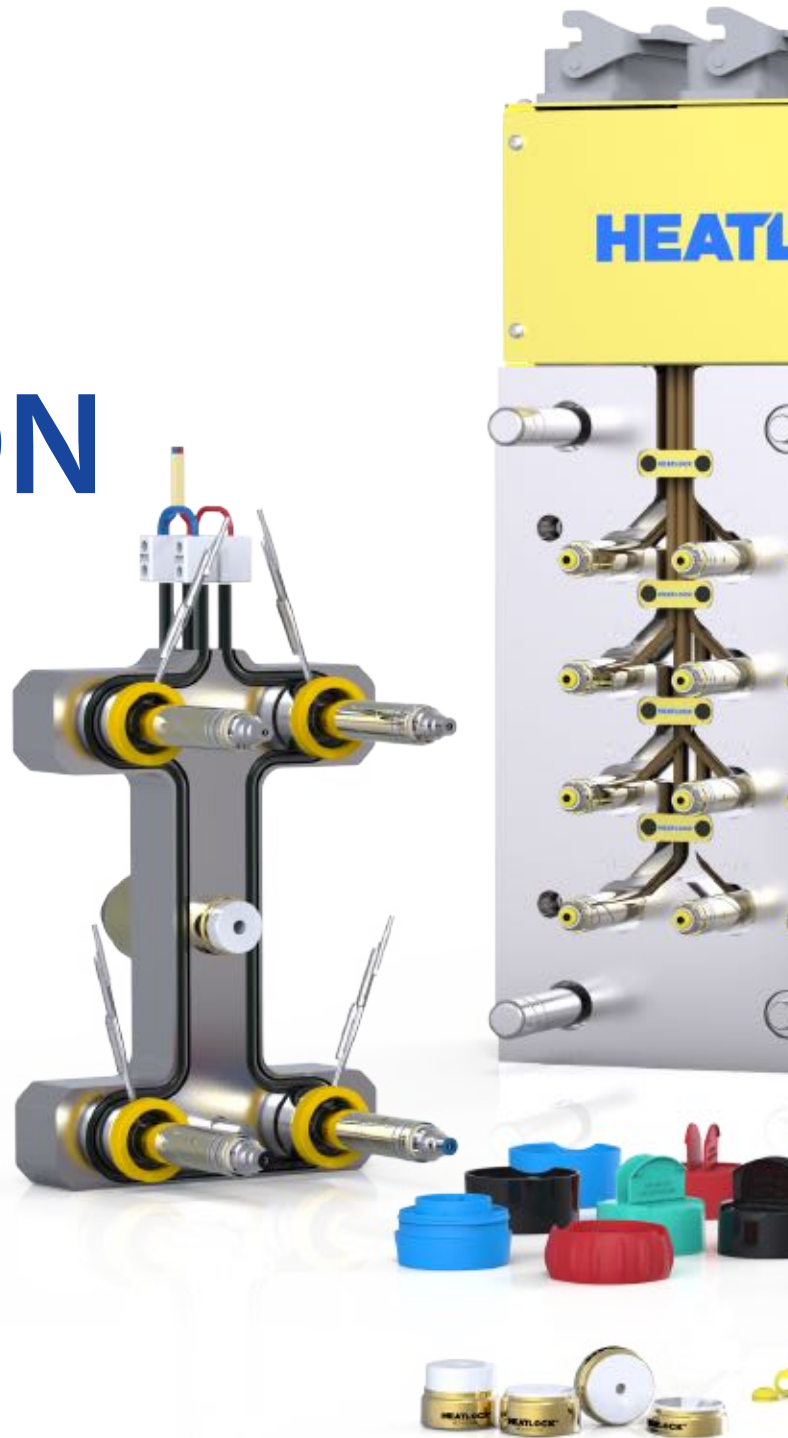


THE STRAIGHT EN

www.heatlock.com

HOT RUNNER PERFECTION MADE BY SWEDEN

THE STRAIGHT, Ultimate
everything, nozzle series





Our passion is hot runner solutions, and we pride ourselves on simplicity whilst maintaining maximum performance, achieving modular perfection.

THE STRAIGHT series, a marvel in details for maximum performance, branching out from our modular perfection the A2&A3 well proven nozzle series, featuring our NEW GROUND BREAKING STRAIGHT heaters.

THE STRAIGHT HEATER series is available in two versions, BUCKLE and THIN. We have together with our high tech heater supplier developed the heater to suit our design and applications. Given a straight temperature profile not influenced by melt or mould temperature. This unique temperature profile, is so good we simply call it, THE STRAIGHT!

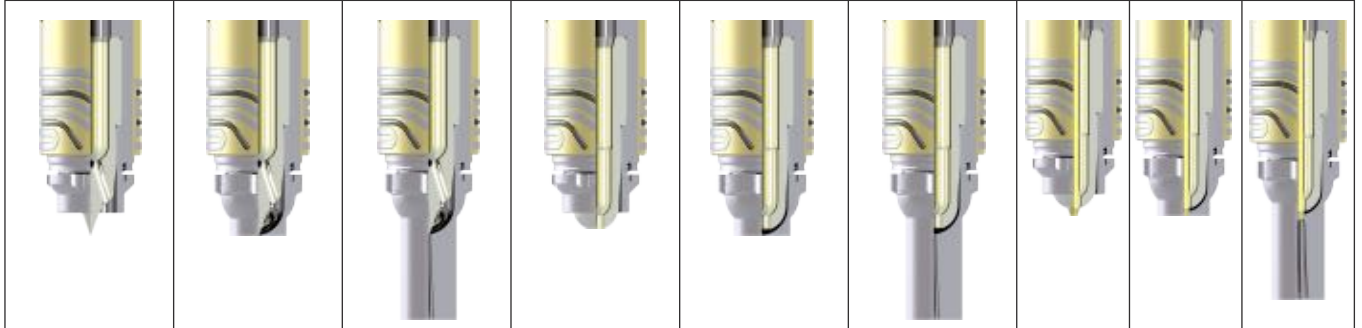
Of course with our signum; -simplicity easy to use and service, modularity to suit.

Suitable for all kinds of resins, commodity or engineering, filled or un-filled. You simply choose the model suitable for your resin, our total super modularity makes it possible.

Available as robust Single Cavity nozzle or as multi cavity nozzles, stack up style or screw in, our well known All-in-One series.

→ Nozzle Selection Guide

(mm)



Type	NOS			NPS			NPX/NSX			POS			PPS			PPX/PSX			VOS		VGS		VGX/VSX				
ΦFeed	4	5	7	4	5	7	4	5	7	4	5	7	4	5	7	4	5	7	4	5	7	5	7	5	7	5	7
ΦGate	0.6-1.5	0.6-2	0.8-3	0.6-1.5	0.6-2	0.8-3	0.6-1.5	0.6-2	0.8-3	0.6-1.5	0.6-2	0.8-3	0.6-1.5	0.6-2	0.8-3	0.6-1.5	0.6-2	0.8-3	0.8-2	1-3	0.8-2	1-3	0.8-2	1-3	0.8-2	1-3	

Max. Recommended shot weight

Low	80	200	400	80	200	400	80	200	400	100	300	600	100	300	600	100	300	600	200	500	200	500	200	500	200	500
Medium	60	100	260	60	100	260	60	100	260	60	125	310	60	125	310	60	125	310	80	200	80	200	80	200	80	200
High	5	20	50	5	20	50	5	20	50	7	25	60	7	25	60	7	25	60	20	50	20	50	20	50	20	50

Suitability

PP	***	***	***	***	***	***	***	***	***	***	***	***	***	***	***	***	***	***	***	***	***	***	***	***	***
PS/PE	***	***	***	***	***	***	***	***	***	***	***	***	***	***	***	***	***	***	***	***	***	***	***	***	***
ABS/SAN	***	***	***	***	***	***	***	***	***	***	***	***	***	***	***	***	***	***	***	***	***	***	***	***	***
POM	***	***	***	***	***	***	***	***	***	***	***	***	***	***	***	***	***	***	***	***	***	***	***	***	***
LCP	*	*	*	*	*	*	*	*	*	*	*	*	*	*	*	*	*	*	*	*	*	*	*	*	*
PBT	*	*	*	*	*	*	*	*	*	*	*	*	*	*	*	*	*	*	*	*	*	*	*	*	*
PET	*	*	*	*	*	*	*	*	*	*	*	*	*	*	*	*	*	*	*	*	*	*	*	*	*
PA6/PA66	***	***	***	***	***	***	***	***	***	***	***	***	***	***	***	***	***	***	***	***	***	***	***	***	***
PC	***	***	***	***	***	***	***	***	***	***	***	***	***	***	***	***	***	***	***	***	***	***	***	***	***
PMMA	***	***	***	***	***	***	***	***	***	***	***	***	***	***	***	***	***	***	***	***	***	***	***	***	***
PPO	*	*	*	*	*	*	*	*	*	*	*	*	*	*	*	*	*	*	*	*	*	*	*	*	*
PES/PEK	*	*	*	*	*	*	*	*	*	*	*	*	*	*	*	*	*	*	*	*	*	*	*	*	*
PPS/PEI	*	*	*	*	*	*	*	*	*	*	*	*	*	*	*	*	*	*	*	*	*	*	*	*	*

Viscosity:

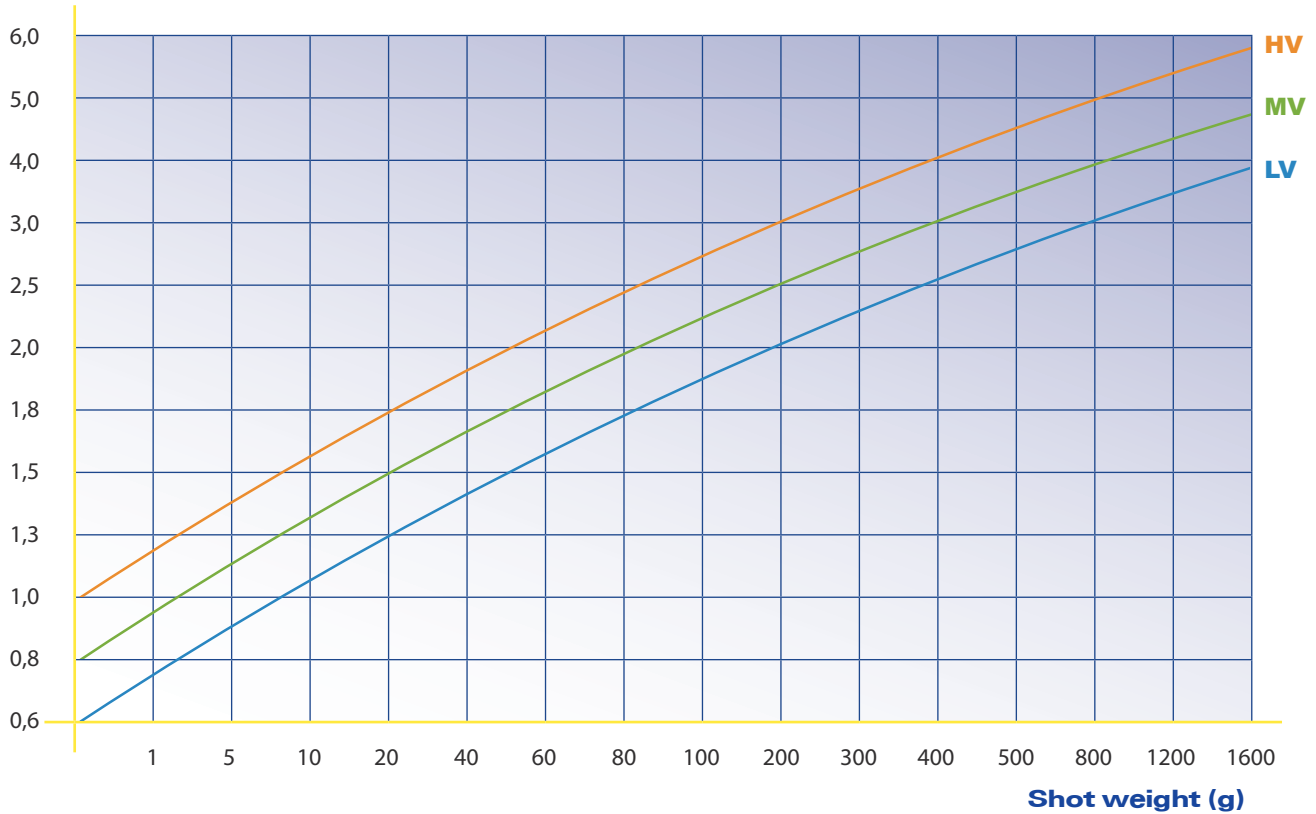
Low	Medium	High
-----	--------	------

*** Good ** Ok * Contact HEATLOCK -- Not recommended

All value above & approximate. For details regarding your product welcome to contact Heatlock.

→ Nozzle Gate Diameter

Gate Ø



NOTE:

1. For "TP" type reduce gate Ø -30%
2. For filled materials increase gate Ø +20%

1. **LV** Low viscosity materials PS, PE, PP
2. **MV** Medium viscosity materials ABS, SAN, PA, POM
3. **HV** High viscosity materials PC, PMMA, PC/ABS, PUR

Above diagram is a guideline built on experience from thousands of applications. However is the result depending on numerous conditions in your mould; balance between shot weight, injection speed, injection pressure, mould temperature, temperature control around the gate area, temperature control opposite the gate.

A smaller gate freeze faster compared with a larger gate, a faster cycle time allow smaller gate, long cycle time requires bigger gate.

If cycle time is short and injection speed fast it may be necessary to design gate cooling to avoid gate to overheat.

When you gate on a runner is it recommended to make the gate slightly larger to reduce pressure drop and decrease shear rates. Runner shall be adjusted in size to suit Hot Runner moulding to get shortest cycle time.

Above diagram is a guideline only, final decision is to be decided by the moulder or simulation considering all factors of the process.

→ STRAIGHT BUCKLE, SB, heater series

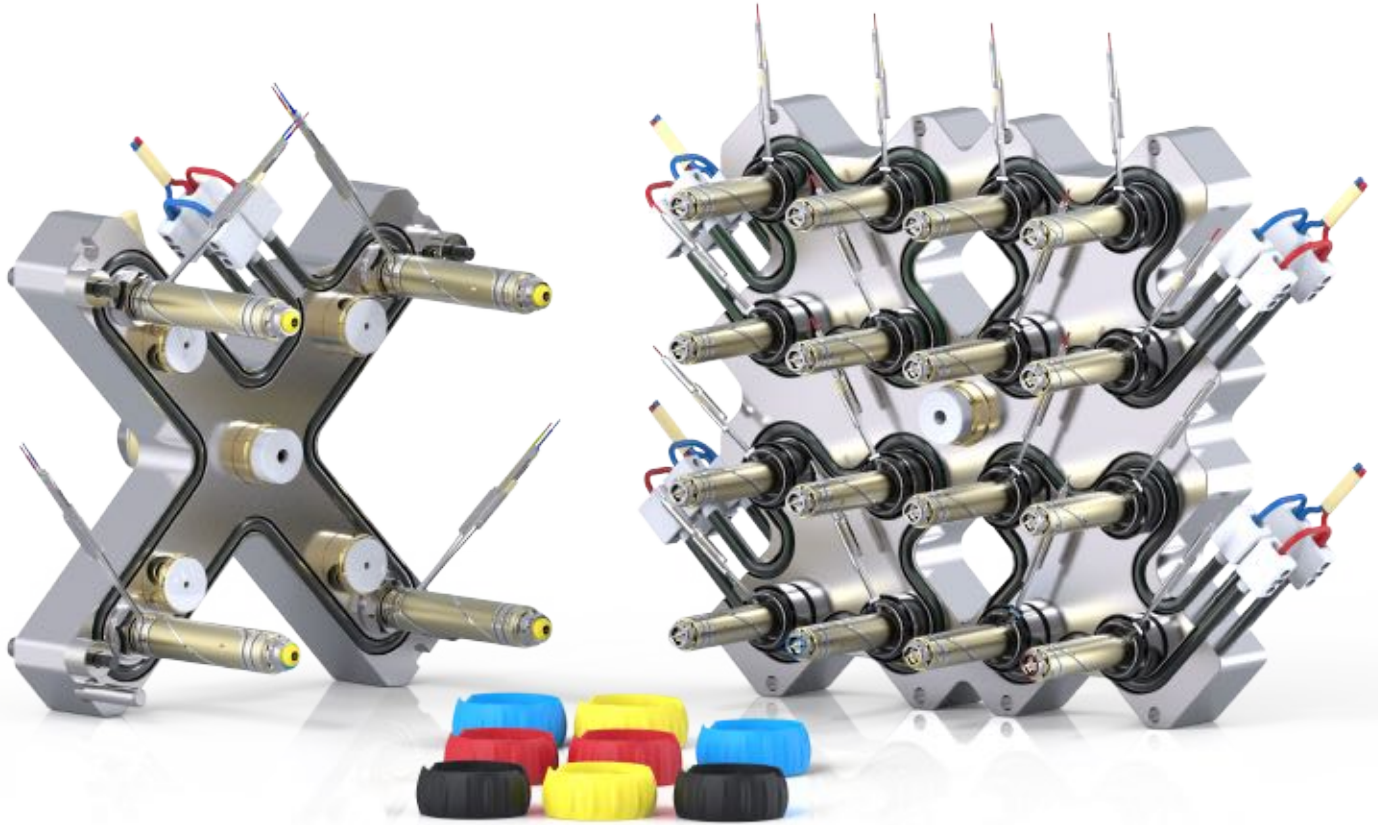


SB heater is a marvel of heater technology, state of the art. You can almost design the energy supply per mm of heater length. Each heater is designed for our nozzle series only and individual nozzle length, as tailor made as it can be.

On top of that it's signature, simplicity. The BUCKLE, you move in one direction it opens the heater, in other direction heaters locks to the nozzle. Heaters unique design opens up or closes its inner diameter making heater change, if ever needed, a breeze.

Delivering STRAIGHT temperature profile and easy to use at the same time!

→ STRAIGHT THIN, ST, Nozzle series

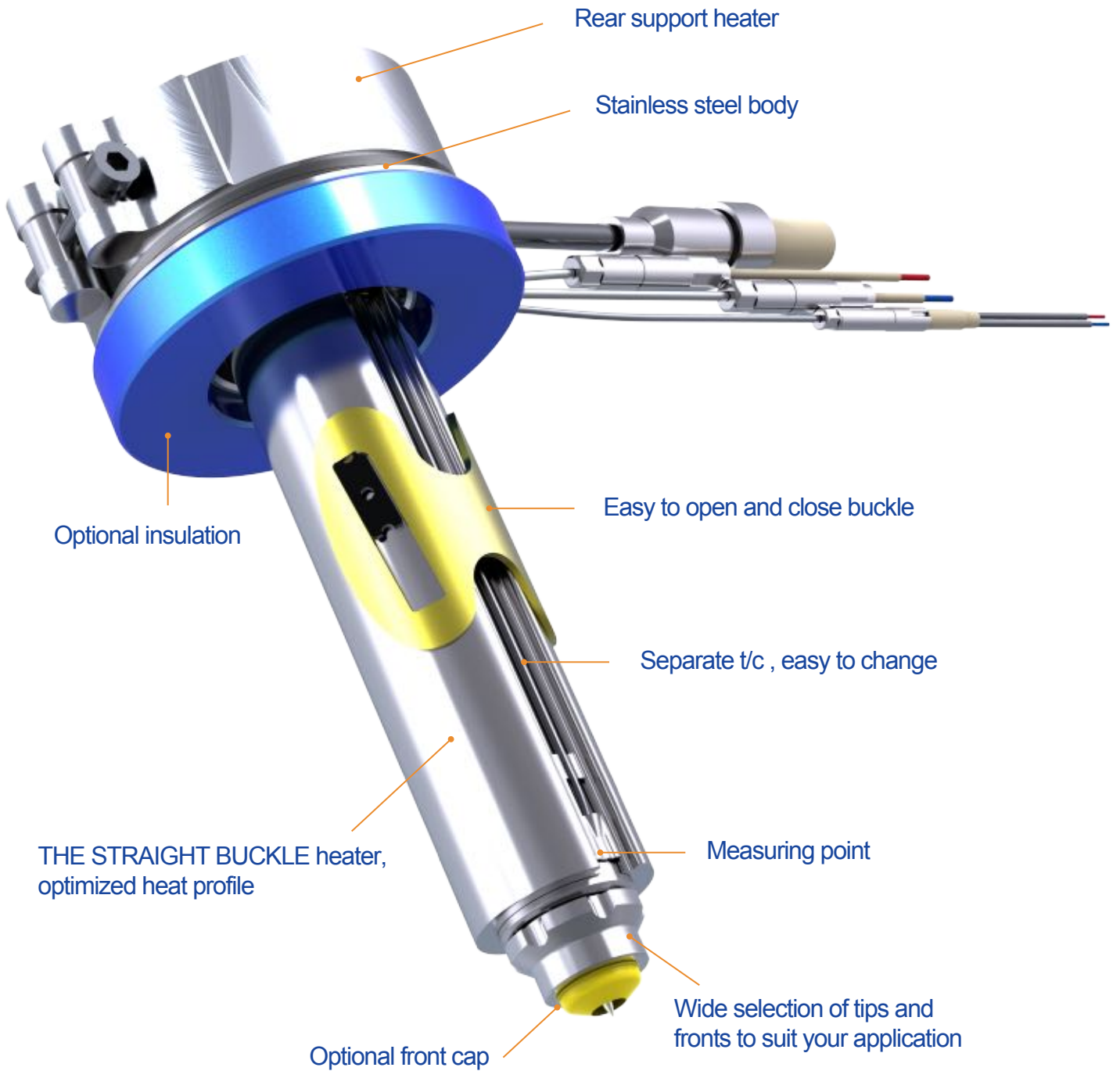


ST heater is masterpiece of compact heater technology and state of the art production know-how. Focus has been to reach an excellent heat supply with a thin heater profile to give the nozzle series a close pitch without losing heat performance. Each heater is designed for our nozzle series only and individual to each length, as tailor made as it can be.

Result is a THIN heater delivering excellent temperature profile and at the same time with a low power rating to preserve energy. It's unique production technology, with dedication to details ensure each heater is identical delivering equal temperatures between the hot runner drops.

Delivering STRAIGHT temperature profile and easy to use at the same time!

→ SB Single Cavity Nozzle Product Features



→ SB Single Cavity Nozzle Series



HOT RUNNER PERFECTION MADE BY SWEDEN; Our modular single cavity work-horse series, simplicity for easy to use and service, modularity to suit your requirement.

All modular elements for this SB series are the same as used for our A2/A3 All-In-One series. To find nozzle that suit your parts' gate requirements, simply select nozzle length and front style using our nozzle guide.

Total of 8 front styles available with tips in one exit or three exit tips. For glass filled resins and other materials requiring wear resistant tip select our HBM or TZM tips for maximized life, available in one exit style.

All tips are designed to give minimum stress to material while maintaining a stable controlled gate temperature.

THE STRAIGHT heater, regardless of melt temperature or mould temperature do we have an excellent temperature profile, STRAIGHT!



NOS



POS



NPX



NSX
NEW



NPS



PPS

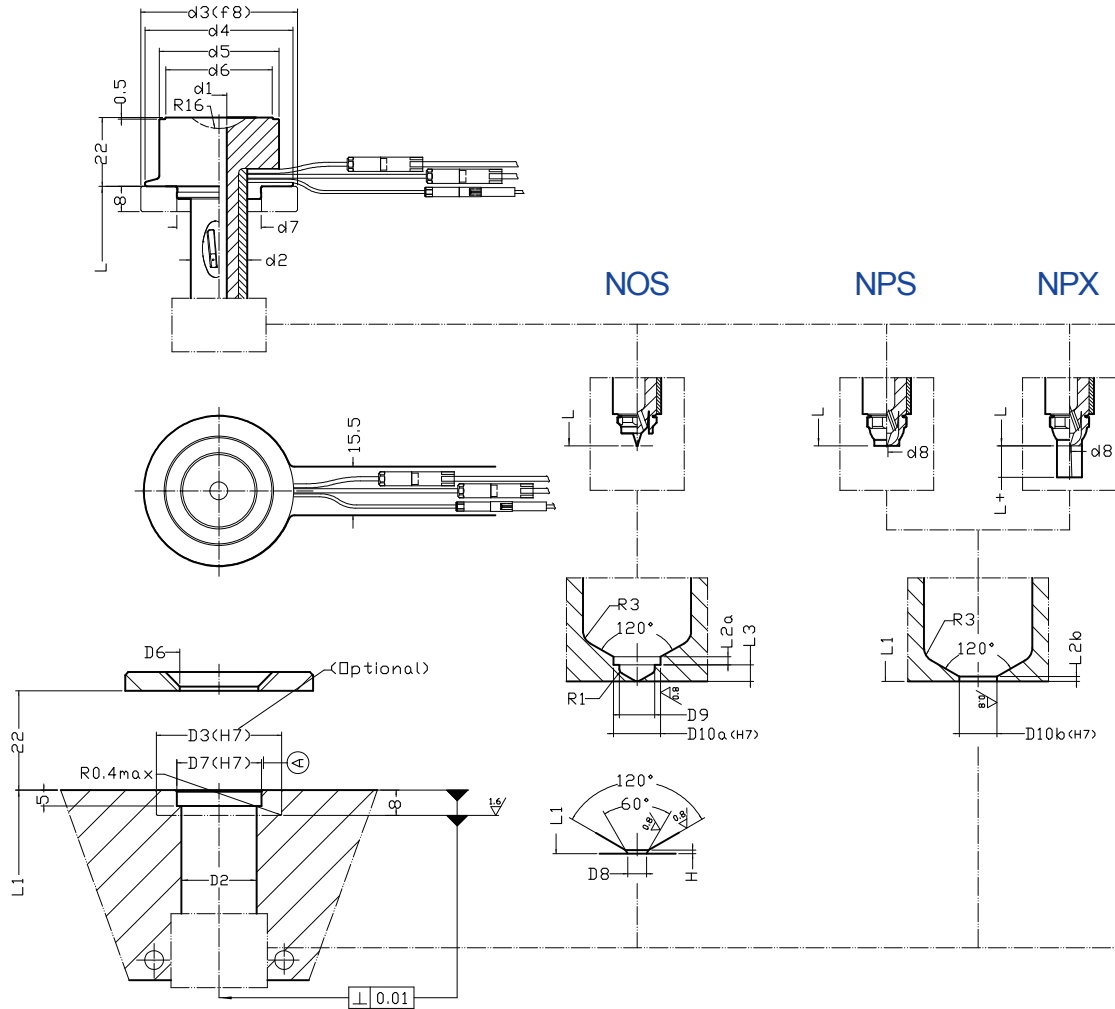


PPX



PSX
NEW

→ SB Single Cavity Nozzle Guide



Order example:



SBSC - NOS - 085 - 07 - 1 - 3 - BH - R16

Nozzle series	Front type	L	Feed dia	Tip mat.	Exits in tip	Band heater	Radius
---------------	------------	---	----------	----------	--------------	-------------	--------

Tip codes:

material: 1=copper alloy,3=HBM-CDC,4=TZM-SHN
 Exits: 1=one exit,3=three exits

- Y/N - Y/N - Y/N

Front cap (optional)	Front Ti ring (optional)	Ti ring (optional)
----------------------	--------------------------	--------------------

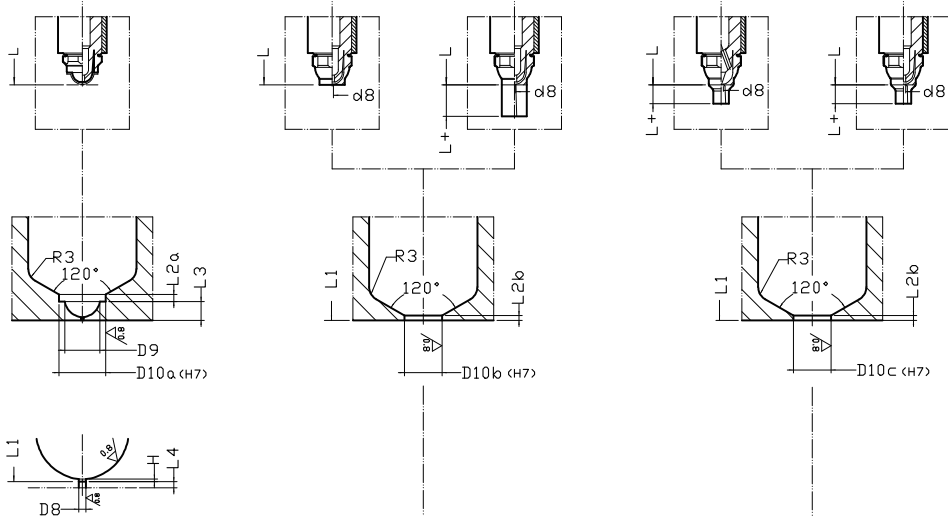
POS

PPS

PPX

NSX

PSX

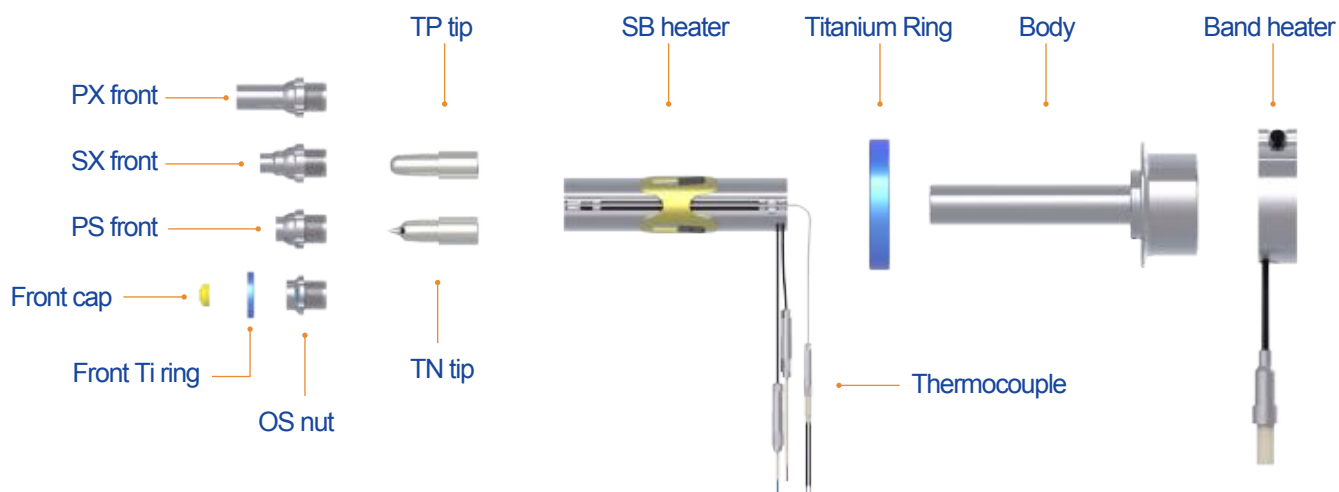


(L4 determined by customer)

		SBSC 07									
		Size	NOS NPS NPX POS PPS PPX NSX PSX								
Nozzle	L	35	50	60	75	85	100	110	135	160	
	L+	15(PX),7(SX)									
	d1	7									
	d2	23									
	d3	T50									
	d4	48									
	d5	39									
	d6	34.8									
	d7	27									
d8	3≥0.8										
Mould	L1	35.12	50.13	60.15	75.18	85.22	100.23	110.27	135.31	160.34	
	L2a	2.5									
	L2b	1.5									
	L3	3.5									
	H	0.2									
	D2	24									
	D3	T50									
	D6	36.8									
	D7	27									
	D8	3≥0.8									
	D9	9									
	D10a	12									
	D10b	10									
D10c	7										

T=Titanium

→ SB Single Cavity Nozzle Spare Parts



Nozzle body spare parts list

Size	Nozzle L	Body	SB heater	Spare Thermocouple	Band heater	Front Ti Ring	Titanium Ring	Front cap
SBSC 07	35	SBSCBD203507	SB150310160	TC00160160-17	BH239150	OS Nut	TIM05002708 (optional)	A3FC079443 (optional)
	50	SBSCBD205007	SB150430229	TC00160160-26				
	60	SBSCBD206007	SB150560239	TC00160160-39				
	75	SBSCBD207507	SB150690248	TC00160160-26				
	85	SBSCBD208507	SB150810258	TC00160210-29				
	100	SBSCBD210007	SB150940267					
	110	SBSCBD211007	SB151070277					
	135	SBSCBD213507	SB151320295	TC00160260-29				
	160	SBSCBD216007	SB151580314					

Front Assembly Spare Parts

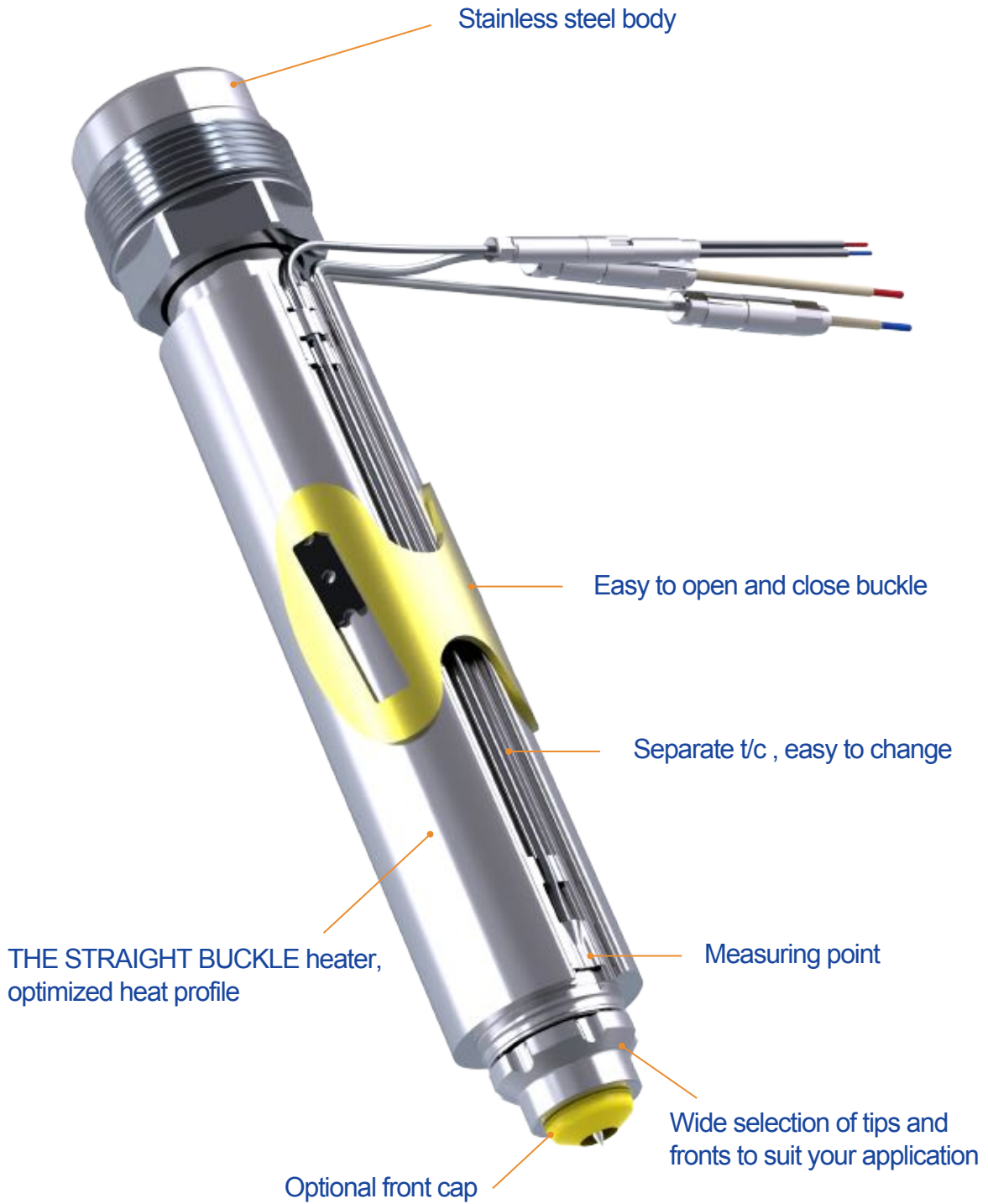
POS+PPS+PPX+PSX			NOS+NPS+NPX+NSX		
Item code	Nut/Front	Tip	Item code	Nut/Front	Tip
A3POS21212	A3OS21212	A3TP211331	A3NOS212121-1	A3OS21212	A3TN211351-1
A3PPS21012	A3PS21012		A3NOS212123-1		A3TN211353-1
A3PPX21012	A3PX21012		A3NOS212124-1		A3TN211354-1
A3PSX20712	A3SX20712		A3NOS212121-3		A3TN211351-3
			A3NPS210121-1	A3PS21012	A3TN211351-1
			A3NPS210123-1		A3TN211353-1
			A3NPS210124-1		A3TN211354-1
			A3NPS210121-3		A3TN211351-3
			A3NPX210121-1	A3PX21012	A3TN211351-1
			A3NPX210123-1		A3TN211353-1
			A3NPX210124-1		A3TN211354-1
			A3NPX210121-3		A3TN211351-3
			A3NSX207121-1	A3SX20712	A3TN211351-1
			A3NSX207123-1		A3TN211353-1
			A3NSX207124-1		A3TN211354-1
			A3NSX207121-3		A3TN211351-3



Tip spare parts list

Material	1 exit			3 exits
	Copper	HBM-CDC	TZM-SHN	Copper
size 07	A3TN211351-1	A3TN211353-1	A3TN211354-1	A3TN211351-3
	A3TP211331	-	-	-

→ SB Screw-in Nozzle Product Features



→ SB Screw-in Nozzle Series



HOT RUNNER PERFECTION MADE BY SWEDEN; Our modular multi cavity screw in nozzle series, simplicity for easy to use and service, modularity to suit your requirement.

All modular elements for this SB series are the same as used for our A2/A3 All-In-One series. To find nozzle that suit your parts' gate requirements, simply select nozzle length and front style using our nozzle guide.

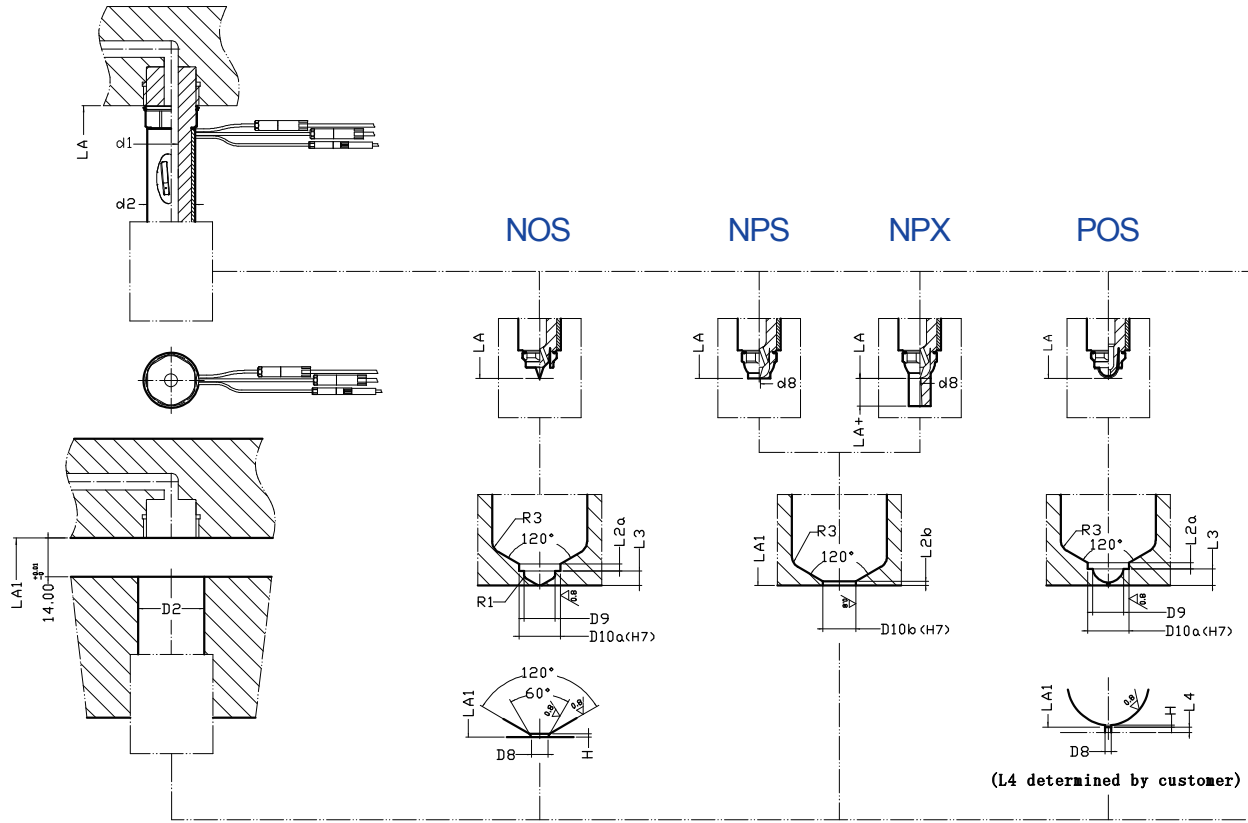
Total of 12 front styles available with tips in one exit or three exit tips. For glass filled resins and other materials requiring wear resistant tip select our HBM or TZM tips for maximized life, available in one exit style.

All tips are designed to give minimum stress to material while maintaining a stable controlled gate temperature.

THE STRAIGHT heater, regardless of melt temperature or mould temperature do we have an excellent temperature profile, STRAIGHT!



→ SB, Screw-in, All-In-One Nozzle Series



Order example:



SBMC - NOS - 080 - 07 - 1 - 3 - Y/N - Y/N - Y/N

Nozzle series	Nut/Front type	LA	Feed dia.	Tip mat.	Exits in tip	Front cap (optional)	Front Ti ring (optional)	Ti ring (optional)
---------------	----------------	----	-----------	----------	--------------	----------------------	--------------------------	--------------------

Tip codes:

material: 1=copper alloy,3=HBM-CDC,4=TZM-SHN
Exits: 1=one exit,3=three exits

PPS

PPX

NSX

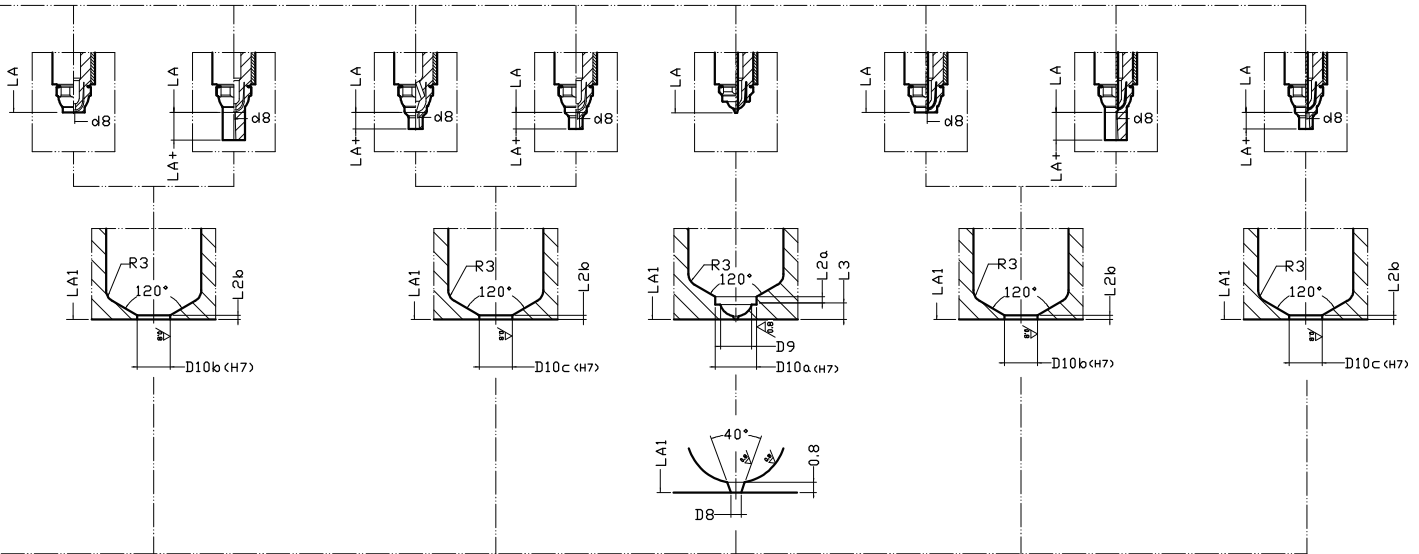
PSX

VOS

VGS

VGX

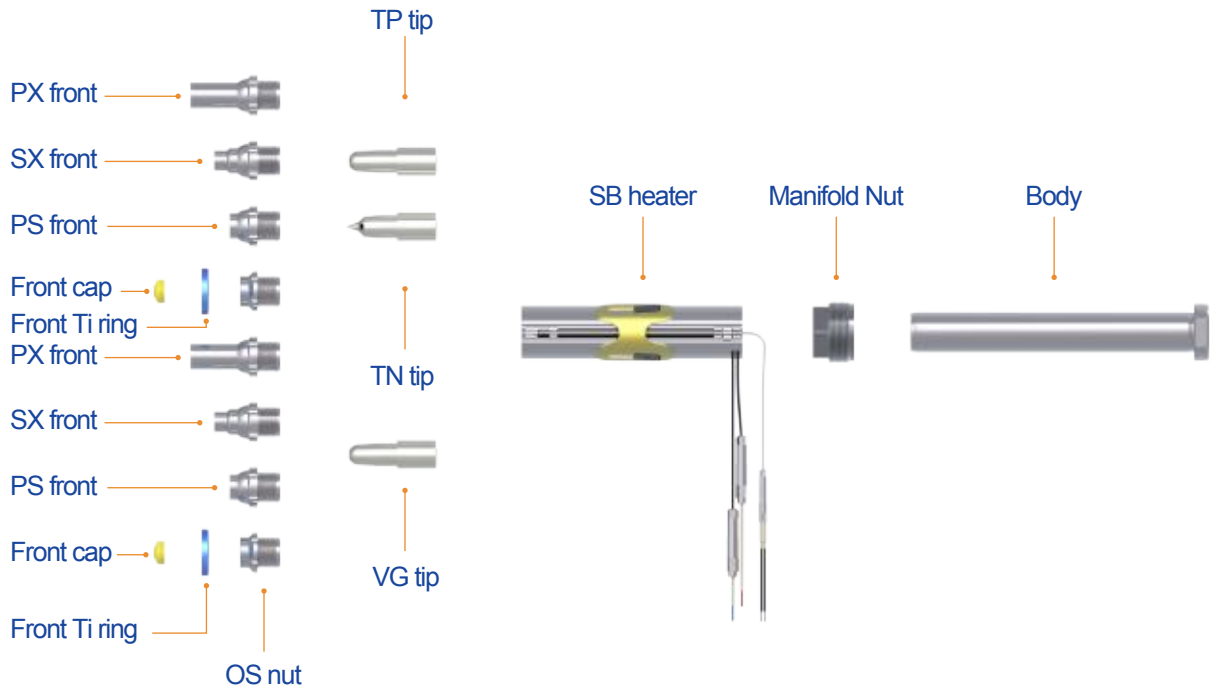
VSX



		SBMC 07									
		Size	NOS NPS NPX POS PPS PPX NSX PSX VOS VGS VGX VSX								
Nozzle	LA	55	65	80	90	105	115	130	155	180	
	LA+	15(PX), 7(SX)									
	d1	7									
	d2	23									
	d8	3≥0.8									
Mould	LA1	55.15	65.17	80.2	90.22	105.25	115.28	130.31	155.35	180.4	
	L2a	2.5									
	L2b	1.5									
	L3	3.5									
	H	0.2									
	D2	24									
	D8	3≥0.8									
	D9	9									
	D10a	12									
	D10b	10									
D10c	7										

T=Titanium

→ SB, Screw-in, All-In-One Nozzle Spare Parts



Nozzle body spare parts list

Size	Nozzle L	Body	Manifold Nut	SB heater	Spare Thermocouple	Front Ti Ring	Front cap
SBMC 07	55	SBMCBD205507	A3KG2416	SB150310160	TC00160160-17	TIM01801203 (optional)	A3FC079443 A3VGFC079441 (optional)
	65	SBMCBD206507		SB150430229	TC00160160-26		
	80	SBMCBD208007		SB150560239	TC00160160-39		
	90	SBMCBD209007		SB150690248	TC00160160-26		
	105	SBMCBD210507		SB150810258	TC00160210-29		
	115	SBMCBD211507		SB150940267			
	130	SBMCBD213007		SB151070277	TC00160260-29		
	155	SBMCBD215507		SB151320295			
	180	SBMCBD218007		SB151580314			

Front Assembly Spare Parts

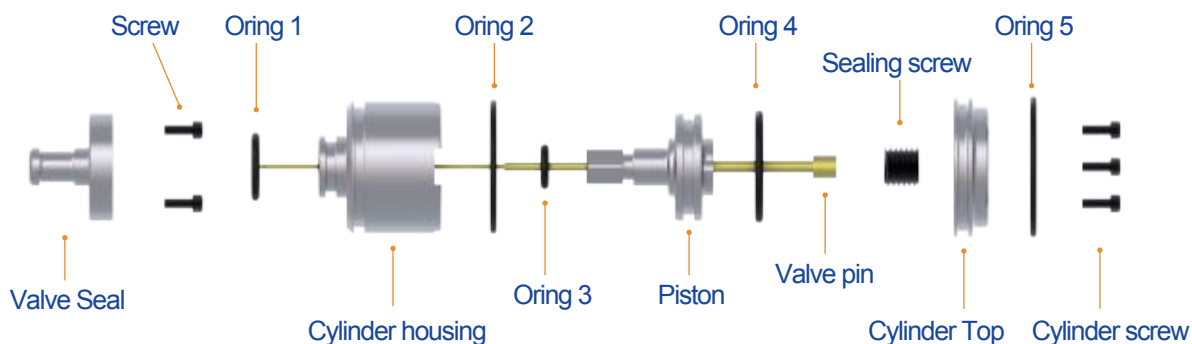
POS+PPS+PPX+PSX			NOS+NPS+NPX+NSX			VOS+VGS+VGX+VSX		
Item code	Nut/Front	Tip	Item code	Nut/Front	Tip	Item code	Nut/Front	Tip
A3POS21212	A3OS21212	A3TP211331	A3NOS212121-1	A3OS21212	A3TN211351-1	A3VOS212121	A3OS21212	A3TV211331
A3PPS21012	A3PS21012		A3NOS212123-1		A3TN211353-1	A3VGS210121	A3GS21012	
A3PPX21012	A3PX21012		A3NOS212124-1		A3TN211354-1	A3VGX210121	A3GX21012	
A3PSX20712	A3SX20712		A3NOS212121-3		A3TN211351-3	A3VSX207121	A3VX20712	
			A3NPS210121-1	A3PS21012	A3TN211351-1	A3VOS212123	A3OS21212	A3TV211333
			A3NPS210123-1		A3TN211353-1	A3VGS210123	A3GS21012	
			A3NPS210124-1		A3TN211354-1	A3VGX210123	A3GX21012	
			A3NPS210121-3		A3TN211351-3	A3VSX207123	A3VX20712	
			A3NPX210121-1	A3PX21012	A3TN211351-1			
			A3NPX210123-1		A3TN211353-1			
			A3NPX210124-1		A3TN211354-1			
			A3NPX210121-3		A3TN211351-3			
			A3NSX207121-1	A3SX20712	A3TN211351-1			
			A3NSX207123-1		A3TN211353-1			
			A3NSX207124-1		A3TN211354-1			
			A3NSX207121-3		A3TN211351-3			



Tip spare parts list

Material	1 exit			3 exits
	Copper	HBM-CDC	TZM-SHN	Copper
size 07	A3TN211351-1	A3TN211353-1	A3TN211354-1	A3TN211351-3
	A3TP211331	-	-	-
	A3TV211331	A3TV211333	-	-

→ SB, Screw-in, All-In-One Cylinder Spare Parts



SBMC VG Cylinder spare parts

Size	Valve seal	Cylinder housing	Piston	Cylinder top	Valve pins	Screw	Sealing screw	Cylinder screw
SBMCG07	CPVS063124	CPCY063835	CPPT063136	CPCT064010	PN0415230 PN0415230-G2 PN0625260 PN0625260-G2 PN0625350 PN0625350-G2	M4X8	GS1215-10	M5X12X10

Size	O-Ring 1	O-Ring 2	O-Ring 3	O-Ring 4	O-Ring 5
SBMCG07	ORIN-00228	ORIN-00234	ORIN-00227	ORIN-00233	ORIN-00235

SBMC VG Cylinder bore dimension

(mm)

Size	D0	D4	D5	D9	D10	D11	E1	E2	E3	E4
ACCP25260	42	6	12	40	38	18	24	23	15	18

MARKET : **SPORTS**

PROJECT NO. : **A180-3177**

SOLUTION : **ACTUATED PLATE INSTEAD CYLINDER,
UNFIXED CYCLE TIME**

HR SYSTEM/GATE : **A3-VALVE GATE SYSTEM**

RESIN : **Monprene® OM-19450 AP NAT (TPE)**

PART WEIGHT : **2g**

GATE TYPE : **VALVE GATE,(SBMC-VSX)**



→ STRAIGHT THIN, ST SERIES



Optional insulation

THE STRAIGHT THIN heater,
optimized heat profile

Wide selection of tips and
fronts to suit your application
Optional front cap

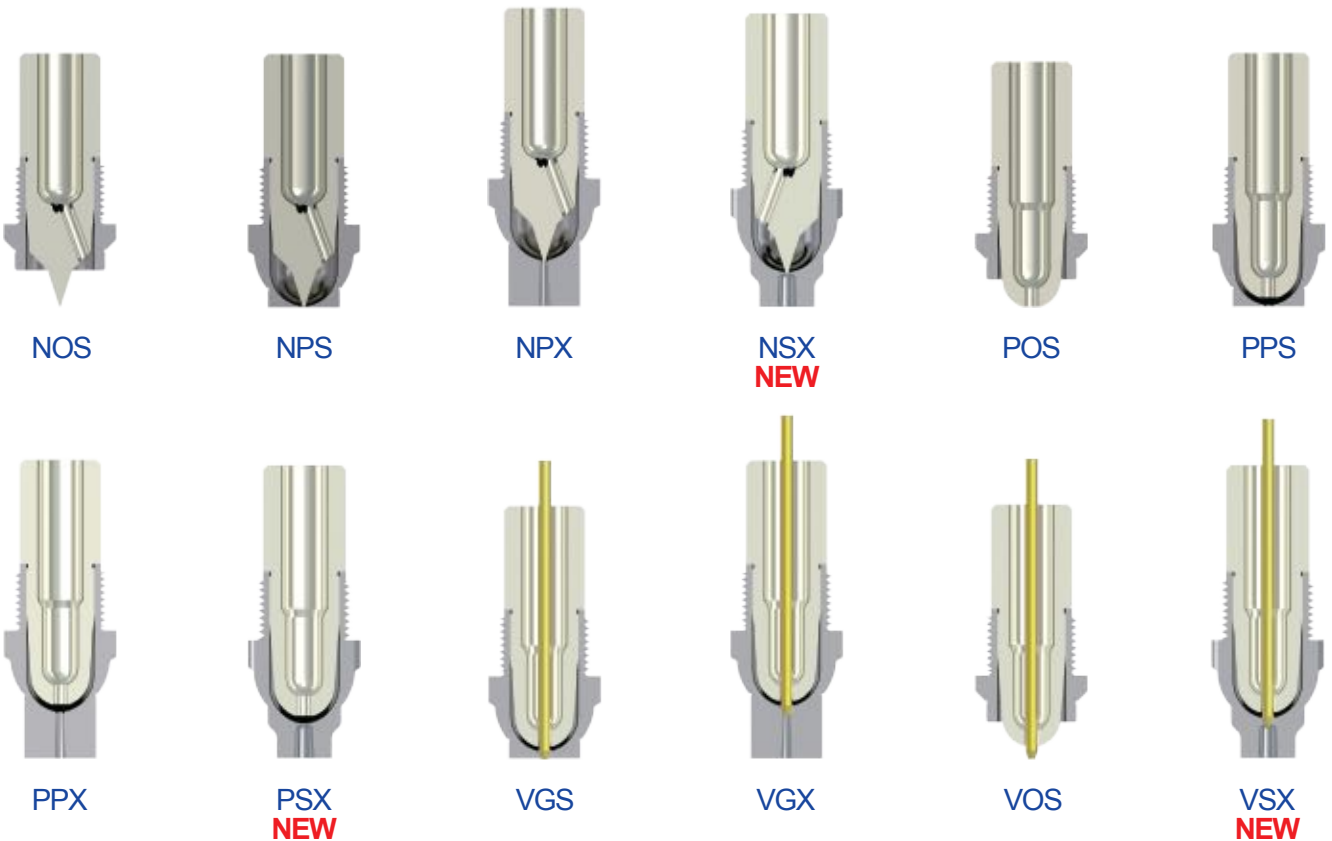
→ STRAIGHT THIN, ST SERIES, Stack up nozzle range



HOT RUNNER PERFECTION MADE BY SWEDEN; Our STRAIGHT heater in the THIN version, suitable to higher cavitation, tighter pitch wherever you want to have excellent temperature control of your moulding. All modular elements for this ST series are the same as used for our A2/A3 All-In-One series. using our nozzle guide.

Total of 12 front styles available with tips in one exit or three exit tips. For glass filled resins and other materials requiring wear resistant tip select our HBM or TZM tips for maximized life, available in one exit style. All tips are designed to give minimum stress to material while maintaining a stable controlled gate temperature.

THE STRAIGHT heater, regardless of melt temperature or mould temperature do we have an excellent temperature profile, STRAIGHT!



→ ST SERIES, Stack up nozzle NOS+NPS+NPX+NSX Series



NOS

- Topless direct gate small residue on the part
- One hole options for shear sensitive materials
- TZM one exit tips for reinforced materials

NPX

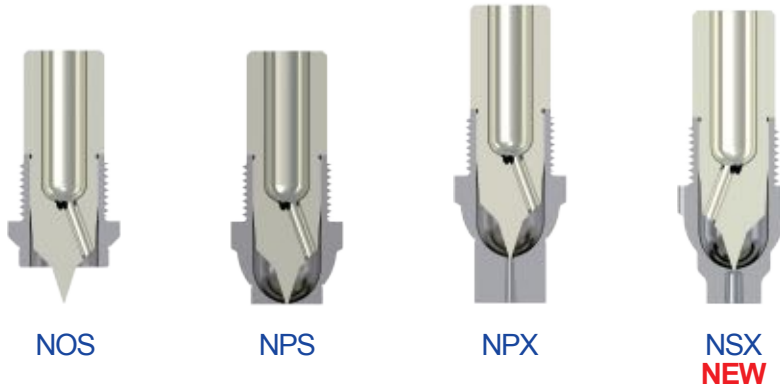
- Direct gate small residue on the part, reduced stringing
- One exit options for shear sensitive materials, TZM one exit tips for reinforced materials
- Gating on contour or with a sprue gate
- Exchangeable gate, gate separated from mould plate

NPS

- Direct gate small residue on the part, reduced stringing
- One exit options for shear sensitive materials, TZM one exit tips for reinforced materials
- Exchangeable gate, gate separated from mould plate

NSX

- Perfect hot to cold solution
- Direct gate on the part, reduced stringing
- One exit options for shear sensitive materials, TZM tips for reinforced materials
- Exchangeable front, gate separated from mould plate
- Excellent for glass filled resins and high temperature moulding

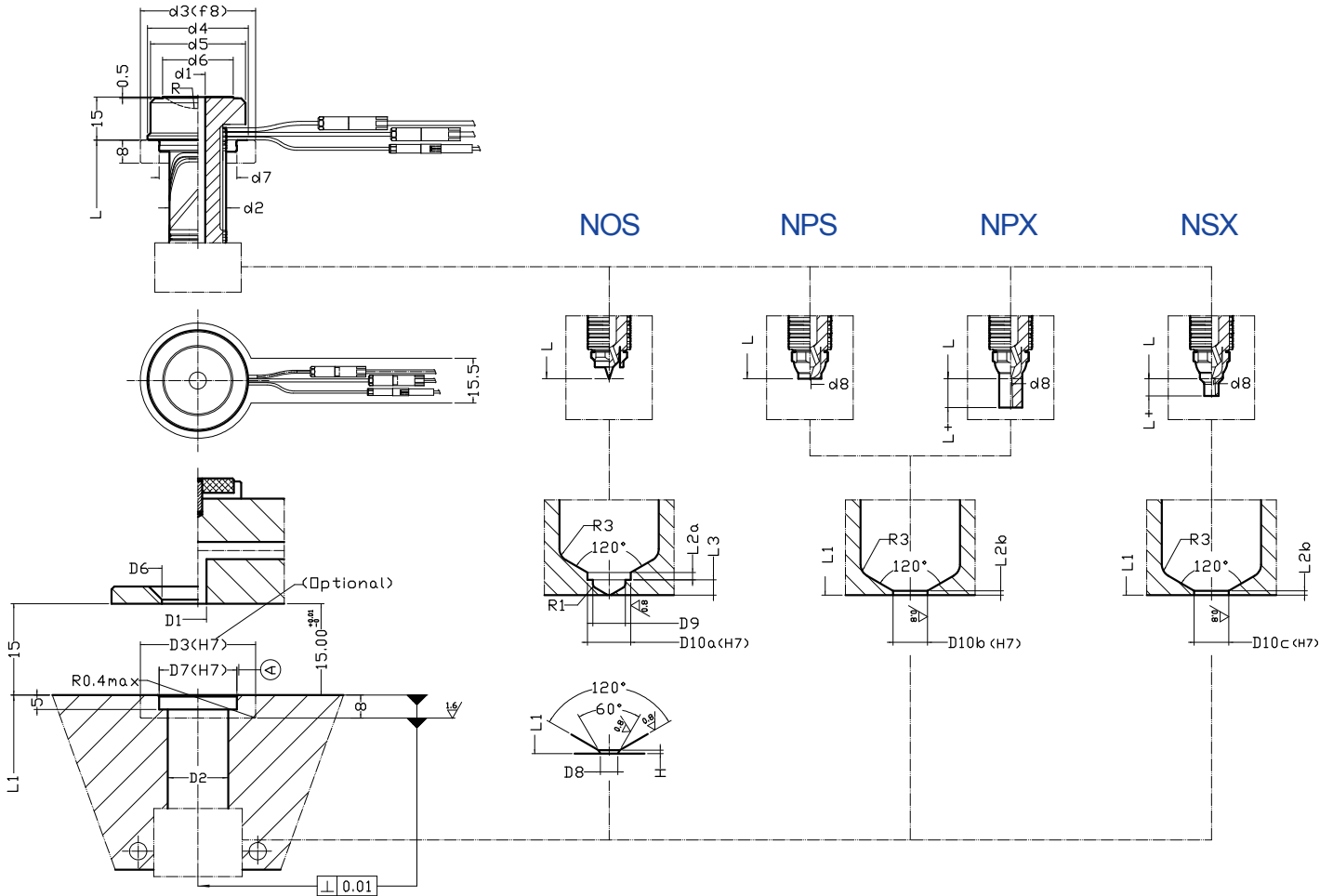


(mm)

Size	Size 04	Size 05	Size 07
L	50~100	50~120	60~160
Feed Φ	4	5	7
Gate Φ	0.6~1.5	0.6~2	0.8~3

Shot Weight(g)			
Low-viscosity	80	200	400
Medium-viscosity	60	100	260
High-viscosity	5	20	50

→ ST SERIES, Stack up nozzle NOS+NPS+NPX+NSX Nozzle Guide



Order example:



A2ST - NOS - 080 - 05 - 1 - 3

Nozzle series Nut/Front type L Feed dia. Tip mat. Exits in tip

Tip codes:

material: 1=copper alloy,3=HBM-CDC,4=TZM-SHN
Exits: 1=one exit,3=three exits

- BH - R19 - Y/N - Y/N - Y/N

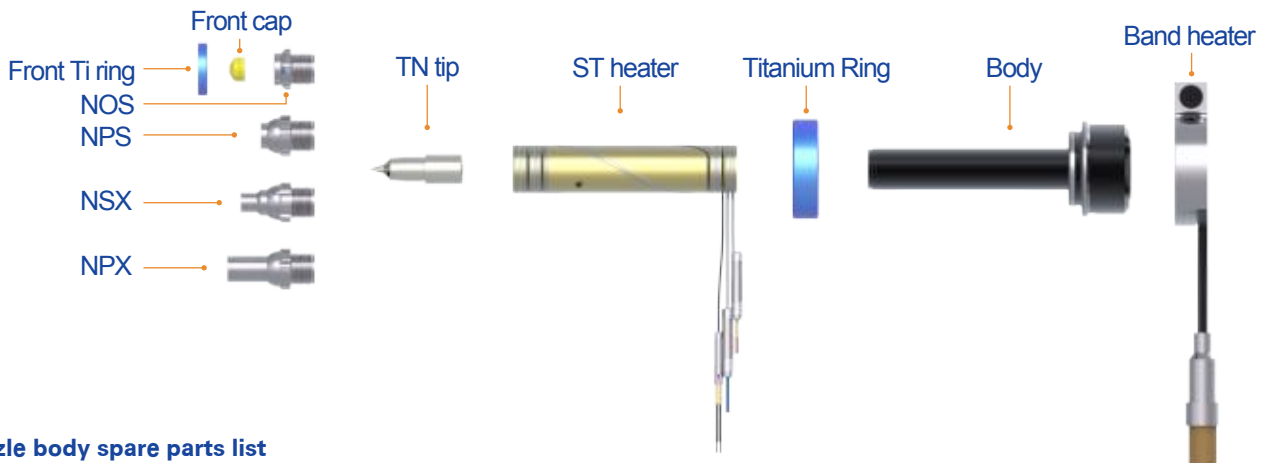
Band heater (optional) Radius (optional) Front cap (optional) Front Ti ring (optional) Ti ring (optional)

→ ST SERIES, Stack up nozzle NOS+NPS+NPX+NSX Dimension

		A2ST + NOS NPS NPX NSX														
Nozzle	Size	04				05					07					
	L	50	60	80	100	50	60	80	100	120	60	80	100	120	140	160
	L+	5				10(PX), 6(SX)					15(PX), 7(SX)					
	d1	4				5					7					
	d2	12				16					19					
	d3	T23				C30,T30					T36,T40,T50					
	d4	23				29					35					
	d5	21				27					33					
	d6	14				18					24.5					
	d7	17				23					27					
	d8	1.5≥0.6				2≥0.6					3≥0.8					
Mould	L1	50.13	60.15	80.18	100.22	50.13	60.15	80.18	100.22	120.26	60.15	80.19	100.23	120.27	140.31	160.34
	L2a	1.1				2					2.5					
	L2b	1				1					1.5					
	L3	1.7				3.5					3.5					
	H	0.2				0.2					0.2					
	D1	4				5					7					
	D2	13				18					21					
	D3	T23				C30, T30					T36,T40,T50					
	D6	16				20					26.5					
	D7	17				23					27					
	D8	1.5≥0.6				2≥0.6					3≥0.8					
	D9	4.5				7.5					9					
	D10a	6				10					12					
	D10b	6				8					10					
	D10c	5				5					7					

T=Titanium

→ ST SERIES, Stack up nozzle NOS+NPS+NPX+NSX Spare Parts



Nozzle body spare parts list

Size	Nozzle L	Body	ST heater	Front cap	Titanium Ring	Band heater	Front Ti Ring
04	50	A2BD105004	ST850500150	A3FC044724 (optional)	TIM02301708 (optional)	BH121150 (optional)	TIM00900615 (optional)
	60	A2BD106004	ST850600160				
	80	A2BD108004	ST850800230				
	100	A2BD110004	ST851000250				
05	50	A2BD105005	ST120450182	A3FC057939 (optional)	TIM03002308 (optional)	BH127150 (optional)	TIM01400803 (optional)
	60	A2BD106005	ST120550190				
	80	A2BD108005	ST120750220				
	100	A2BD110005	ST120950270				
07	60	A2BD206007	ST150510212	A3FC079443 (optional)	TIM03602708 TIM04002708 TIM05002708 (optional)	BH233200 (optional)	TIM01601003 (optional)
	80	A2BD208007	ST150710238				
	100	A2BD210007	ST150910287				
	120	A2BD212007	ST151110299				
	140	A2BD214007	ST151310312				
	160	A2BD216007	ST151510325				

Front Assembly Spare Part

Item code	Size 04		Item code	Size 05		Item code	Size 07	
	Nut/Front	Tip		Nut/Front	Tip		Nut/Front	Tip
A3NOS0307061-1	A3OS030706	A3TN0306161-1	A3NOS110101-1	A3OS11010	A3TN109281-1	A3NOS212121-1	A3OS21212	A3TN211351-1
A3NOS0307061-2		A3TN0306163-2	A3NOS110103-1		A3TN109283-1	A3NOS212123-1		A3TN211353-1
A3NOS0307063-1		A3TN0306161-1	A3NOS110104-1		A3TN109284-1	A3NOS212124-1		A3TN211354-1
A3NPS0307061-1	A3PS030706	A3TN0306163-1	A3NOS110101-3	A3PS10810	A3TN109281-3	A3NOS212121-3	A3PS21012	A3TN211351-3
A3NPS0307061-2		A3TN0306161-2	A3NPS108101-1		A3TN109281-1	A3NPS210121-1		A3TN211351-1
A3NPS0307063-1		A3TN0306163-1	A3NPS108103-1		A3TN109283-1	A3NPS210123-1		A3TN211353-1
A3NPX0307061-1	A3PX030706	A3TN0306161-1	A3NPS108104-1	A3PX10810	A3TN109284-1	A3NPS210124-1	A3PX21012	A3TN211354-1
A3NPX0307061-2		A3TN0306163-2	A3NPS108101-3		A3TN109281-3	A3NPS210121-3		A3TN211351-3
A3NPX0307063-1		A3TN0306161-1	A3NPX108101-1		A3TN109281-1	A3NPX210121-1		A3TN211351-1
A3NSX0305071-1	A3SX030507	A3TN0306163-1	A3NPX108103-1	A3SX10510	A3TN109283-1	A3NPX210123-1	A3SX20712	A3TN211353-1
A3NSX0305071-2		A3TN0306161-2	A3NPX108104-1		A3TN109284-1	A3NPX210124-1		A3TN211354-1
A3NSX0305073-1		A3TN0306163-1	A3NPX108101-3		A3TN109281-3	A3NPX210121-3		A3TN211351-3
			A3NSX105101-1		A3TN109281-1	A3NSX207121-1		A3TN211351-1
			A3NSX105103-1		A3TN109283-1	A3NSX207123-1		A3TN211353-1
			A3NSX105104-1		A3TN109284-1	A3NSX207124-1		A3TN211354-1
			A3NSX105101-3		A3TN109281-3	A3NSX207121-3		A3TN211351-3



TN tip spare part list

Size	1 exit			3 exits copper
	copper	HBM-CDC	TZM-SHN	
Size 04	A3TN0306161-1	A3TN0306163-1	*	*
	A3TN0306161-2			
Size 05	A3TN109281-1	A3TN109283-1	A3TN109284-1	A3TN109281-3
Size 07	A3TN211351-1	A3TN211353-1	A3TN211354-1	A3TN211351-3

→ ST SERIES, Stack up nozzle POS+PPS+PPX+PSX Series



POS

- Topless direct gate or on a sprue gate
- Open flow little shear stress
- Fast gate cooling

PPS

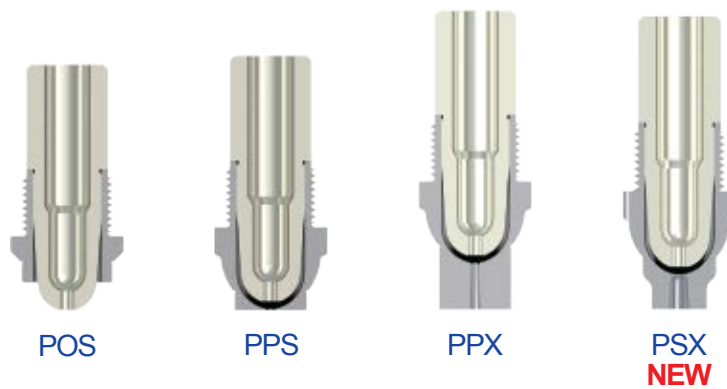
- Topless direct gate or on a sprue gate
- Open flow little shear stress
- Exchangeable gate, gate separated from mould plate

PPX

- Direct gate or on a sprue gate small residue on the part
- Open flow little shear stress
- Gating on contour or with a sprue gate
- Exchangeable gate, gate separated from mould plate

PSX

- Perfect hot to cold solution
- Direct gate on the part, reduced stringing
- Exchangeable front, gate separated from mould plate
- Excellent for glass filled resins and high temperature moulding

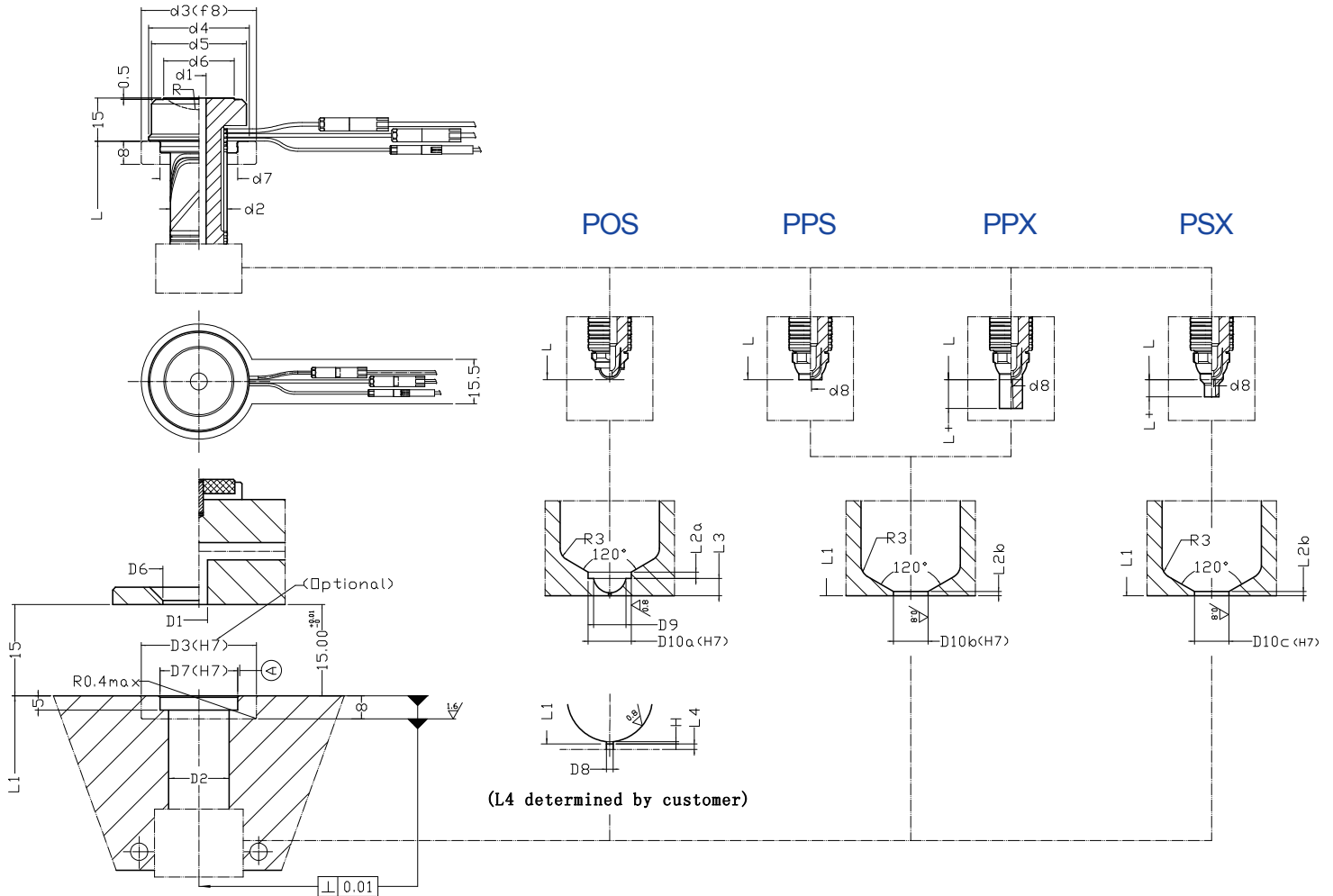


(mm)

Size	Size 04	Size 05	Size 07
L	50~100	50~120	60~160
Feed Φ	4	5	7
Gate Φ	0.6~1.5	0.6~2	0.8~3

Shot Weight(g)			
Low-viscosity	100	300	600
Medium-viscosity	60	125	310
High-viscosity	7	25	60

→ ST SERIES, Stack up nozzle POS+PPS+PPX+PSX Guide



Order example:



A2ST - POS - 080 - 05

Nozzle series Nut/Front type L Feed dia.

- BH - R19 - Y/N - Y/N - Y/N

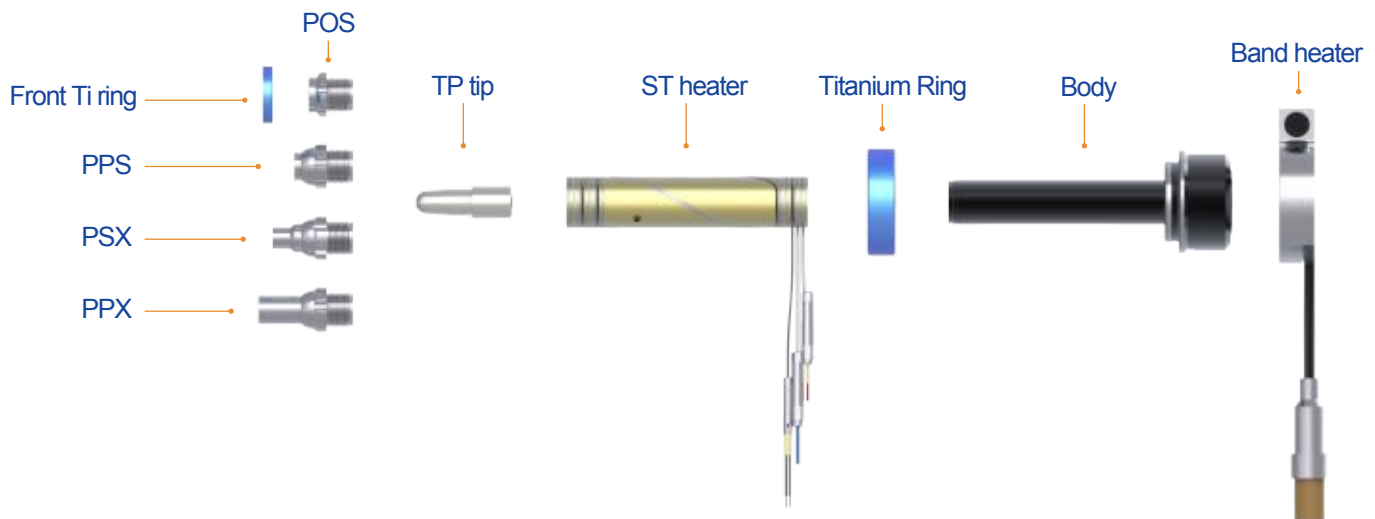
Band heater (optional) Radius (optional) Front cap (optional) Front Ti ring (optional) Ti ring (optional)

→ ST SERIES, Stack up nozzle POS+PPS+PPX+PSX Dimension

		A2ST + POS PPS PPX PSX														
Nozzle	Size	04				05					07					
	L	50	60	80	100	50	60	80	100	120	60	80	100	120	140	160
	L+	5				10(PX),6(SX)					15(PX),7(SX)					
	d1	4				5					7					
	d2	12				16					19					
	d3	T23				C30,T30					T36,T40,T50					
	d4	23				29					35					
	d5	21				27					33					
	d6	14				18					24.5					
	d7	17				23					27					
d8	1.5≥0.6				2≥0.6					3≥0.8						
Mould	L1	50.13	60.15	80.18	100.22	50.13	60.15	80.18	100.22	120.26	60.15	80.19	100.23	120.27	140.31	160.34
	L2a	1.1				2					2.5					
	L2b	1				1					1.5					
	L3	1.7				3.5					3.5					
	H	0.2				0.2					0.2					
	D1	4				5					7					
	D2	13				18					21					
	D3	T23				C30,T30					T36,T40,T50					
	D6	16				20					26.5					
	D7	17				23					27					
	D8	1.5≥0.6				2≥0.6					3≥0.8					
	D9	4.5				7.5					9					
	D10a	6				10					12					
	D10b	6				8					10					
	D10c	5				5					7					

C=Ceramic T=Titanium

→ ST SERIES, Stack up nozzle POS+PPS+PPX+PSX Spare Parts



Nozzle body spare parts list

Size	Nozzle L	Body	ST heater	Titanium Ring	Band heater	Front Ti Ring
04	50	A2BD105004	ST850500150	TIM02301708 (optional)	BH121150 (optional)	TIM00900615 (optional)
	60	A2BD106004	ST850600160			
	80	A2BD108004	ST850800230			
	100	A2BD110004	ST851000250			
05	50	A2BD105005	ST120450182	TIM03002308 (optional)	BH127150 (optional)	TIM01400803 (optional)
	60	A2BD106005	ST120550190			
	80	A2BD108005	ST120750220			
	100	A2BD110005	ST120950270			
	120	A2BD112005	ST121150282			
07	60	A2BD206007	ST150510212	TIM03602708 TIM04002708 TIM05002708 (optional)	BH233200 (optional)	TIM01601003 (optional)
	80	A2BD208007	ST150710238			
	100	A2BD210007	ST150910287			
	120	A2BD212007	ST151110299			
	140	A2BD214007	ST151310312			
	160	A2BD216007	ST151510325			

Front Assembly Spare Parts

Item code	Size 04		Item code	Size 05		Item code	Size 07	
	Nut/Front	Tip		Nut/Front	Tip		Nut/Front	Tip
A3POS030706	A3OS030706	A3TP030615	A3POS11010	A3OS11010	A3TP109271	A3POS21212	A3OS21212	A3TP211331
A3PPS030706	A3PS030706		A3PPS10810	A3PS10810		A3PPS21012	A3PS21012	
A3PPX030706	A3PX030706		A3PPX10810	A3PX10810		A3PPX21012	A3PX21012	
A3PSX030507	A3SX030507		A3PSX10510	A3SX10510		A3PSX20712	A3SX20712	



TP tip spare part list

Size	Copper
Size 04	A3TP030615
Size 05	A3TP109271
Size 07	A3TP211331

→ ST SERIES, Stack up nozzle VOS+VGS+VGX+VSX Series



VOS

- Pneumatic valve gate
- No residue on part
- Fast gate cooling

VGS

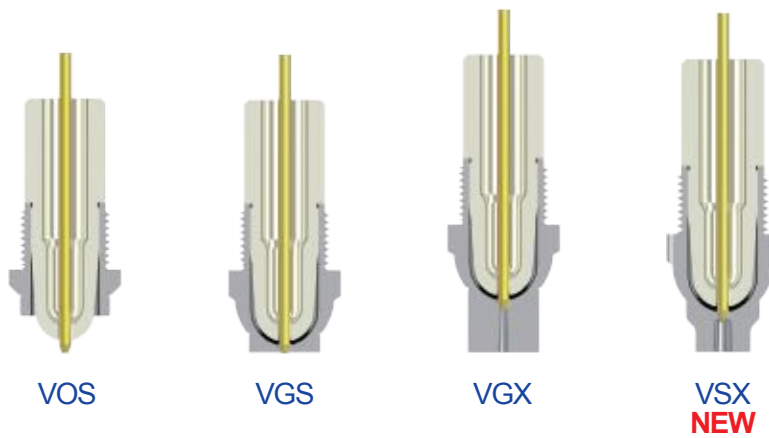
- Pneumatic valve gate
- No residue on part
- Exchangeable gate, gate separated from mould plate

VGX

- Pneumatic valve gate
- Direct gate or on a sprue gate small residue on the part
- Gating on contour or with a sprue gate
- Exchangeable gate, gate separated from mould plate

VSX

- Pneumatic valve gate
- Perfect hot to cold solution
- Direct gate on the part, reduced stringing
- Exchangeable front, gate separated from mould plate
- Excellent for glass filled resins and high temperature moulding

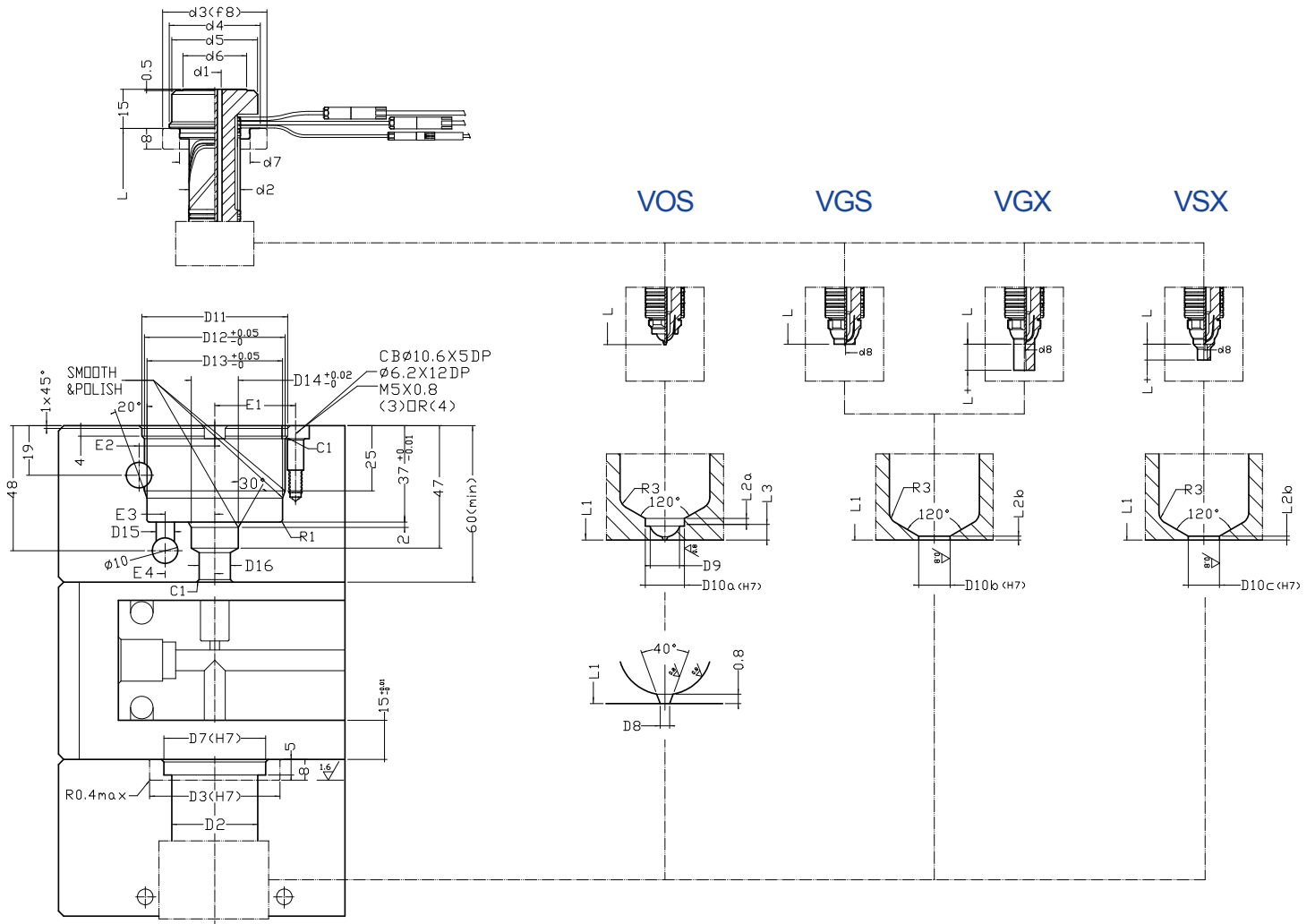


(mm)

Size	Size 05	Size 07
L	50~120	60~160
Feed Φ	5	7
Gate Φ	≥ 0.8	≥ 1.0

	Shot Weight(g)	
Low-viscosity	200	500
Medium-viscosity	80	200
High-viscosity	20	50

→ ST SERIES, Stack up nozzle VOS+VGS+VGX+VSX Guide



Order example:



A2ST - VOS - 080 - 05

Nozzle series Nut/Front type L Feed dia.

- Y/N - Y/N - Y/N

Front cap (optional) Front Ti ring (optional) Ti ring (optional)

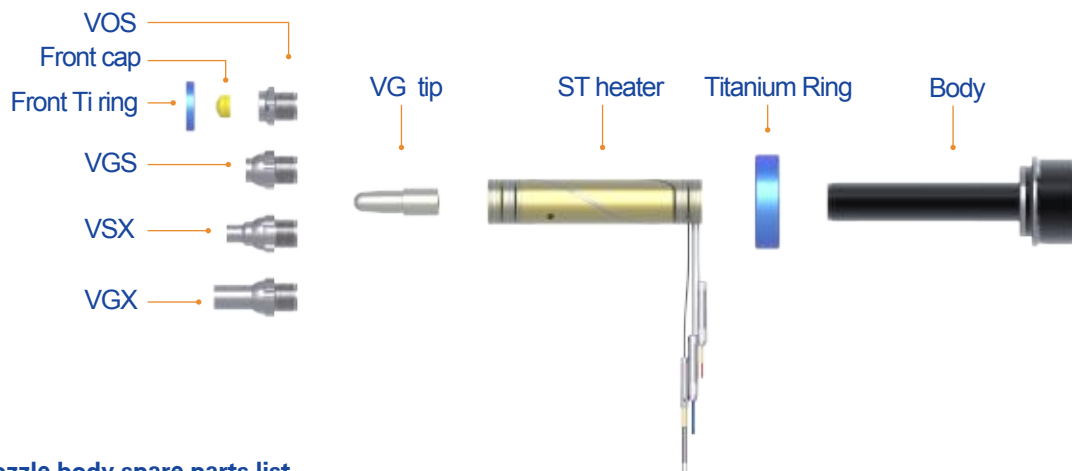
→ ST SERIES, Stack up nozzle VOS+VGS+VGX+VSX Dimension

(mm)

		A2ST + VOS VGS VGX VSX											
Nozzle	Size	05					07						
	L	50	60	80	100	120	60	80	100	120	140	160	
	L+	10(PX),6(SX)					15(PX),7(SX)						
	d1	5					7						
	d2	16					19						
	d3	C30,T30					T36,T40,T50						
	d4	29					35						
	d5	27					33						
	d6	18					24.5						
	d7	23					27						
	d8	≥0.8					≥1						
Mould	L1	50.13	60.15	80.18	100.22	120.3	60.15	80.19	100.23	120.27	140.31	160.34	
	L2a	2					2.5						
	L2b	1					1.5						
	L3	3.5					3.5						
	D2	18					21						
	D3	C30,T30					T36,T40,T50						
	D7	23					27						
	D8	≥0.8					≥1						
	D9	7.5					9						
	D10a	10					12						
	D10b	8					10						
	D10c	5					7						
	D11	42					42						
	D12	40					40						
	D13	38					38						
	D14	18					18						
	D15	6					6						
	D16	12					12						
	E1	24					24						
	E2	23					23						
E3	15					15							
E4	18					18							

d3:C=Ceramic T=Titanium

→ ST SERIES, Stack up nozzle VOS+VGS+VGX+VSX Spare Parts



Nozzle body spare parts list

Size	Nozzle L	Body	ST heater	Front cap	Titanium Ring	Front Ti Ring
05	50	A2BD105005	ST120450182	A3VGFC057939 (optional)	TIM03002308 (optional)	TIM01400803 (optional)
	60	A2BD106005	ST120550190			
	80	A2BD108005	ST120750220			
	100	A2BD110005	ST120950270			
	120	A2BD112005	ST121150282			
07	60	A2BD206007	ST150510212	A3VGFC079441 (optional)	TIM03602708 TIM04002708 TIM05002708 (optional)	TIM01601003 (optional)
	80	A2BD208007	ST150710238			
	100	A2BD210007	ST150910287			
	120	A2BD212007	ST151110299			
	140	A2BD214007	ST151310312			
	160	A2BD216007	ST151510325			

Front Assembly Spare Parts

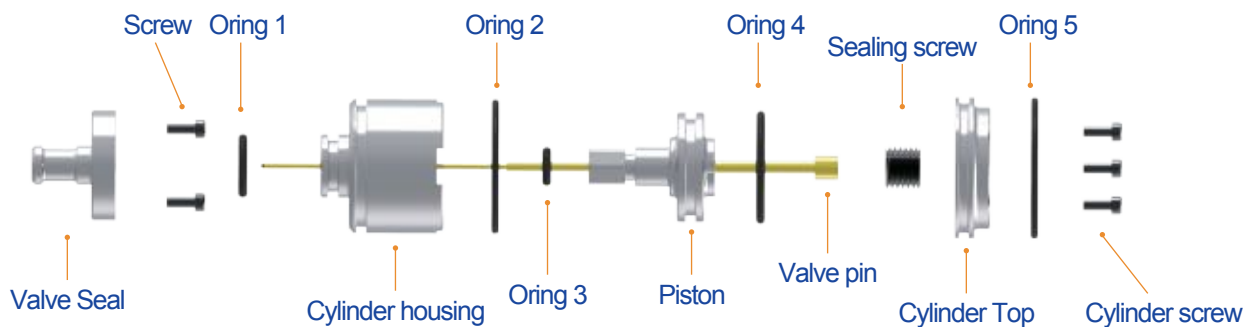
Item code	Size 05		Item code	Size 07	
	Nut/Front	Tip		Nut/Front	Tip
A3VOS110101	A3OS11010	A3TV109261	A3VOS212121	A3OS21212	A3TV211331
A3VGS108101	A3GS10810		A3VGS210121	A3GS21012	
A3VGX108101	A3GX10810		A3VGX210121	A3GX21012	
A3VSX105101	A3VX10510		A3VSX207121	A3VX20712	
A3VOS110103	A3OS11010	A3TV109263	A3VOS212123	A3OS21212	A3TV211333
A3VGS108103	A3GS10810		A3VGS210123	A3GS21012	
A3VGX108103	A3GX10810		A3VGX210123	A3GX21012	
A3VSX105103	A3VX10510		A3VSX207123	A3VX20712	



TV tip spare part list

Size	Copper		HBM-CDC
Size 05	A3TV109261	A3TVG109261	A3TV109263
Size 07	A3TV211331	-	A3TV211333

→ ST SERIES, Stack up nozzle Cylinder Spare Parts



A2ST VG Cylinder spare parts

Size	Valve seal	Cylinder housing	Piston	Cylinder top	Valve pins	Screw	Sealing screw	Cylinder screw
A2STVG05 A2STVG07	CPVS063124	CPCY063835	CPPT063136	CPCT064010	PN0415230 PN0415230-G2 PN0625260 PN0625260-G2 PN0625350 PN0625350-G2	M4X8	GS1215-10	M5X12X10

Size	O-Ring 1	O-Ring 2	O-Ring 3	O-Ring 4	O-Ring 5
A2STVG05 A2STVG07	ORIN-00228	ORIN-00234	ORIN-00227	ORIN-00233	ORIN-00235

A2ST VG Cylinder bore dimension

Size	D0	D4	D5	D9	D10	D11	E1	E2	E3	E4
ACCP15230 ACCP25260	42	6	12	40	38	18	24	23	15	18

MARKET : **CAPS AND CLOSURE**

PROJECT NO. : **E181-8666**

SOLUTION : **SHORT CYCLE TIME, MASS PRODUCTION**

HR SYSTEM/GATE : **A2 DIRECT GATE SYSTEM**

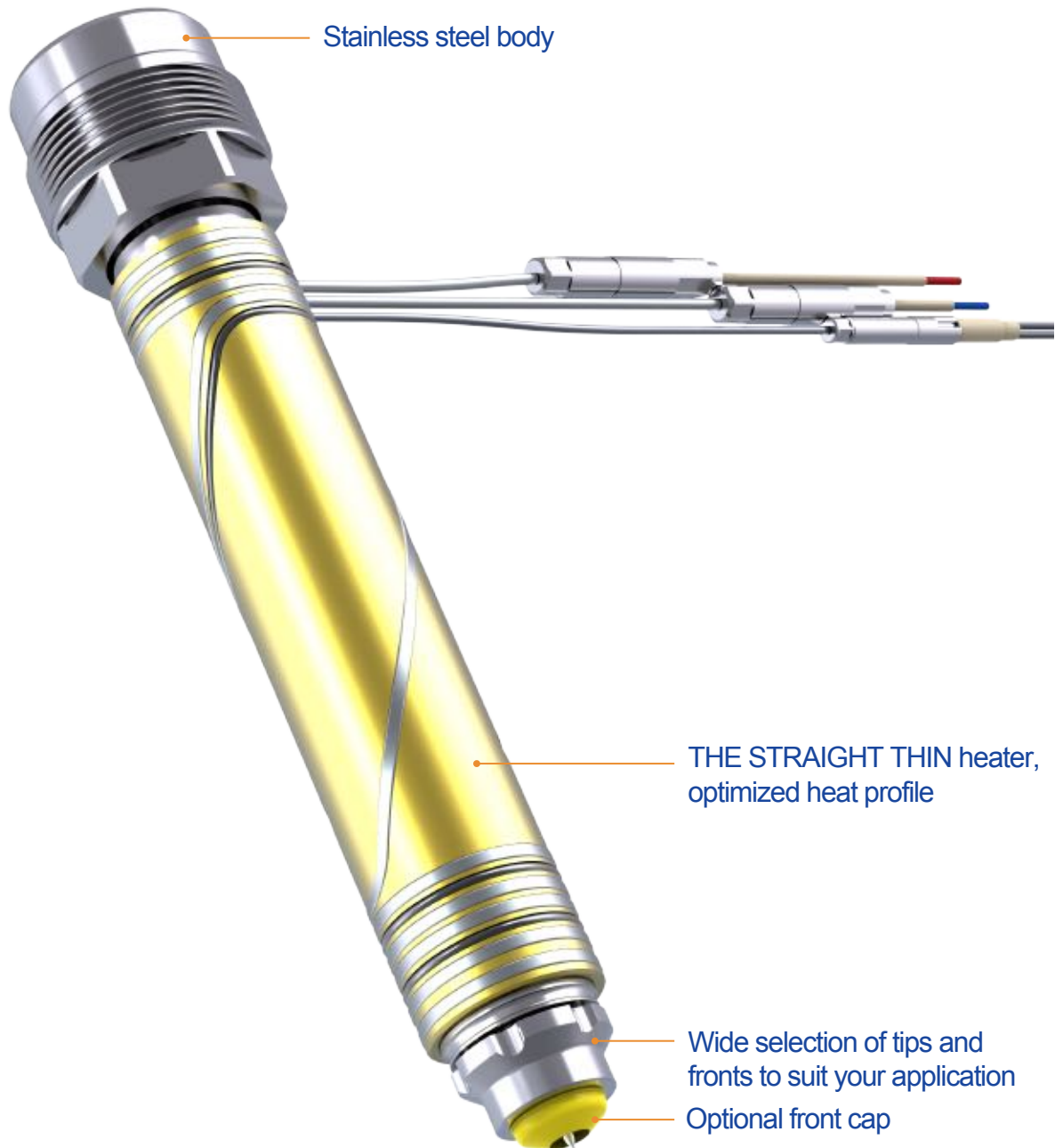
RESIN : **SCG™ PP**

PART WEIGHT : **1.55g**

GATE TYPE : **DIRECT GATE,(A2ST-NOS)**



→ STRAIGHT THIN, ST SERIES, All-In-One, Screw-in Nozzle Series



→ STRAIGHT THIN, ST SERIES, All-In-One, Screw-in Nozzle range



HOT RUNNER PERFECTION MADE BY SWEDEN; Our modular multi cavity screw in nozzle series, simplicity for easy to use and service, modularity to suit your requirement. Our STRAIGHT heater in the THIN version, tighter pitch wherever you want to have excellent temperature control of your moulding. All modular elements for this ST series are the same as used for our A2/A3 All-In-One series. using our nozzle guide.

Total of 12 front styles available with tips in one exit or three exit tips. For glass filled resins and other materials requiring wear resistant tip select our HBM or TZM tips for maximized life, available in one exit style. All tips are designed to give minimum stress to material while maintaining a stable controlled gate temperature.

THE STRAIGHT heater, regardless of melt temperature or mould temperature do we have an excellent temperature profile, STRAIGHT!



→ ST SERIES, All-In-One Nozzle NOS+NPS+NPX+NSX Series



NOS

- Topless direct gate small residue on the part
- One hole options for shear sensitive materials
- TZM one exit tips for reinforced materials

NPX

- Direct gate small residue on the part, reduced stringing
- One exit options for shear sensitive materials, TZM one exit tips for reinforced materials
- Gating on contour or with a sprue gate
- Exchangeable gate, gate separated from mould plate

NPS

- Direct gate small residue on the part, reduced stringing
- One exit options for shear sensitive materials, TZM one exit tips for reinforced materials
- Exchangeable gate, gate separated from mould plate

NSX

- Perfect hot to cold solution
- Direct gate on the part, reduced stringing
- One exit options for shear sensitive materials, TZM tips for reinforced materials
- Exchangeable front, gate separated from mould plate
- Excellent for glass filled resins and high temperature moulding



NOS



NPS



NPX

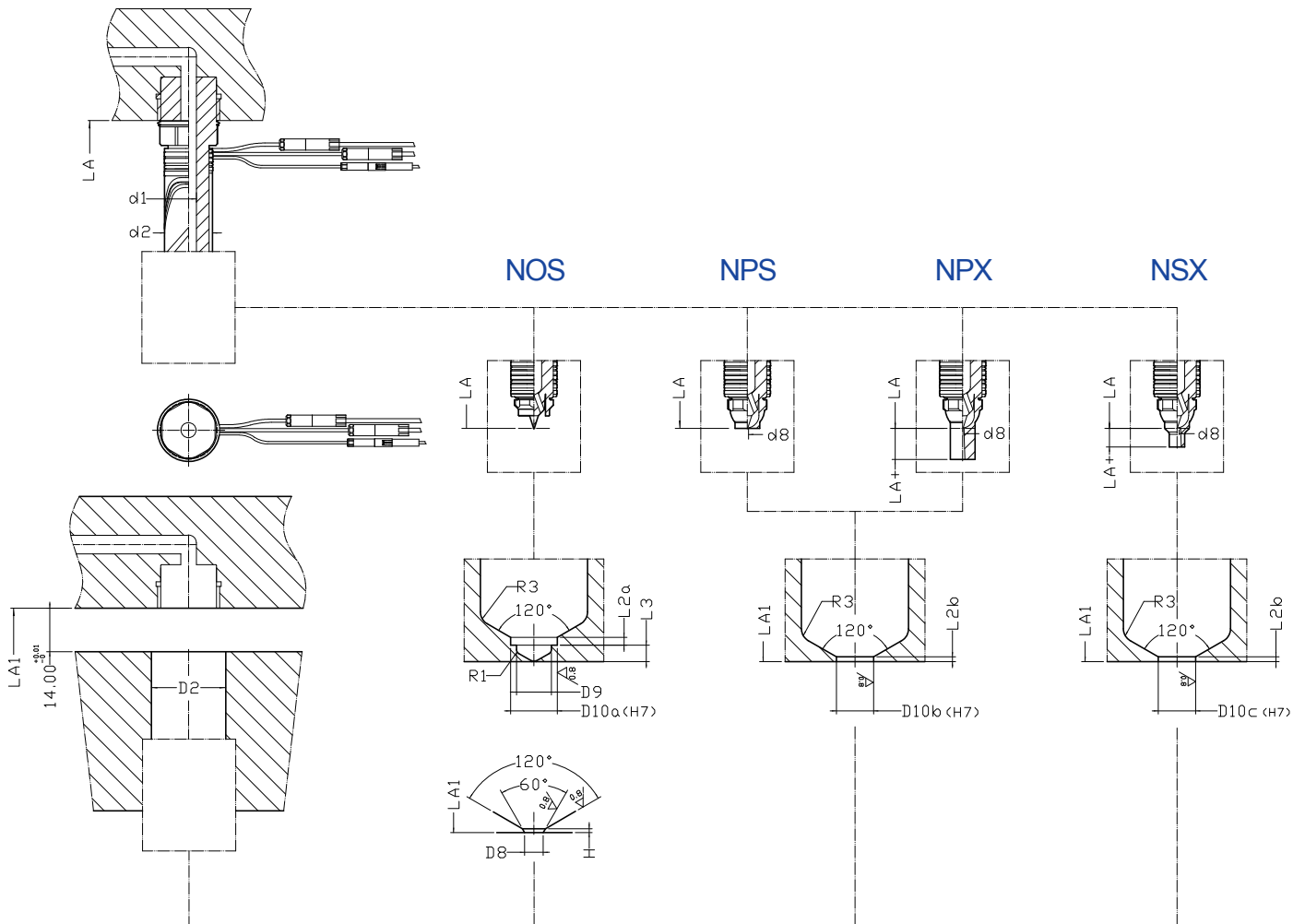


NSX
NEW

Size	Size 04	Size 05	Size 07
LA	64~114	64~134	74~174
Feed Φ	4	5	7
Gate Φ	0.6~1.5	0.6~2	0.8~3

Shot Weight(g)			
Low	80	200	400
Medium	60	100	260
High	5	20	50

→ ST SERIES, All-In-One Nozzle NOS+NPS+NPX+NSX Guide



Order example:



A3ST - NOS - 094 - 05 - 1 - 3 - Y/N - Y/N - Y/N

Nozzle series Nut/Front type LA Feed dia. Tip mat. Exits in tip Front cap (optional) Front Ti ring (optional) Ti ring (optional)

Tip codes:

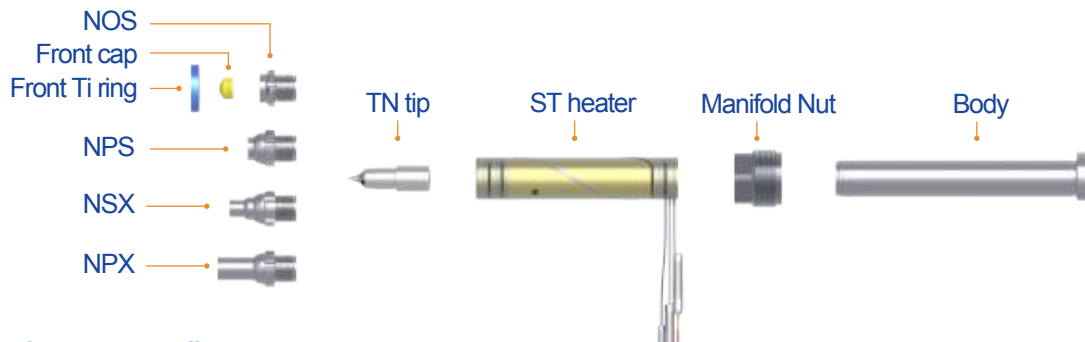
material: 1=copper alloy,3=HBM-CDC,4=TZM-SHN
Exits: 1=one exit,3=three exits

→ ST SERIES, All-In-One Nozzle NOS+NPS+NPX+NSX Dimension

(mm)

		A3ST+NOS NPS NPX NSX														
		Size	04				05					07				
Nozzle	LA	64	74	94	114	64	74	94	114	134	74	94	114	134	154	174
	LA+	6				10(PX),6(SX)					15(PX),7(SX)					
	d1	4				5					7					
	d2	12				16					19					
	d8	1.5≥0.6				2≥0.6					3≥0.8					
Mould	LA1	64.15	74.17	94.21	114.25	64.15	74.17	94.21	114.25	134.29	74.17	94.21	114.25	134.29	154.33	174.37
	L2a	1.1				2					2.5					
	L2b	1				1					1.5					
	L3	1.7				3.5					3.5					
	H	0.2				0.2					0.2					
	D2	13				18					21					
	D8	1.5≥0.6				2≥0.6					3≥0.8					
	D9	4.5				7.5					9					
	D10a	6				10					12					
	D10b	6				8					10					
	D10c	5				5					7					

→ ST SERIES, All-In-One Nozzle NOS+NPS+NPX+NSX Spare Parts



Nozzle body spare parts list

Size	Nozzle L	Body	ST heater	Manifold Nut	Front cap	Front Ti Ring
04	64	A3BD106404	ST850500150	A3KG1413	A3FC044724 (optional)	TIM00900615 (optional)
	74	A3BD107404	ST850600160			
	94	A3BD109404	ST850800230			
	114	A3BD111404	ST851000250			
05	64	A3BD106405	ST120450182	A3KG2016	A3FC057939 (optional)	TIM01400803 (optional)
	74	A3BD107405	ST120550190			
	94	A3BD109405	ST120750220			
	114	A3BD111405	ST120950270			
	134	A3BD113405	ST121150282			
07	74	A3BD207407	ST150510212	A3KG2416	A3FC079443 (optional)	TIM01601003 (optional)
	94	A3BD209407	ST150710238			
	114	A3BD211407	ST150910287			
	134	A3BD213407	ST151110299			
	154	A3BD215407	ST151310312			
	174	A3BD217407	ST151510325			

Front Assembly Spare Part

Item code	Size 04		Item code	Size 05		Item code	Size 07	
	Nut/Front	Tip		Nut/Front	Tip		Nut/Front	Tip
A3NOS0307061-1	A3OS030706	A3TN0306161-1	A3NOS110101-1	A3OS11010	A3TN109281-1	A3NOS212121-1	A3OS21212	A3TN211351-1
A3NOS0307061-2		A3TN0306161-2	A3NOS110103-1		A3TN109283-1	A3NOS212123-1		A3TN211353-1
A3NOS0307063-1		A3TN0306163-1	A3NOS110104-1		A3TN109284-1	A3NOS212124-1		A3TN211354-1
A3NPS0307061-1	A3PS030706	A3TN0306161-1	A3NOS110101-3	A3PS10810	A3TN109281-3	A3NOS212121-3	A3PS21012	A3TN211351-3
A3NPS0307061-2		A3TN0306161-2	A3NPS108101-1		A3TN109281-1	A3NPS210121-1		A3TN211351-1
A3NPS0307063-1		A3TN0306163-1	A3NPS108103-1		A3TN109283-1	A3NPS210123-1		A3TN211353-1
A3NPX0307061-1	A3PX030706	A3TN0306161-1	A3NPS108104-1	A3PX10810	A3TN109284-1	A3NPS210124-1	A3PX21012	A3TN211354-1
A3NPX0307061-2		A3TN0306161-2	A3NPS108101-3		A3TN109281-3	A3NPS210121-3		A3TN211351-3
A3NPX0307063-1		A3TN0306163-1	A3NPX108101-1		A3TN109281-1	A3NPX210121-1		A3TN211351-1
A3NSX0305071-1	A3SX030507	A3TN0306161-1	A3NPX108103-1	A3SX10510	A3TN109283-1	A3NPX210123-1	A3SX20712	A3TN211353-1
A3NSX0305071-2		A3TN0306161-2	A3NPX108104-1		A3TN109284-1	A3NPX210124-1		A3TN211354-1
A3NSX0305073-1		A3TN0306163-1	A3NPX108101-3		A3TN109281-3	A3NPX210121-3		A3TN211351-3
			A3NSX105101-1		A3TN109281-1	A3NSX207121-1		A3TN211351-1
		A3NSX105103-1	A3NSX105103-1	A3TN109283-1	A3NSX207123-1	A3TN211353-1		
		A3NSX105104-1	A3NSX105104-1	A3TN109284-1	A3NSX207124-1	A3TN211354-1		
		A3NSX105101-3	A3NSX105101-3	A3TN109281-3	A3NSX207121-3	A3TN211351-3		



TN tip spare part list

Size	1 exit			3 exits copper
	copper	HBM-CDC	TZM-SHN	
Size 04	A3TN0306161-1	A3TN0306163-1	*	*
	A3TN0306161-2			
Size 05	A3TN109281-1	A3TN109283-1	A3TN109284-1	A3TN109281-3
Size 07	A3TN211351-1	A3TN211353-1	A3TN211354-1	A3TN211351-3

→ ST SERIES, All-In-One Nozzle POS+PPS+PPX+PSX Series



POS

- Topless direct gate or on a sprue gate
- Open flow little shear stress
- Fast gate cooling

PPS

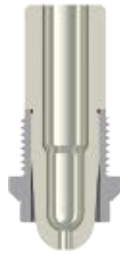
- Topless direct gate or on a sprue gate
- Open flow little shear stress
- Exchangeable gate, gate separated from mould plate

PPX

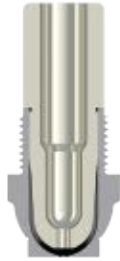
- Direct gate or on a sprue gate small residue on the part
- Open flow little shear stress
- Gating on contour or with a sprue gate
- Exchangeable gate, gate separated from mould plate

PSX

- Perfect hot to cold solution
- Direct gate on the part, reduced stringing
- Exchangeable front, gate separated from mould plate
- Excellent for glass filled resins and high temperature moulding



POS



PPS



PPX



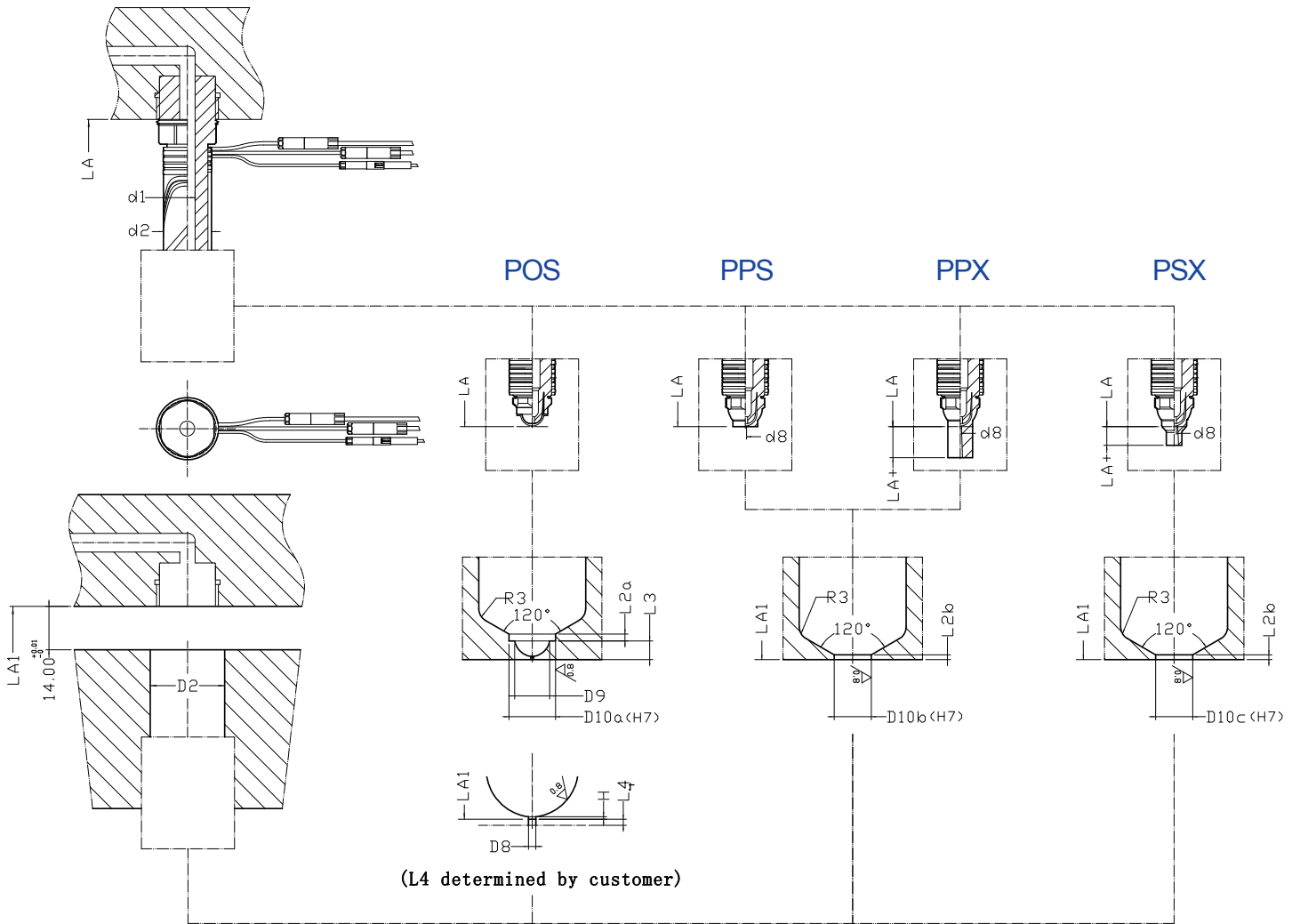
PSX
NEW

(mm)

Size	Size 04	Size 05	Size 07
LA	64~114	64~134	74~174
Feed Φ	4	5	7
Gate Φ	0.6~1.5	0.6~2	0.8~3

Shot Weight(g)			
Low-viscosity	100	300	600
Medium-viscosity	60	125	310
High-viscosity	7	25	60

→ ST SERIES, All-In-One Nozzle POS+PPS+PPX+PSX Guide



Order example:



A3ST - POS - 094 - 05

Nozzle series Nut/Front type LA Feed dia.

- Y/N - Y/N - Y/N

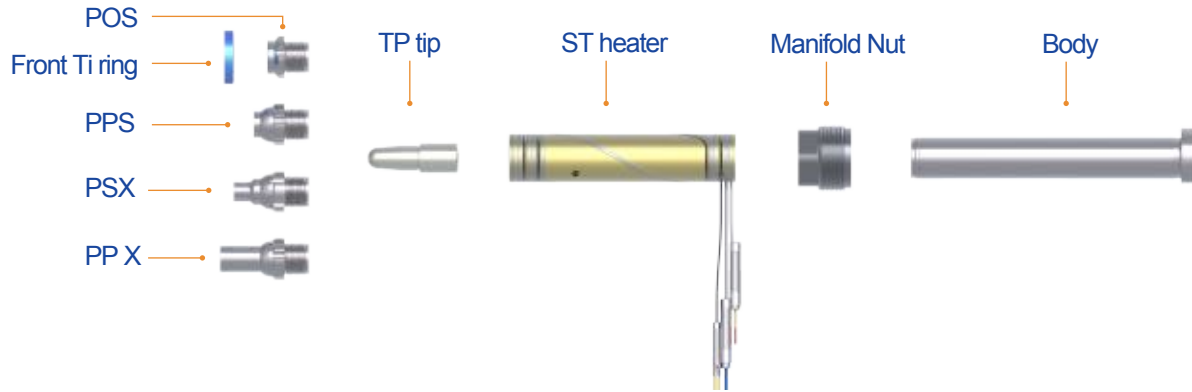
Front cap (optional) Front Ti ring (optional) Ti ring (optional)

→ ST SERIES, All-In-One Nozzle POS+PPS+PPX+PSX Dimension

(mm)

A3ST+POS PPS PPX PSX																	
Nozzle	Size	04					05					07					
	LA	64	74	94	114	134	64	74	94	114	134	74	94	114	134	154	174
	LA+	6					10(PX),6(SX)					15(PX),7(SX)					
	d1	4					5					7					
	d2	12					16					19					
	d8	1.5≥0.6					2≥0.6					3≥0.8					
Mould	LA1	64.15	74.17	94.21	114.25	134.29	64.15	74.17	94.21	114.25	134.29	74.17	94.21	114.25	134.29	154.33	174.37
	L2a	1.1					2					2.5					
	L2b	1					2					2					
	L3	1.7					3.5					3.5					
	H	0.2					0.2					0.2					
	D2	13					18					21					
	D8	1.5≥0.6					2≥0.6					3≥0.8					
	D9	4.5					7.5					9					
	D10a	6					10					12					
	D10b	6					8					10					
	D10c	5					5					7					

→ ST SERIES, All-In-One Nozzle POS+PPS+PPX+PSX Spare Parts



Nozzle body spare parts list

Size	Nozzle L	Body	ST heater	Manifold Nut	Front Ti Ring
04	64	A3BD106404	ST850500150	A3KG1413	TIM00900615 (optional)
	74	A3BD107404	ST850600160		
	94	A3BD109404	ST850800230		
	114	A3BD111404	ST851000250		
05	64	A3BD106405	ST120450182	A3KG2016	TIM01400803 (optional)
	74	A3BD107405	ST120550190		
	94	A3BD109405	ST120750220		
	114	A3BD111405	ST120950270		
	134	A3BD113405	ST121150282		
07	74	A3BD207407	ST150510212	A3KG2416	TIM01601003 (optional)
	94	A3BD209407	ST150710238		
	114	A3BD211407	ST150910287		
	134	A3BD213407	ST151110299		
	154	A3BD215407	ST151310312		
	174	A3BD217407	ST151510325		

Front Assembly Spare Parts

Item code	Size 04		Item code	Size 05		Item code	Size 07	
	Nut/Front	Tip		Nut/Front	Tip		Nut/Front	Tip
A3POS030706	A3OS030706	A3TP030615	A3P0S11010	A3OS11010	A3TP109271	A3POS21212	A3OS21212	A3TP211331
A3PPS030706	A3PS030706		A3PPS10810	A3PS10810		A3PPS21012	A3PS21012	
A3PPX030706	A3PX030706		A3PPX10810	A3PX10810		A3PPX21012	A3PX21012	
A3PSX030507	A3SX030507		A3PSX10510	A3SX10510		A3PSX20712	A3SX20712	



TP tip spare part list

Size	Copper
Size 04	A3TP030615
Size 05	A3TP109271
Size 07	A3TP211331

→ ST SERIES, All-In-One Nozzle VOS+VGS+VGX+VSX Series



VOS

- Pneumatic valve gate
- No residue on part
- Fast gate cooling

VGS

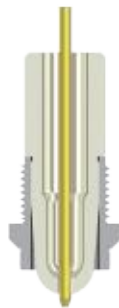
- Pneumatic valve gate
- No residue on part
- Exchangeable gate, gate separated from mould plate

VGX

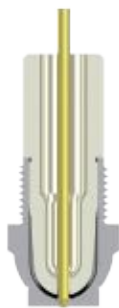
- Pneumatic valve gate
- Direct gate or on a sprue gate small residue on the part
- Gating on contour or with a sprue gate
- Exchangeable gate, gate separated from mould plate

VSX

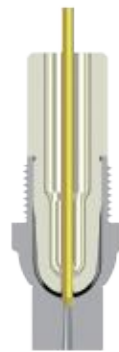
- Pneumatic valve gate
- Perfect hot to cold solution
- Direct gate on the part, reduced stringing
- Exchangeable front, gate separated from mould plate
- Excellent for glass filled resins and high temperature moulding



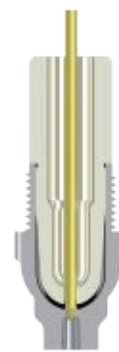
VOS



VGS



VGX

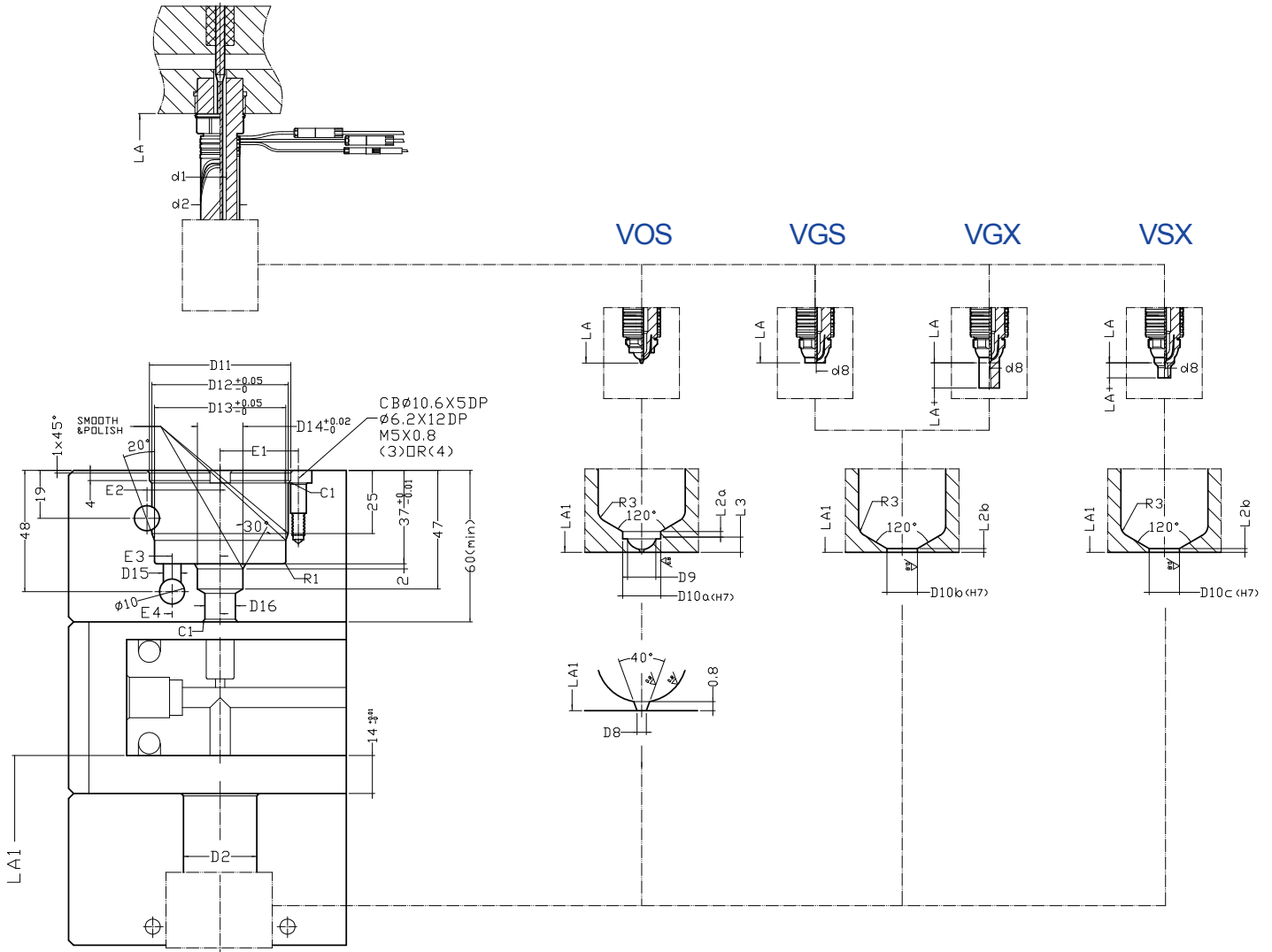


VSX
NEW

Size	Size 05	Size 07
LA	64~134	74~174
Feed Φ	5	7
Gate Φ	≥ 0.8	≥ 1.0

Shot Weight(g)		
Low	200	500
Medium	80	200
High	20	50

→ ST SERIES, All-In-One Nozzle VOS+VGS+VGX+VSX Guide



Order example:



A3ST - VOS - 094 - 05

Nozzle series Nut/Front type LA Feed dia.

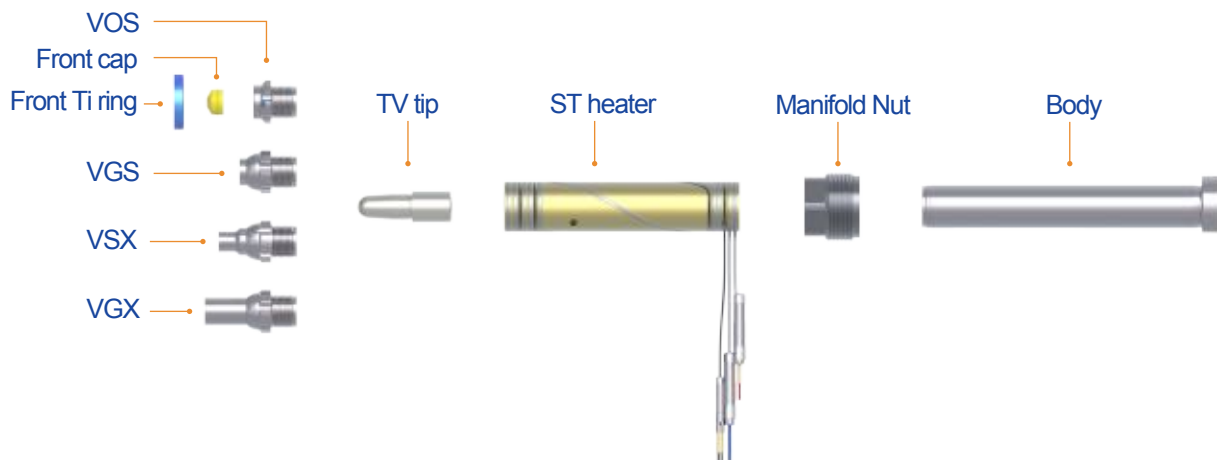
- Y/N - Y/N - Y/N

Front cap (optional) Front Ti ring (optional) Ti ring (optional)

→ ST SERIES, All-In-One Nozzle VOS+VGS+VGX+VSX Dimension

A3ST + VOS VGS VGX VSX												
Nozzle	Size	05					07					
	LA	64	74	94	114	134	74	94	114	134	154	174
	LA+	10(PX),6(SX)					15(PX),7(SX)					
	d1	5					7					
	d2	16					19					
	d8	≥0.8					≥1.0					
Mould	LA1	64.15	74.17	94.21	114.25	134.29	74.17	94.21	114.25	134.29	154.33	174.37
	L2a	2					2.5					
	L2b	1					1.5					
	L3	3.5					3.5					
	D2	18					21					
	D8	≥0.8					≥1.0					
	D9	7.5					9					
	D10a	10					12					
	D10b	8					10					
	D10c	5					7					
	D11	42					42					
	D12	40					40					
	D13	38					38					
	D14	18					18					
	D15	6					6					
	D16	12					12					
	E1	24					24					
	E2	23					23					
	E3	15					15					
E4	18					18						

→ ST SERIES, All-In-One Nozzle VOS+VGS+VGX+VSX Spare Parts



Nozzle body spare parts list

Size	Nozzle LA	Body	ST heater	Manifold Nut	Front cap	Front Ti Ring
05	64	A3BD106405	ST120450182	A3KG2016	A3VGFC057939 (optional)	TIM01400803 (optional)
	74	A3BD107405	ST120550190			
	94	A3BD109405	ST120750220			
	114	A3BD111405	ST120950270			
	134	A3BD113405	ST121150282			
07	74	A3BD207407	ST150510212	A3KG2416	A3VGFC079441 (optional)	TIM01601003 (optional)
	94	A3BD209407	ST150710238			
	114	A3BD211407	ST150910287			
	134	A3BD213407	ST151110299			
	154	A3BD215407	ST151310312			
	174	A3BD217407	ST151510325			

Front Assembly Spare Parts

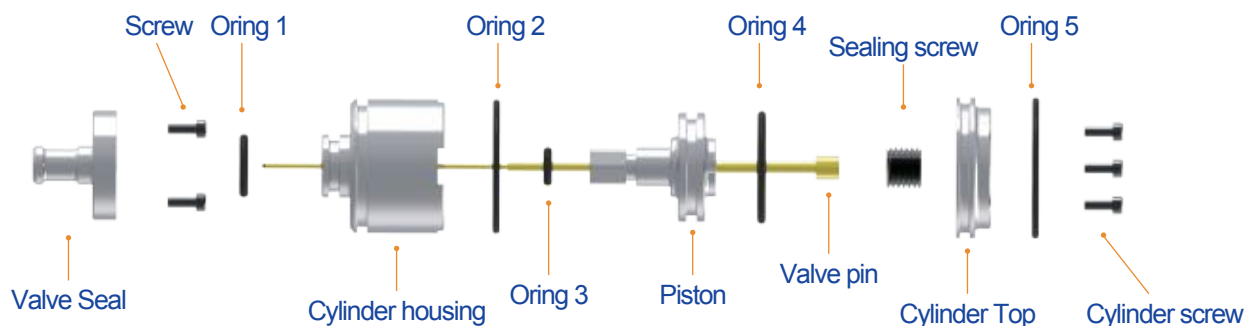
Item code	Size 05		Item code	Size 07	
	Nut/Front	Tip		Nut/Front	Tip
A3VOS110101	A3OS11010	A3TV109261	A3VOS212121	A3OS21212	A3TV211331
A3VGS108101	A3GS10810		A3VGS210121	A3GS21012	
A3VGX108101	A3GX10810		A3VGX210121	A3GX21012	
A3VSX105101	A3VX10510		A3VSX207121	A3VX20712	
A3VOS110103	A3OS11010	A3TV109263	A3VOS212123	A3OS21212	A3TV211333
A3VGS108103	A3GS10810		A3VGS210123	A3GS21012	
A3VGX108103	A3GX10810		A3VGX210123	A3GX21012	
A3VSX105103	A3VX10510		A3VSX207123	A3VX20712	



TV tip spare part list

Size	Copper	HBM-CDC
Size 05	A3TV109261	A3TV109263
Size 07	A3TV211331	A3TV211333

→ ST SERIES, All-In-One Nozzle Cylinder Spare Parts



A3ST VG Cylinder spare parts

Size	Valve seal	Cylinder housing	Piston	Cylinder top	Valve pins	Screw	Sealing screw	Cylinder screw
A3STVG05 A3STVG07	CPVS063124	CPCY063835	CPPT063136	CPCT064010	PN0415230 PN0415230-G2 PN0625260 PN0625260-G2 PN0625350 PN0625350-G2	M4X8	GS1215-10	M5X12X10

Size	O-Ring 1	O-Ring 2	O-Ring 3	O-Ring 4	O-Ring 5
A3STVG05 A3STVG07	ORIN-00228	ORIN-00234	ORIN-00227	ORIN-00233	ORIN-00235

A3ST VG Cylinder bore dimension

(mm)

Size	D0	D4	D5	D9	D10	D11	E1	E2	E3	E4
ACCP15230 ACCP25260	42	6	12	40	38	18	24	23	15	18

→ A2/3 STRAIGHT THIN COOL SAMPLE

MARKET	:	AUTOMOTIVE
PROJECT NO.	:	E180-9466
SOLUTION	:	ANGLED INJECTION, STRAIGHT HEATER
HR SYSTEM/GATE	:	A3-VALVE GATE SYSTEM, DIRECT GATE
RESIN	:	ULTRAMID® B3WG8 BK564(PA6+GF40)
PART WEIGHT	:	80g
GATE TYPE	:	DIRECT GATE,(A3ST-VOS)





SB SINGLE NOZZLE SERIES

Our work horse, a marvel in heater technology, built for performance! Cold sprue replacer



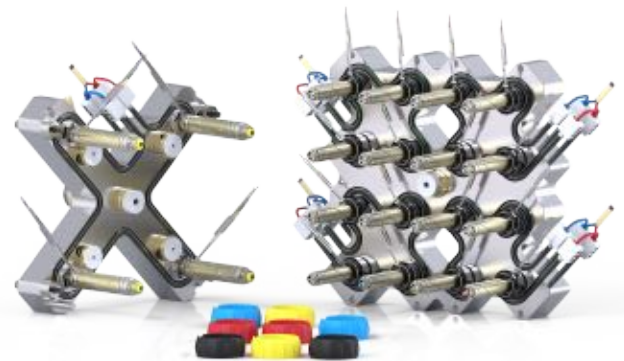
ST ENGINEERING SERIES

A super thin nozzle using, genius heater technology, ensures performance for demanding resins.



SB SCREW IN SERIES

Screw in version for smaller hot runner systems, tailor made for demanding resins.



ST CAPS AND CLOSURE SERIES

A super thin nozzle, masterpiece of compact heater technology, high cavitation moulds we high demands of performance.



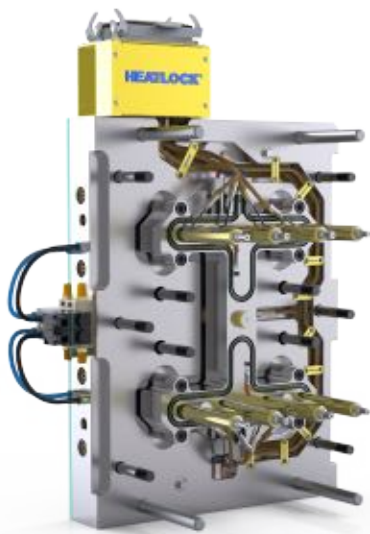
CE-FIX CERAMICS

Ceramic Clamp Technology (CE Fix) is an innovative and time tested solution of Ceramic Insulation Technology



A3 PRE-WIRED PERFECTION

Fully Assembled and pre-wired Hot Runner systems with Cable Ducting to fit your unique Mould design



A3 FAST HALF PERFECTION

Our fast and simple Hot Runner solution is assembled and pre-wired to the Fast Half Plate. Designed to fit to your Mould and quickly remove when Mould requires maintenance.



HOT HALF PERFECTION

Fully assembled and tested Hot Half designed for reliability and longevity. Simple to install and service for a variety of Mold Base standards. Fully compatible to Global Design standards.

HEATLOCK®

**Hong Kong:
Heatlock Co Ltd**

Witty Commercial Building, 9-FL, Room 12/F,
1A-1L Tung Choi Street, Mong Kok, KLN, Hong Kong
T: +852 8120 5469

China PRC:

Ramada Plaza, Room 1108, Building 1, Beijiao Town
Shunde District, Foshan City, Guangdong, PRC
Postal code: 528311
T: +86 757 2991 5868

Order & info:

frontdesk@heatlock.com



To find one of our dedicated Heatlock technology or service centres
please visit our website www.heatlock.com

