

HT 1000 T1

80 ÷ 100°C / 176 ÷ 212°F



OSAS + OSM = OVER STROKE ACTIVE SAFETY + OVER STROKE MARKER



Il nuovo codice sarà fornito solo ad esaurimento del vecchio
The new code will be supplied only when the old will be out of stock

ACTIVE SAFETY

Der neue Kode wird nur angegeben, wenn der alte nicht mehr lieferbar ist



Le nouveau code sera fourni uniquement lorsque le vieux stock sera écoulé



El nuevo código será suministrado sólo cuando se agoten las existencias del antiguo

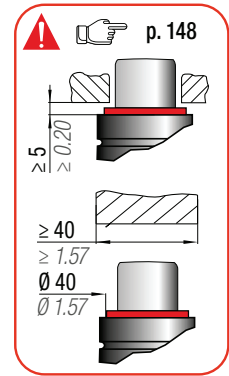
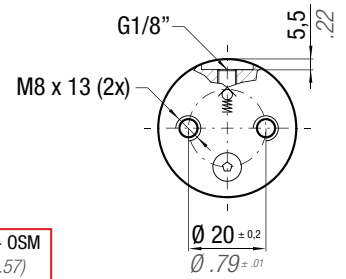
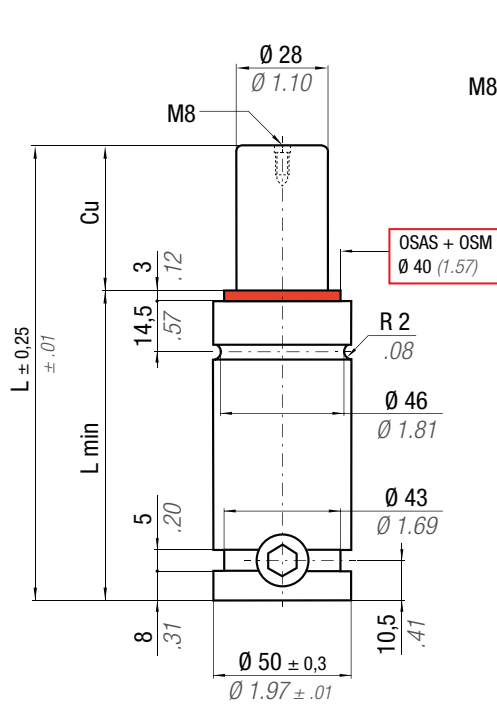


O novo código irá ser fornecido apenas quando o antigo esgotar stock

easu MANIPOL p. 247

* F_{1i} = Isothermal end force at 100% Cu p. 16

** F_{1p} = Polytropic end force at 100% Cu

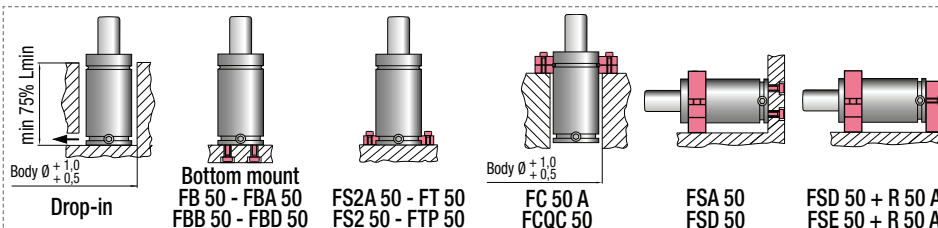


		80 - 100 °C 176 - 212 °F	ΔP ± 0,33 %/°C	P max 125 bar 1813 psi	P min 20 bar 290 psi	S 6,15 cm ² 0,953 in ²	SPM ~ 5 ÷ 20	Max Speed 1 m/s	Maintenance kit 39BMHT01000A
--	--	-----------------------------	---------------------------	-------------------------------------	-----------------------------------	---	------------------------	---------------------------	--

CODE PHASING OUT from 04/2021	NEW	Cu		L		L min		F ₀		F _{1i} *		F _{1p} **		V ₀		PED 2014/68/EU																																																																																																													
		mm	inch	mm	inch	mm	inch	daN	lb	daN	lb	daN	lb	cm ³	in ³		~Kg	~lb																																																																																																											
HT 1000-013-A-T1	HT 1000-013-B-T1	13	0.50	120,7	4.74	107,7	4.24	770	1731	1252	2814	1435	3225	40	2.47	1,21	2.67	✓																																																																																																											
HT 1000-025-A-T1	HT 1000-025-B-T1	25	0.98	145	5.71	120	4.72												970	2181	1373	3088	1632	3668	59	3.60	1,32	2.91	✓																																																																																																
HT 1000-038-A-T1	HT 1000-038-B-T1	38	1.50	171	6.73	133	5.24																							1542	3465	1915	4305	1577	3545	1976	4442	143	8.70	1,78	3.92	✓																																																																																			
HT 1000-050-A-T1	HT 1000-050-B-T1	50	1.97	195	7.68	145	5.71																																				1568	3525	1960	4407	1577	3545	1976	4442	143	8.70	1,78	3.92	✓																																																																						
HT 1000-063-A-T1	HT 1000-063-B-T1	63	2.48	221	8.74	158	6.22																																																	1577	3545	1976	4442	1577	3545	1976	4442	143	8.70	1,78	3.92	✓																																																									
HT 1000-075-A-T1	HT 1000-075-B-T1	75	2.95	245	9.65	170	6.69																																																														1606	3611	2027	4557	1606	3611	2027	4557	173	10.56	1,96	4.32	✓																																												
HT 1000-080-A-T1	HT 1000-080-B-T1	80	3.15	255	10.04	175	6.89																																																																											1632	3668	2072	4657	1632	3668	2072	4657	211	12.88	2,17	4.78	✓																															
HT 1000-100-A-T1	HT 1000-100-B-T1	100	3.94	295	11.61	195	7.68																																																																																								1650	3709	2104	4729	1650	3709	2104	4729	249	15.20	2,38	5.25	✓																		
HT 1000-125-A-T1	HT 1000-125-B-T1	125	4.92	345	13.58	220	8.66																																																																																																					1656	3722	2114	4753	1656	3722	2114	4753	264	16.13	2,46	5.42	✓					
HT 1000-150-A-T1	HT 1000-150-B-T1	150	5.91	395	15.55	245	9.65																																																																																																																		1663	3739	2128	4783	1663
HT 1000-160-A-T1	HT 1000-160-B-T1	160	6.30	415	16.34	255	10.04	1674	3763	2146	4825	1674	3763	2146	4825	325	19.84	2,79																																																																																																											
HT 1000-175-A-T1	HT 1000-175-B-T1	175	6.89	445	17.52	270	10.63												1689	3797	2174	4887	1689	3797	2174	4887	401	24.48	3,21																																																																																																
HT 1000-200-A-T1	HT 1000-200-B-T1	200	7.87	495	19.49	295	11.61																							1700	3821	2193	4929	1700	3821	2193	4929	477	29.13	3,63	8.00	✓																																																																																			
HT 1000-250-A-T1	HT 1000-250-B-T1	250	9.84	595	23.43	345	13.58																																																																																																																						
HT 1000-300-A-T1	HT 1000-300-B-T1	300	11.81	695	27.36	395	15.55																																																																																																																						

◆ Disposable

End force at 100°C / 212°F



HOW TO ORDER

p. 149

INSTALLATION GUIDELINE

p. 205