



OSAS + OSM = **OVER STROKE ACTIVE SAFETY** + **OVER STROKE MARKER**

ACTIVE SAFETY



OSAS



USAS



OPAS

Il nuovo codice sarà fornito solo ad esaurimento del vecchio

The new code will be supplied only when the old will be out of stock

Der neue Kode wird nur angegeben, wenn der alte nicht mehr lieferbar ist

Le nouveau code sera fourni uniquement lorsque le vieux stock sera écoulé

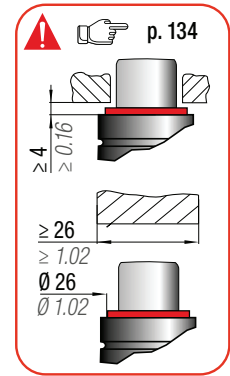
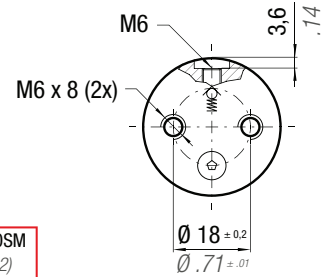
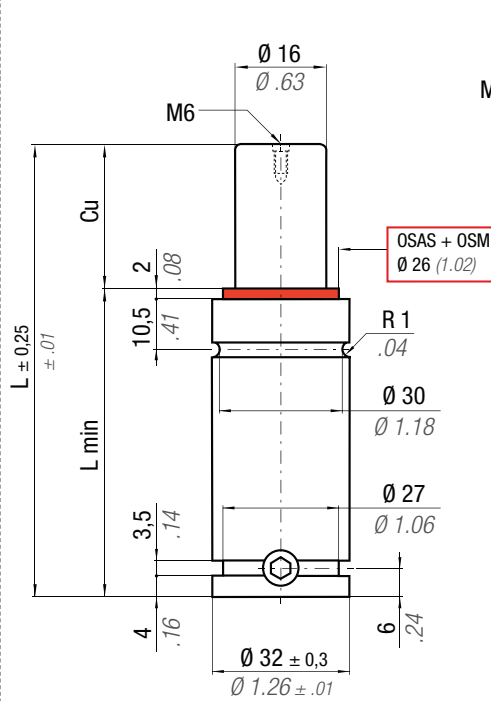
El nuevo código será suministrado sólo cuando se agoten las existencias del antiguo

O novo código irá ser fornecido apenas quando o antigo esgotar stock

easu MANIPOL p. 247

* F_{1i} = Isothermal end force at 100% Cu p. 16

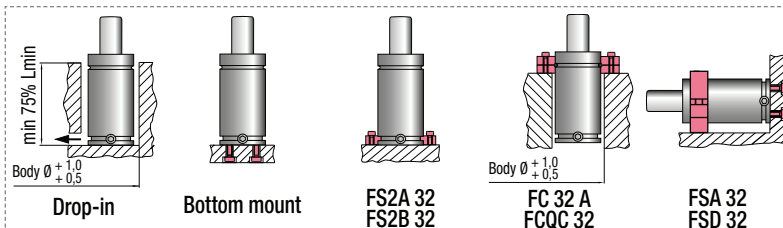
** F_{1p} = Polytrophic end force at 100% Cu



N₂	0 - 80 °C 32 - 176 °F	ΔP ± 0,33 %/°C	P max 150 bar 2175 psi	P min 20 bar 290 psi	S 2,01 cm ² 0,312 in ²	SPM ~ 30 ÷ 100 (at 20°C)	Max Speed 1,8 m/s	Maintenance kit 39BMH00300B
----------------------	--------------------------	---------------------------	-------------------------------------	-----------------------------------	---	---------------------------------------	-----------------------------	---------------------------------------

CODE PHASING OUT from 04/2021	NEW	Cu		L		L min		F ₀		F _{1i} *		F _{1p} **		V ₀		PED 2014/68/EU		
		mm	inch	mm	inch	mm	inch	daN	lb	daN	lb	daN	lb	cm ³	in ³		~Kg	~lb
H 300 - 010 - C	♦ H 300 - 010 - D	10	0.39	70	2.76	60	2.36	300 ± 5% 150 bar 2175 psi + 20 °C +68 °F	674	372	837	418	939	12,4	0.76	0,22	0.49	✓
H 300 - 013 - C	H 300 - 013 - D	13	0.51	75,7	2.98	62,7	2.47			386	867	437	983	14,0	0.85	0,23	0.51	✓
H 300 - 016 - C	H 300 - 016 - D	16	0.63	82	3.23	66	2.60			394	887	451	1013	16,0	0.98	0,24	0.53	✓
H 300 - 025 - C	H 300 - 025 - D	25	0.98	100	3.94	75	2.95			416	934	483	1086	21,3	1.30	0,26	0.57	✓
H 300 - 038 - C	H 300 - 038 - D	38	1.50	126	4.96	88	3.46			434	976	512	1150	29,0	1.77	0,31	0.68	✓
H 300 - 050 - C	H 300 - 050 - D	50	1.97	150	5.91	100	3.94			445	999	528	1188	36,1	2.20	0,35	0.77	✓
H 300 - 063 - C	H 300 - 063 - D	63	2.48	176,5	6.95	113,5	4.47			451	1014	539	1212	44,1	2.69	0,39	0.86	✓
H 300 - 080 - C	H 300 - 080 - D	80	3.15	210	8.27	130	5.12			460	1033	552	1242	53,9	3.29	0,44	0.97	✓
H 300 - 100 - C	H 300 - 100 - D	100	3.94	250	9.84	150	5.91			465	1046	562	1262	65,8	4.02	0,51	1.12	✓
H 300 - 125 - C	H 300 - 125 - D	125	4.92	300	11.81	175	6.89			476	1070	579	1301	78,9	4.81	0,59	1.30	✓

♦ Disposable



HOW TO ORDER

p. 135

INSTALLATION GUIDELINE

p. 205