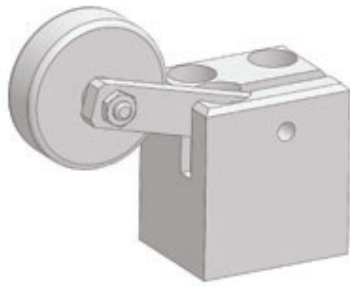
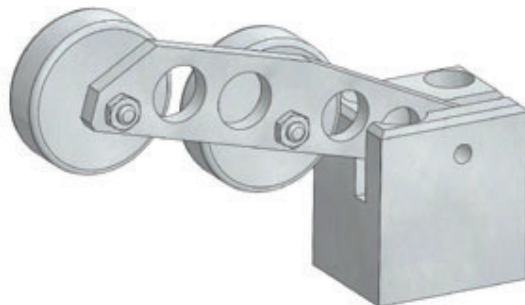
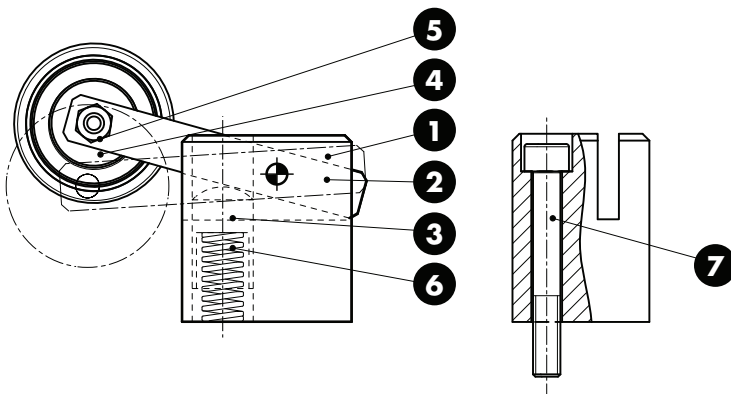


ROLLER STOCK LIFTER - FEDERENDE LAUFROLLE - RULLINO SOLLEVAMENTO NASTRO

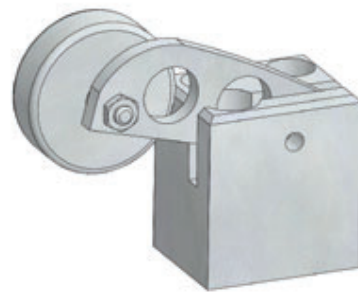


39V 1569/1

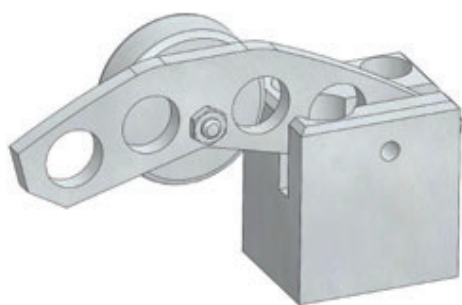
Notes	
1	Material: C15
2	Material: S235JRG2K
3	Material: 42CrMo4
5	Material: Steel
6	Spring
7	Screws M8x60 DIN 912



39V 1569/2



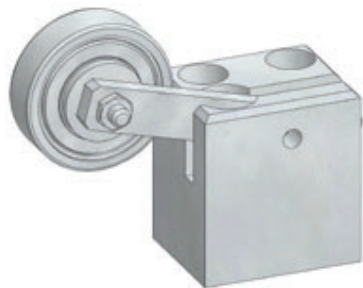
39V 1569/3



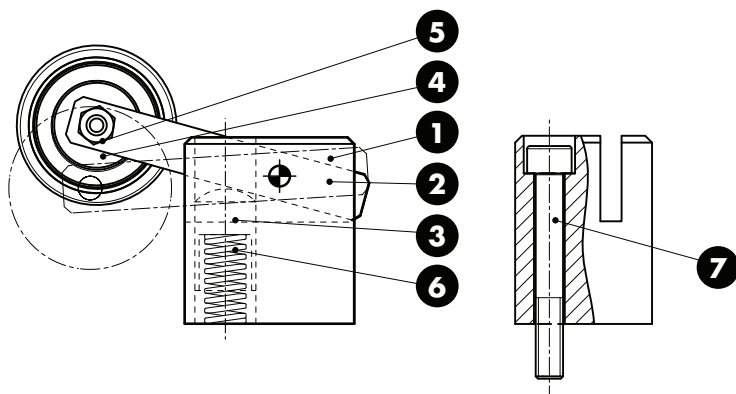
39V 1569/4

	VW CODE
	39V 1569/2
VW CODE	
39V 1569/1	
39V 1569/2	
39V 1569/3	
39V 1569/4	

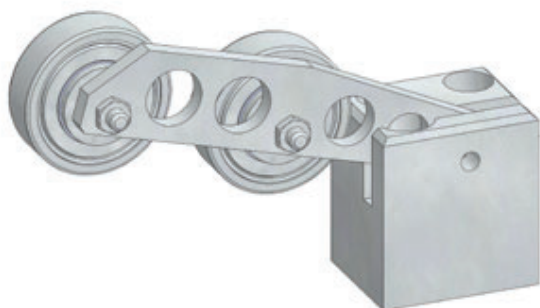
Standard VW/Audi



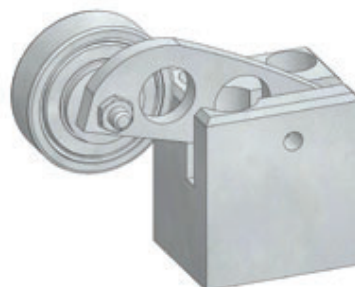
39V 1569/10



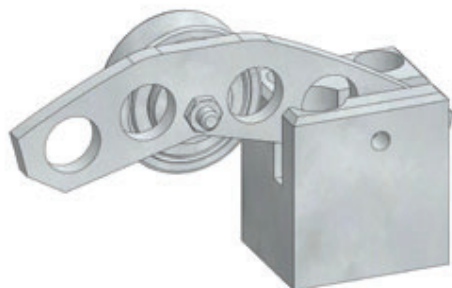
Notes	
1	Material: C15
2	Material: S235JRG2K
3	Material: 42CrMo4
4	Material: Steel
5	DIN 625-1 (6303-2Z)
6	Spring
7	Screws M8x60 DIN 912



39V 1569/11



39V 1569/12
39V 1569/14

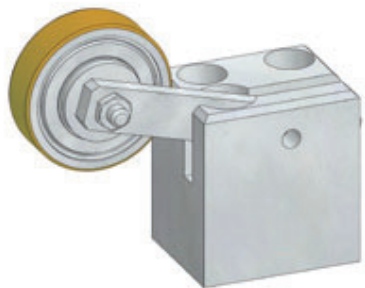


39V 1569/13

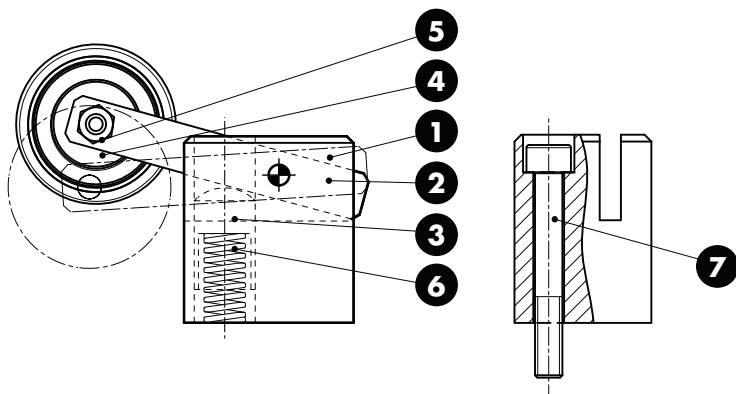
	VW CODE
	39V 1569/11

VW CODE
39V 1569/10
39V 1569/11
39V 1569/12
39V 1569/13
39V 1569/14

ROLLER STOCK LIFTER - FEDERENDE LAUFROLLE - RULLINO SOLLEVAMENTO NASTRO



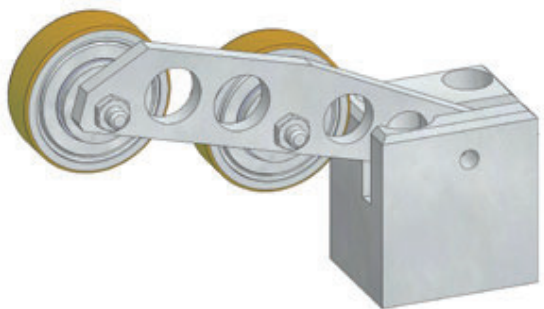
39V 1569/20



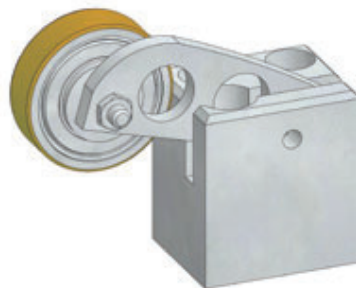
Notes	
1	Material: C15
2	Material: S235JRG2K
3	Material: 42CrMo4
4	Material: Steel
5	Material: Steel + Vulkolan
6	Spring
7	Screws M8x60 DIN 912



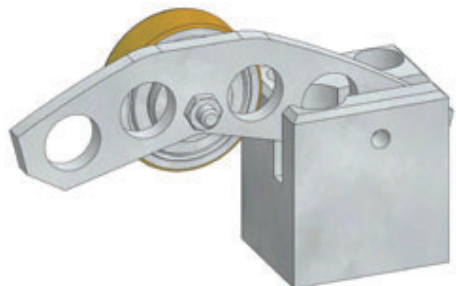
Standard VW/Audi



39V 1569/21



39V 1569/22



39V 1569/23

	VW CODE
	39V 1569/21

VW CODE
39V 1569/20
39V 1569/21
39V 1569/22
39V 1569/23