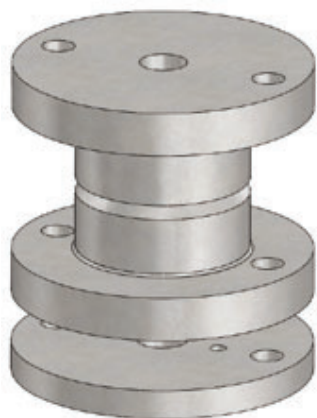
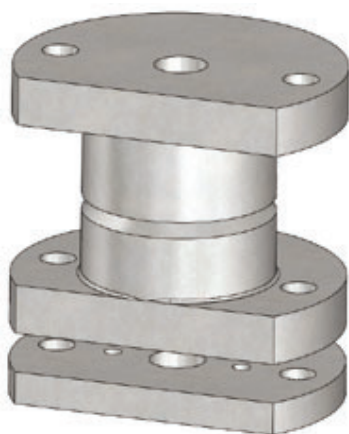


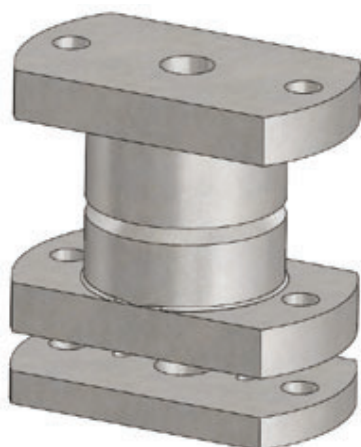
LOCATING CONE - KEGELDISTANZ - CONO DI CENTRAGGIO



FORM A



FORM B

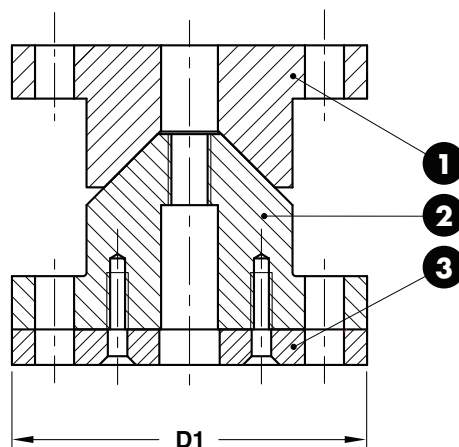


FORM C

Notes

1 2 **Material:** 16MnCr5
HRC: 58÷60

3 **Material:** CK45



ORDER EXAMPLE	VW CODE	
	39V 1168/16	
VW CODE	FORM	D1
39V 1168/10	A	100
39V 1168/12	A	120
39V 1168/14	B	100
39V 1168/16	B	120
39V 1168/18	C	100
39V 1168/20	C	120