

BACKING PLATE - DISTANZKAPPE - REAZIONE PER CILINDRO



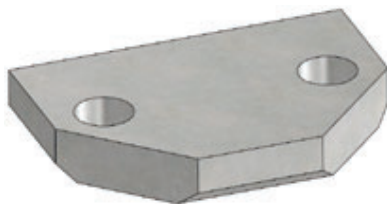
Notes	
Material: 16MnCr5 - HRC: 60÷64	

STOCK

ORDER EXAMPLE 	VW CODE
	39D 896/1-02

VW CODE
39D 896/1-02

RETAINER - SICHERUNGSPLATTE - PIASTRINA



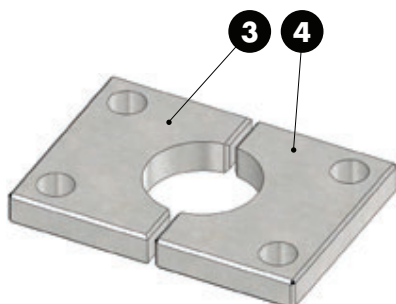
Notes	
Material: 16MnCr5 - HRC: 60÷64	

STOCK

ORDER EXAMPLE 	VW CODE
	39D 896/1-03

VW CODE
39D 896/1-03

RETAINER - SICHERUNGSPLATTE - PIASTRINA



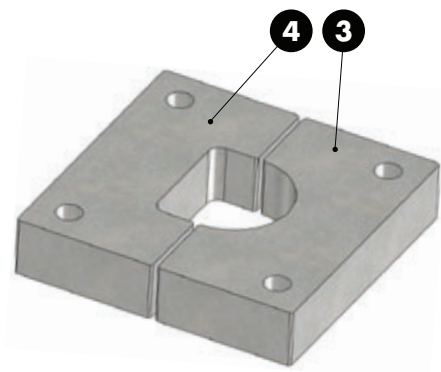
Notes	
3 4	Material: 16MnCr5 - HRC: 60÷64

STOCK

ORDER EXAMPLE 	VW CODE
	39D 896/2-04

VW CODE
39D 896/2-03
39D 896/2-04

RETAINER - SICHERUNGSPLATTE - PIASTRINA



Notes

3 4

Material: 16MnCr5 - **HRC:** 60÷64

STOCK

ORDER EXAMPLE

VW CODE
39D 896/3-04

VW CODE

39D 896/3-03

39D 896/3-04