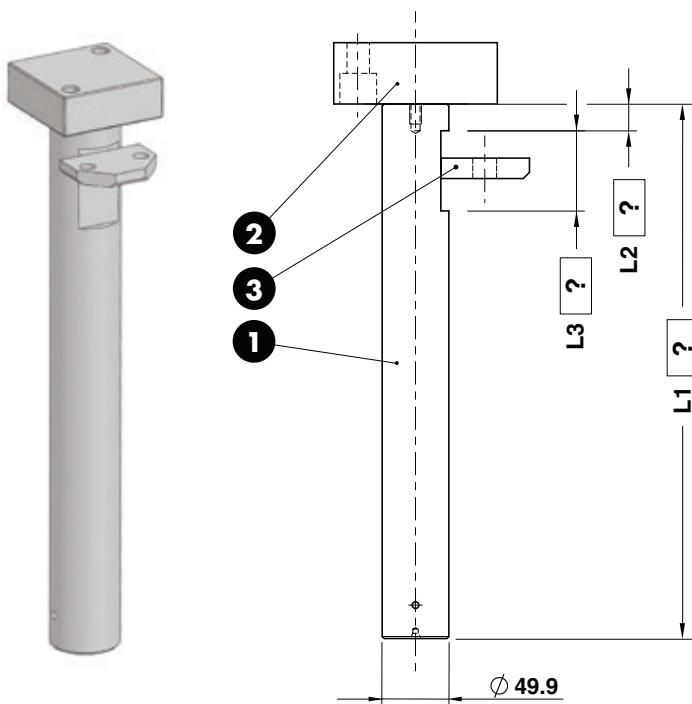


COMPENSATION PIN GROUP
AUSGLEICHSDRUCKBOLZEN
GRUPPO PERNO DI COMPENSAZIONE



Notes

1 2 3

Material: 16MnCr5 - **HRC:** 60÷64



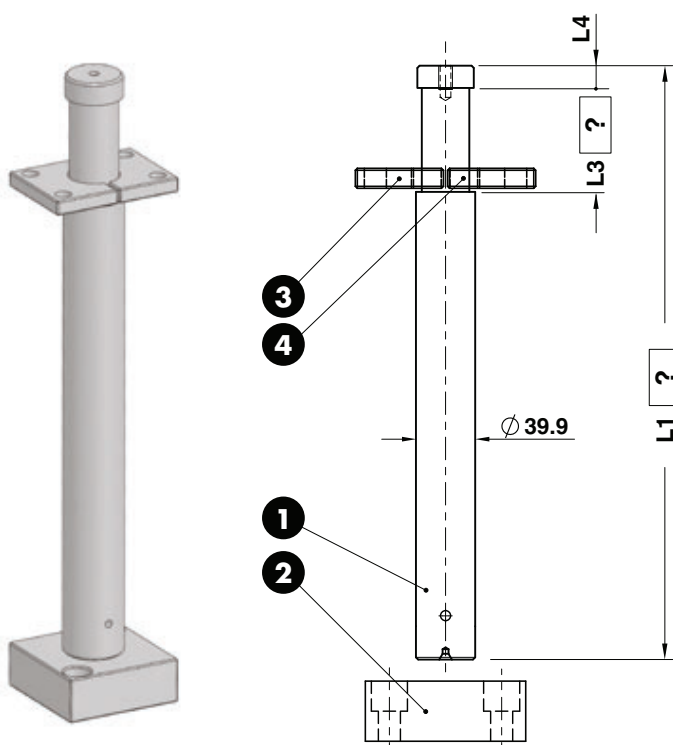
VW CODE	L1=400	L2=20	L3=60
39D 896/1	400	20	60

VW CODE

39D 896/1

Standard VW/Audi

COMPENSATION PIN GROUP
AUSGLEICHSDRUCKBOLZEN
GRUPPO PERNO DI COMPENSAZIONE



Notes

1 2 3 4

Material: 16MnCr5 - **HRC:** 60÷64

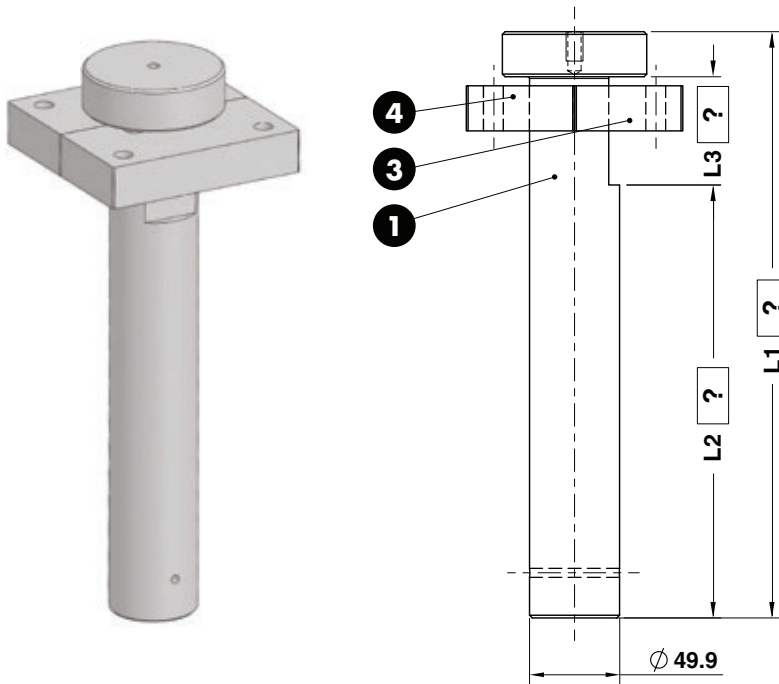


VW CODE	L1=300	L3=60	L4=45
39D 896/2	300	60	45

VW CODE

39D 896/2

COMPENSATION PIN GROUP
AUSGLEICHSDRUCKBOLZEN
GRUPPO PERNO DI COMPENSAZIONE



Notes

1 3 4

Material: 16MnCr5 - **HRC:** 60÷64

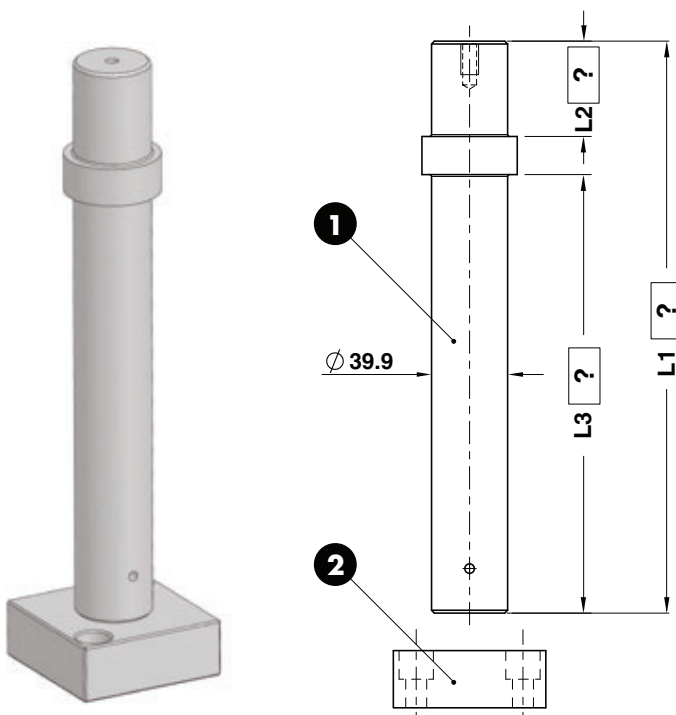


ORDER EXAMPLE	VW CODE	L1=325	L2=240	L3=60
	39D 896/3	325	240	60

VW CODE

39D 896/3

COMPENSATION PIN GROUP
AUSGLEICHSDRUCKBOLZEN
GRUPPO PERNO DI COMPENSAZIONE



Notes

1 2

Material: 16MnCr5 - **HRC:** 60÷64



ORDER EXAMPLE	VW CODE	L1=300	L2=50	L3=230
	39D 896/4	300	50	230

VW CODE

39D 896/4