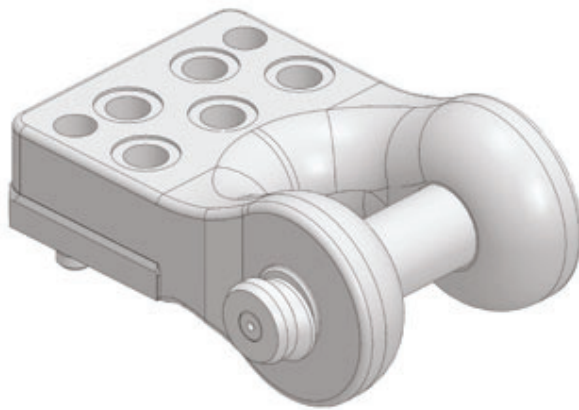
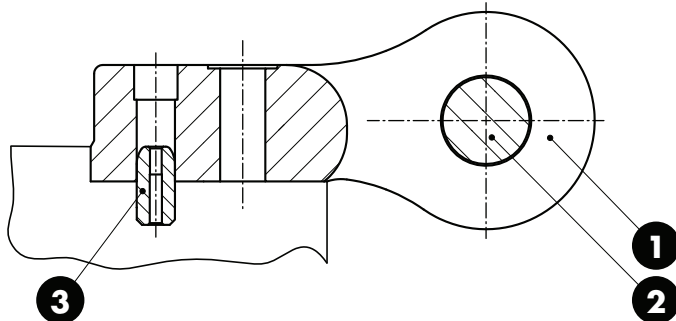
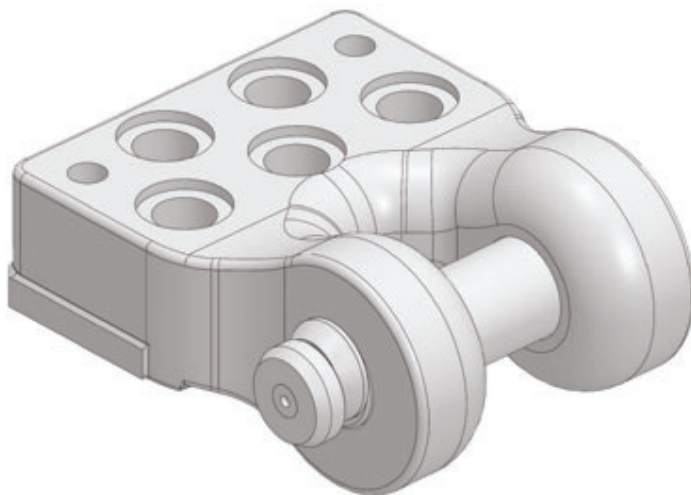


LIFTING BRACKET WITH PIN AND LOCATING PINS
TRAGWANGE MIT TRAGBOLZEN UND ZENTRIERBOLZEN
STAFFA DI SOLLEVAMENTO COMPLETA DI PERNO E CENTRAGGI



FORM A



FORM B



Respect the max load
 Maximale Nutzlast beachten
 Rispettare il carico Max

WARNING - ACHTUNG - ATTENZIONE:
 For safety reason, please consider always that the weight of the die has to be supported by just 2 lifting brackets.

Aus Sicherheitsgründen stets berücksichtigen, dass zwei Tragwagen das gesamte Werkzeuggewicht tragen müssen.

Per ragioni di sicurezza, considerare sempre che il peso dello stampo deve essere sopportato da 2 sole staffe.

Notes

- 1 Material:** St52
- 2 39D 866 - Material:** CK45
- 3 39V 1205/1 Material:** 16MnCr5 - **HRC:** 58÷62

Screws not included



	VW CODE
	39D 839/2

VW CODE	Max load (kg)	Max die weight (kg)	FORM
39D 839/1	8000	16000	A
39D 839/2	12500	25000	B