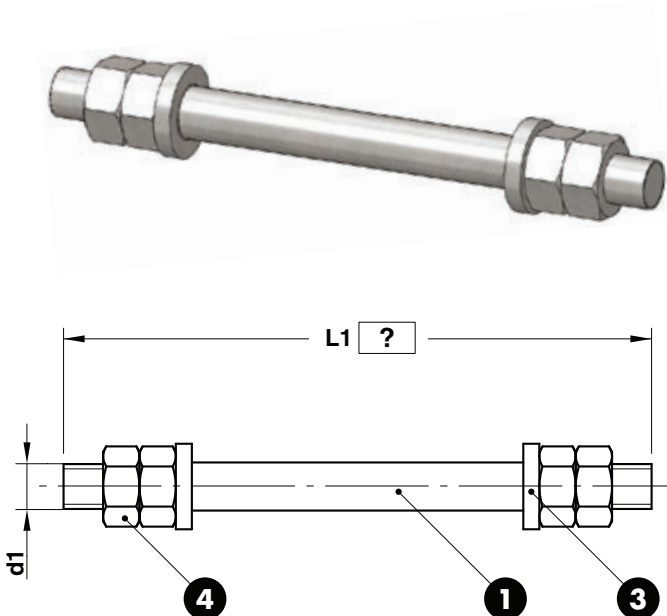


TIE ROD - DRUCK UND ZUGANKER - TIRANTE



Notes

- 1 Material:** 34Cr4
- 3 Material:** CK45
- 4** DIN 934

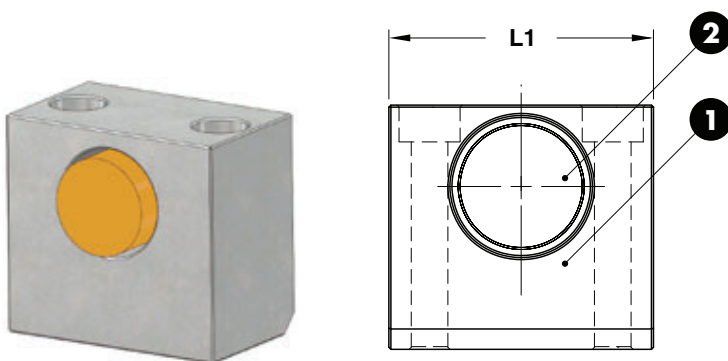


VW CODE	L1=550
39D 599/3	550

VW CODE	d1
39D 599/3	M42 x 1.5
39D 599/4	M56 x 1.5

Standard VW/Audi

SLIDE STOP BLOCK - SCHIEBERANSCHLAG - ARRESTO SLITTA



Notes

- 1 Material:** CK45
- 2 Material:** Elastomer 90 SH

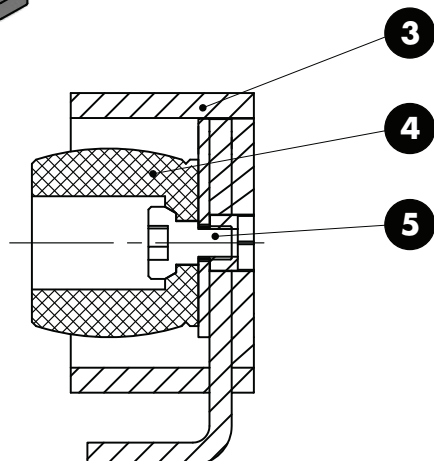
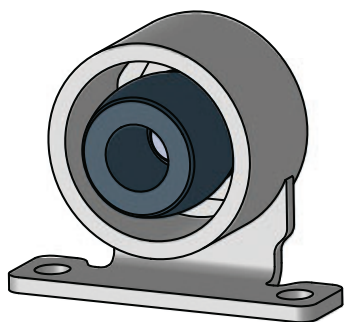
Only for replacement
Nur für Reparatur
Solo per riparazione



VW CODE
39D 630/8

VW CODE	L1
39D 630/8	65
39D 630/10	75

SLIDE STOP BLOCK - SCHIEBERANSCHLAG - ARRESTO SLITTA

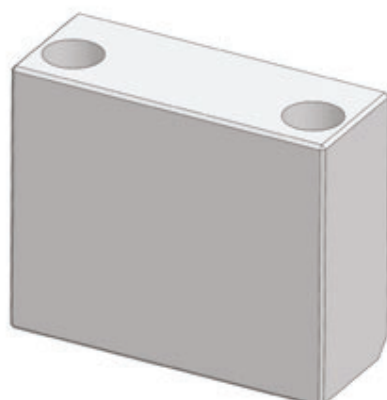


Notes	
3	Material: St37
4	Material: CO-Polyester Elastomer
5	M6x12 DIN 912

STOCK

	VW CODE
	39D 630/22
VW CODE	
39D 630/22	

SLIDE STOP BLOCK - SCHIEBERRANSCHLAG - ARRESTO SLITTA



Notes	
Material: CK45	
Only for replacement Nur für Reparatur Solo per riparazione	

STOCK

	VW CODE
	39D 630/25
VW CODE	
39D 630/21	
39D 630/25	