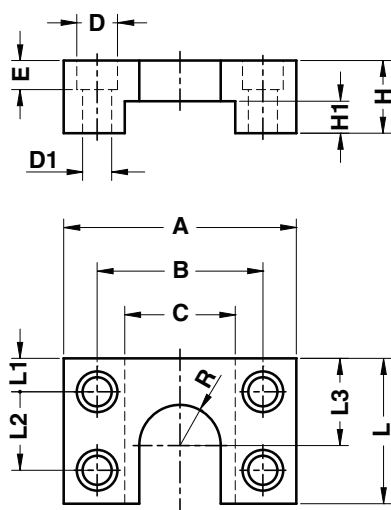


COUPLING PLATE - BEFESTIGUNGSPLATTE - STAFFA DI REAZIONE



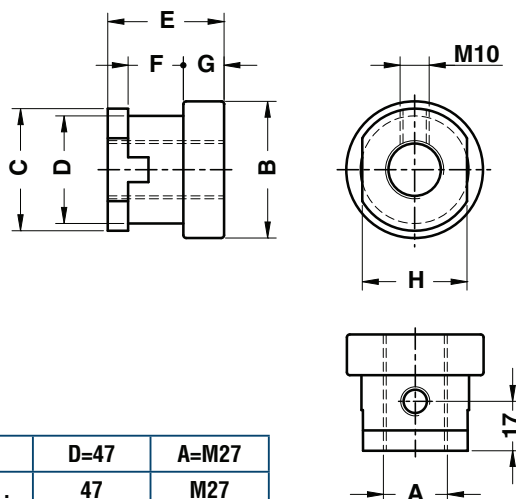
Notes
Material: CK45

ORDER EXAMPLE	Art.	A=80	R=14
	C18.30.	080	14

OMCR CODE	A	B	C	D	D1	E	H	H1	L	L1	L2	L3	R
C18.30.08014	080	57	38	18	11	10	25	11	50	11,5	27	30	14
C18.30.10020	100	75	50	20	13	12	32	15	55	12,5	30	35	20
C18.30.12025	120	88	60	26	17	16	40	20	65	16	33	45	25
C18.30.15033	150	114	80	33	22	26	45	20	100	18	64	64	33

C18.31

COUPLING NUT - KUPPLUNGSMUTTER - AGGANCIO STAFFA



Notes
Material: CK45

ORDER EXAMPLE	Art.	D=47	A=M27
	C18.31.	47	M27

OMCR CODE	A	B	C	D	E	F	G	H	Air cyl. (I.S.O.) bore size	Using with coupling plate
C18.31.25M10	M10x1,25	35	30	25	30	16	10	24	32	C18.30.08014
C18.31.25M12	M12x1,25	35	30	25	30	16	10	24	40	C18.30.08014
C18.31.37M16	M16x1,5	47	42	37	40	19	14	36	50, 63	C18.30.10020
C18.31.37M20	M20x1,5	47	42	37	40	19	14	36	80, 100	C18.30.10020
C18.31.37M27	M27x2	47	42	37	40	19	14	36	125	C18.30.10020
C18.31.47M27	M27x2	57	52	47	50	24	19	46	125	C18.30.12025
C18.31.47M36	M36x2	57	52	47	50	24	19	46	160, 200	C18.30.12025
C18.31.59M42	M42x2	76	64	59	76	50	19	60	250	C18.30.15033