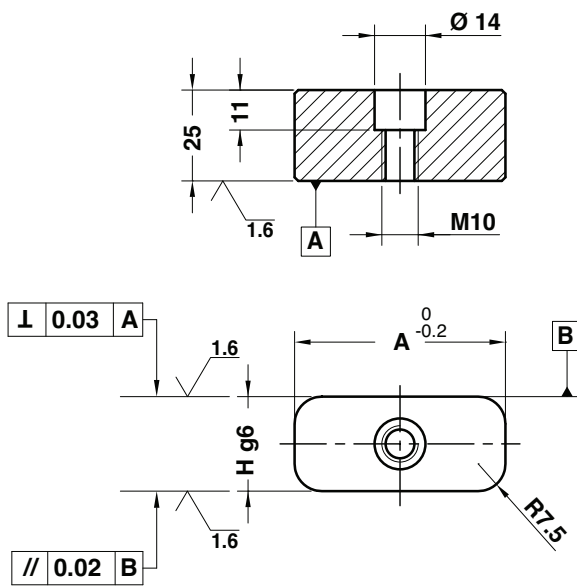
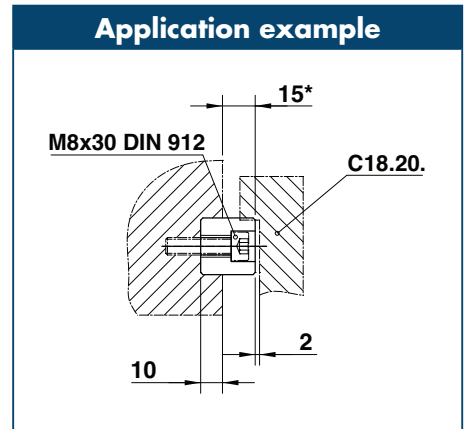


KEY - PASSFEDER - CHIAVETTA



Notes
Material: 90MnCrV8 - **HRC:** 58÷60



* For adjustment
 Für umrüsten
 Per adattamento

ORDER EXAMPLE	Art.	H=26	A=35
	C18.21.	26	35

OMCR CODE	H	A
C18.21.2635	26	35
C18.21.2660	26	60