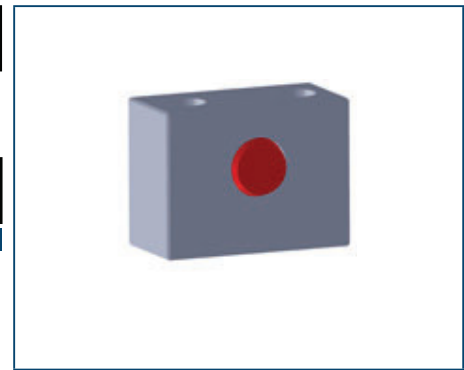
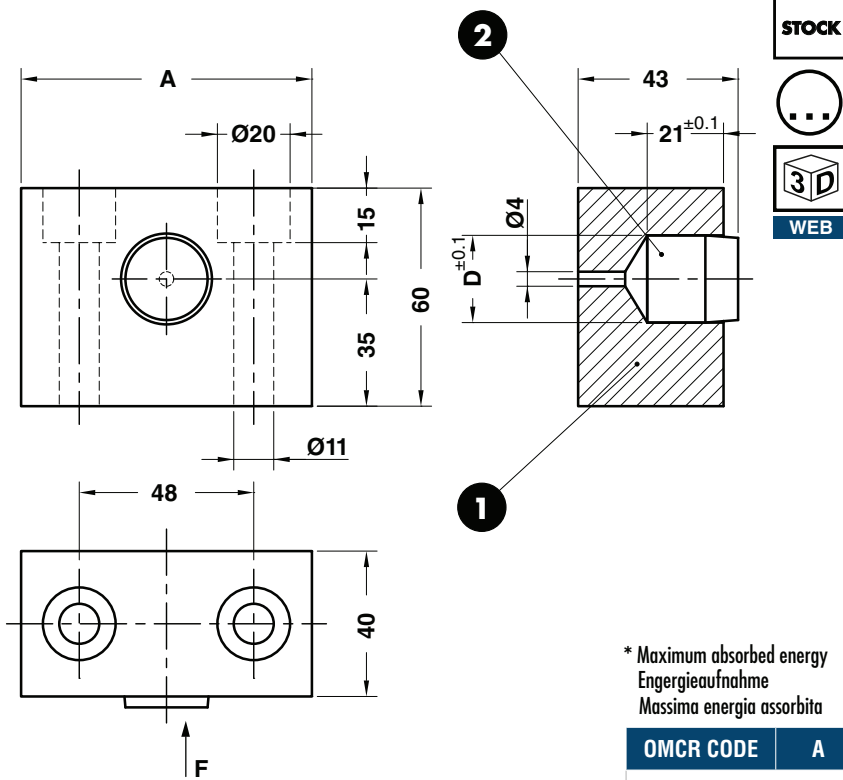


SLIDE STOP BLOCK - SCHIEBERANSCHLAG - ARRESTO SLITTA



Notes

- 1** Material: CK45
- 2** C17.20.2425

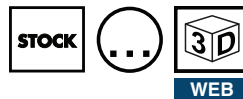
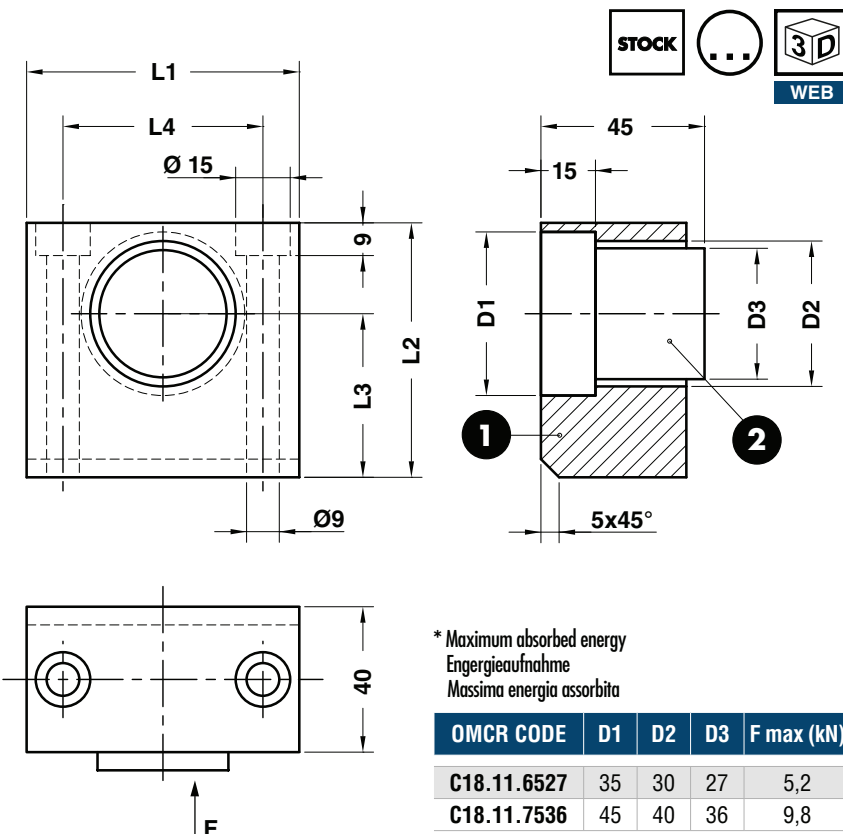
* Maximum absorbed energy
Energieaufnahme
Massima energia assorbita

ORDER EXAMPLE	Art.	A=80	D=24
C18.10.	80	80	24

OMCR CODE	A	D	F max (kN)	Max Energy Absorbed (J)*
C18.10.8024	80	24	3	4,8

C18.11

SLIDE STOP BLOCK - SCHIEBERANSCHLAG - ARRESTO SLITTA



Notes

- 1** Material: CK45
- 2** Material: Elastomer 90 SH

* Maximum absorbed energy
Energieaufnahme
Massima energia assorbita

ORDER EXAMPLE	Art.	L1=65	D3=27
C18.11.	65	65	27

OMCR CODE	D1	D2	D3	F max (kN)	L1	L2	L3	L4	Max Energy Absorbed (J)*
C18.11.6527	35	30	27	5,2	65	60	40	45	13
C18.11.7536	45	40	36	9,8	75	70	45	55	24,5