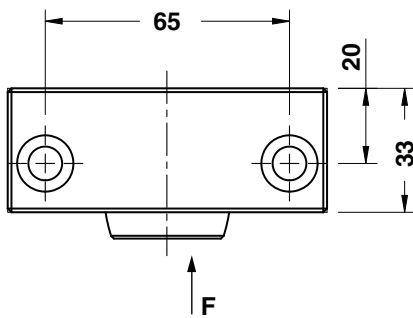


Notes

- 1** Material: CK45
- 2** C17.51
- 3** Screw



ORDER EXAMPLE	Art.	L1=85	D3=30
	C18.05.	85	30

* Maximum absorbed energy
Energieaufnahme
Massima energia assorbita

OMCR CODE	L1	D3	F max (kN)	Max Energy Absorbed (J)*	Max Stroke (mm)
C18.05.8530	85	30	3,75	8	7

Application example

