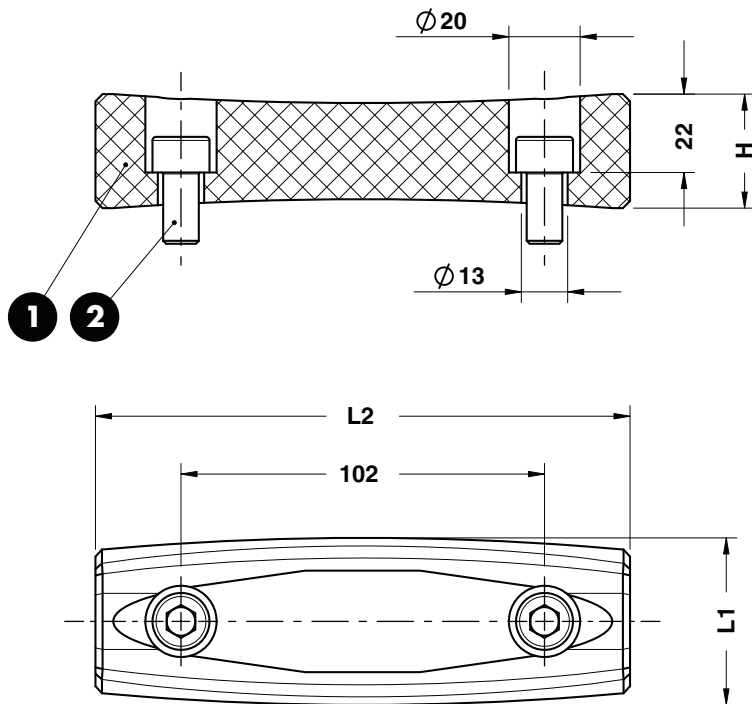


ANTI-REBOUND ELASTOMER - DÄMPFUNGELEMENT - AMMORTIZZATORE ANTIRIMBALZO



WEB

Notes

- 1 Material: CO-Polyester Elastomer
- 2 M10 DIN 912



Art.	H=32	L1=47	L2=150
C17.52.	32	47	150

OMCR CODE	H	L1	L2
C17.52.2952153	29	52	153
C17.52.3247150	32	47	150

Standard OMCR