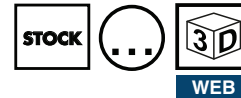
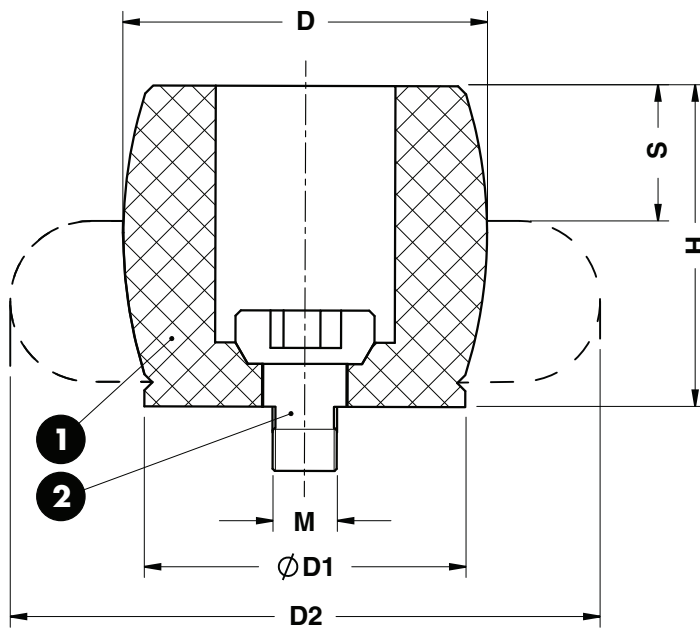


ANTI-REBOUND ELASTOMER - DÄMPFUNGSELEMENT - AMMORTIZZATORE ANTIRIMBALZO



Notes	
1	Material: CO-Polyester Elastomer
2	Screw

ORDER EXAMPLE	Art.
	C17.51.1211

OMCR CODE	D	D1	D2	M	H	S	Nm/S
C17.51.1211	12	11	15	3	11	4	2
C17.51.1716	17	15	22	4	16	6	6
C17.51.2118	21	18	26	5	18	7	10
C17.51.2219	22	19	27	6	19	6	11.5
C17.51.2826	28	25	36	6	26	9	29
C17.51.3430	34	30	43	6	30	10	48
C17.51.3733	37	33	48	8	33	12	65