

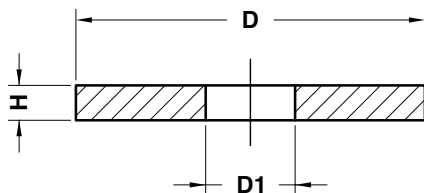
WASHER FOR ELASTOMER SPRINGS - FEDERSCHEIBE - RONDELLA PER MOLLE IN ELASTOMERO



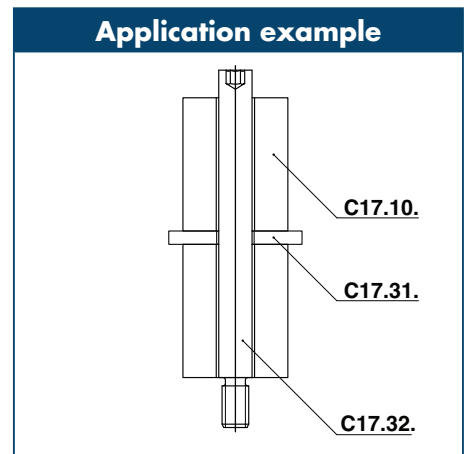
STOCK



Standard OMCR



Notes
Material: CK45



	Art.	D=20
	C17.31.	020

OMCR CODE	D	D1	H
C17.31.020	20	6,5	4
C17.31.025	25	8,5	4
C17.31.030	30	10,5	5
C17.31.040	40	13,5	5
C17.31.050	50	13,5	5
C17.31.060	60	16,5	6
C17.31.080	80	16,5	6
C17.31.100	100	20,5	8
C17.31.120	120	20,5	8
C17.31.150	150	26	8