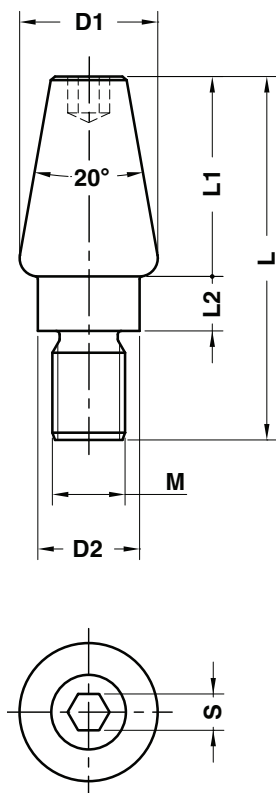
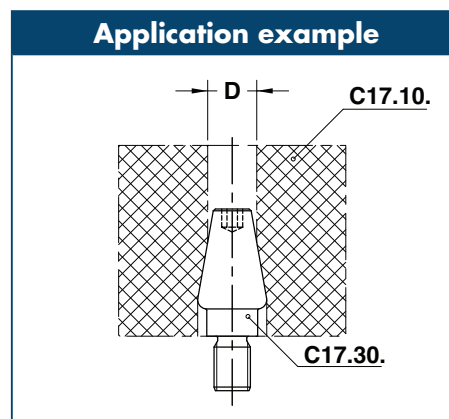


ELASTOMER SPRING PIN - AUFNAHMEBOLZEN - PERNO PER MOLLE IN ELASTOMERO



Notes
Material: CK45



ORDER EXAMPLE	Art.	D1	M=M16
	C17.30.	32	M16

OMCR CODE	D	D1	D2	L	L1	L2	M	S
C17.30.28M12	17	28	19	56	30	8	M12	6
C17.30.32M16	21	32	22	74	40	10	M16	8
C17.30.38M20	27	38	28	100	55	15	M20	10