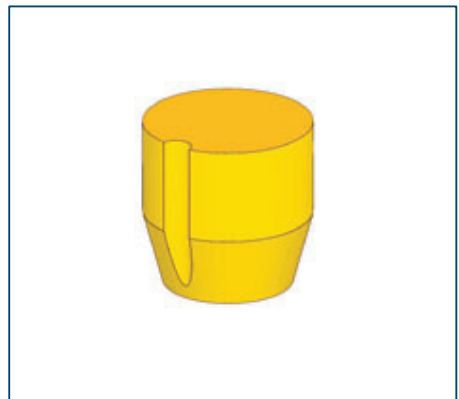
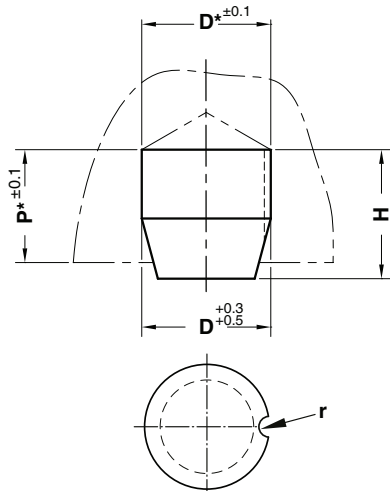


ELASTOMER CAP - ELASTOMERDRUCKSTÜCK - PUNTALINO IN ELASTOMERO

* Seat
Sitz
Sede



Notes

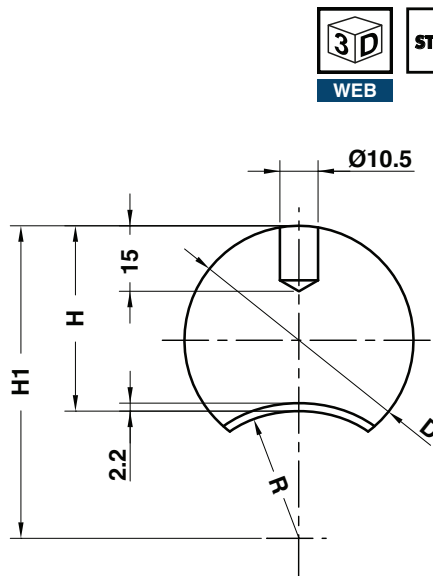
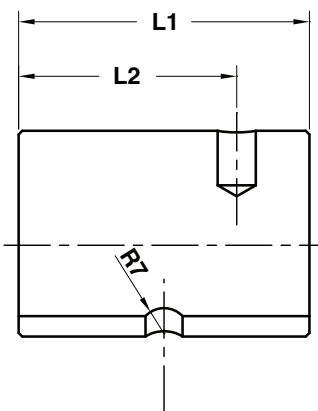
Material: Elastomer 90SH

ORDER EXAMPLE	Art.	D=6	H=10
	C17.20.	06	10

OMCR CODE	D	F max. (N)	H	P	r
C17.20.0610	6	100	10	8	-
C17.20.1015	10	450	15	13	1
C17.20.1625	16	1500	25	21	1,5
C17.20.2425	24	3000	25	20	2
C17.20.4040	40	25000	40	35	3

C17.21

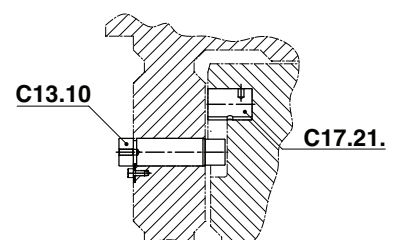
SHOCK ABSORBER - HALTELEMENT - AMMORTIZZATORE



Notes

Material: Elastomer 92SH

Application example



ORDER EXAMPLE	Art.	D=50	L1=80
	C17.21.	50	80

OMCR CODE	D	H	H1	L1	L2	R
C17.21.4060	40	32	50	60	45	18
C17.21.5080	50	40	63	80	60	23
C17.21.6380	63	51	86	80	60	35