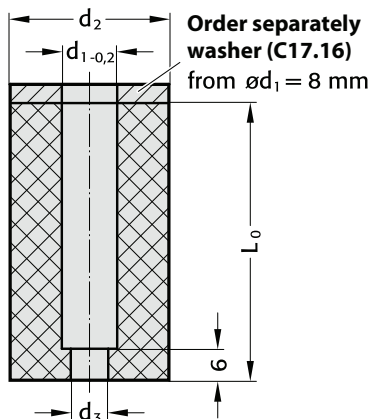


ELASTOMER STRIPPER - ABSTREIFER - ESTRATTORE PER PUNZONI

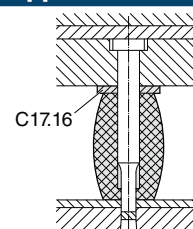
STOCK



Notes

Material: Elastomer 95SH

Application example



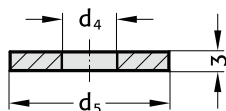
Art.	D1 = 4	L
C17.15.	04	39

CODE	d1	d2	d3	L	CODE	d1	d2	d3	L
C17.15.0439	4	17	1,6	39	C17.15.1339	13	26	3	39
C17.15.0447	4	17	1,6	47	C17.15.1347	13	26	3	47
C17.15.0456	4	17	1,6	56	C17.15.1356	13	26	3	56
C17.15.0639	6	19	1,6	39	C17.15.1639	16	30	3	39
C17.15.0647	6	19	1,6	47	C17.15.1647	16	30	3	47
C17.15.0656	6	19	1,6	56	C17.15.1656	16	30	3	56
C17.15.0839	8	21	3	39	C17.15.2039	20	38	3	39
C17.15.0847	8	21	3	47	C17.15.2047	20	38	3	47
C17.15.0856	8	21	3	56	C17.15.2056	20	38	3	56
C17.15.1039	10	23	3	39	C17.15.2539	25	50	3	39
C17.15.1047	10	23	3	47	C17.15.2547	25	50	3	47
C17.15.1056	10	23	3	56	C17.15.2556	25	50	3	56

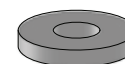
Standard OMCR

WASHER - SCHEIBE - RONDELLA

STOCK



Art.	D4 = 8,5
C17.16.	085



Notes

Material: Steel

CODE	d4	d5	CODE	d4	d5
C17.16.085	8,5	21	C17.16.205	20,5	38
C17.16.105	10,5	23	C17.16.255	25,5	50
C17.16.130	13	26	C17.16.325	32,5	55
C17.16.135	13,5	26	C17.16.385	38,5	60
C17.16.165	16,5	30	C17.16.405	40,5	63