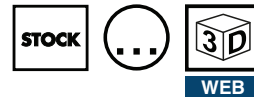
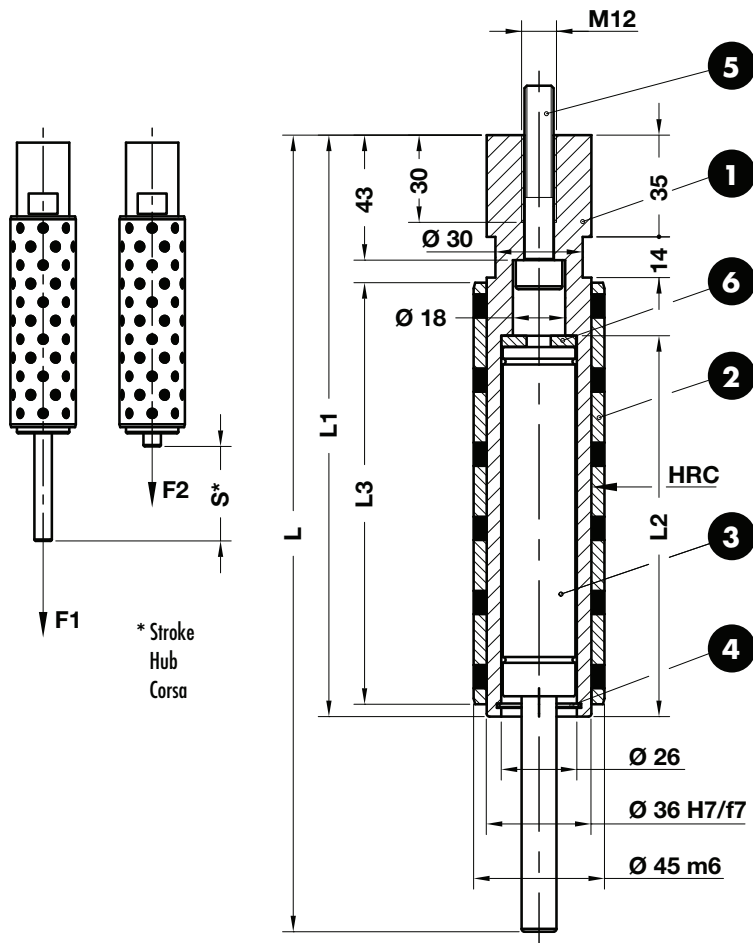


SPRING RAMS - FEDERBOLZEN - SOLLEVATORE



Notes

- 1** Material: CK45 - HRC: 58÷62
- 2** Material: Bronze+Graphite - HB>190
- 3** Gas Spring
- 4** DIN 472
- 5** M10x60 DIN 912
- 6** Material: 90MnCrV8 - HRC: 54÷60

	Art.	S=50	F1=50
	C16.50.	50	050

OMCR CODE	F1 (daN)	F2 (daN)	L	L1	L2	L3	S
C16.50.50050	50	68	240	182	118	115	50
C16.50.50100	100	136	240	182	118	115	50
C16.50.50150	150	204	240	182	118	115	50
C16.50.50200	200	272	240	182	118	115	50
C16.50.65050	50	68	274	200	135	145	65
C16.50.65100	100	136	274	200	135	145	65
C16.50.65150	150	204	274	200	135	145	65
C16.50.65200	200	272	274	200	135	145	65
C16.50.80050	50	68	314	220	155	170	80
C16.50.80100	100	136	314	220	155	170	80
C16.50.80150	150	204	314	220	155	170	80
C16.50.80200	200	272	314	220	155	170	80