

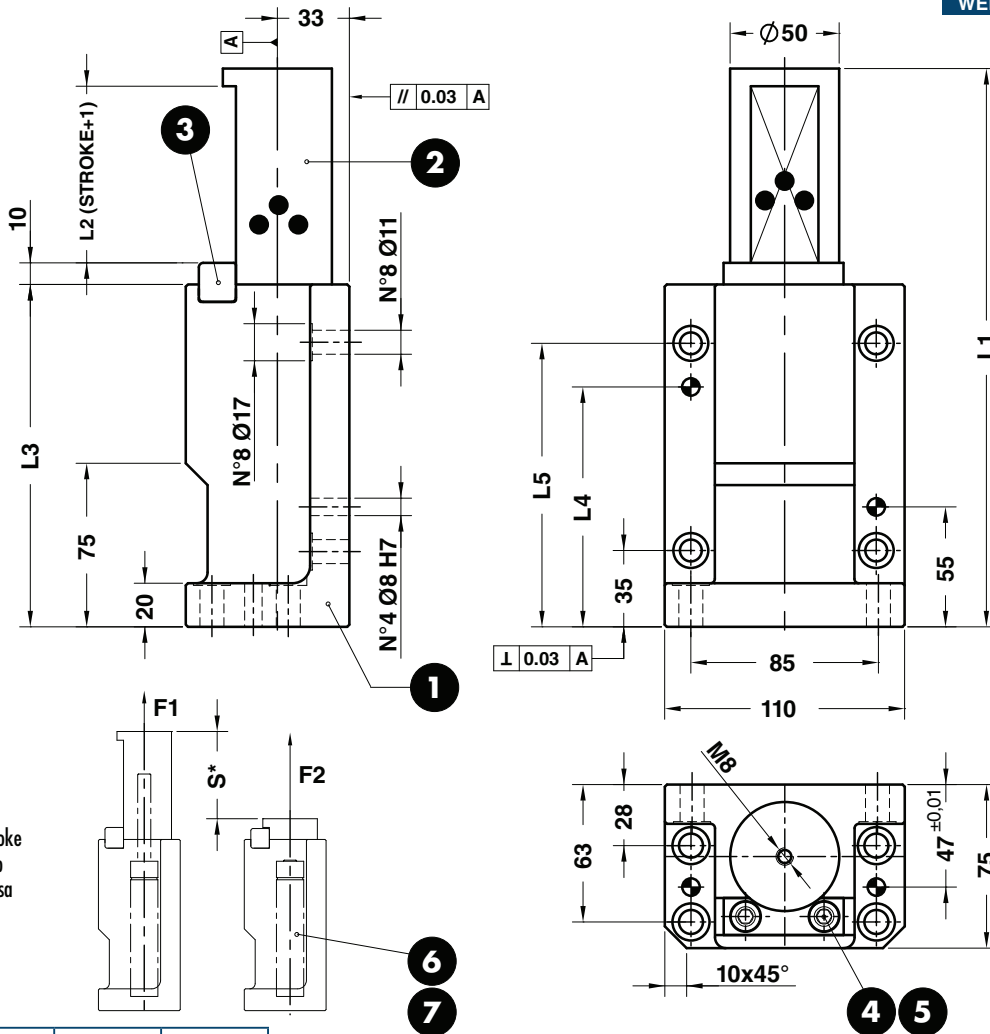
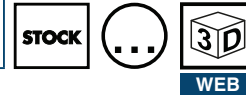
## FLANGE LIFTER - ABSTREIFER - SFLANGIATORE



Do not exceed the stroke  
Hub nicht überschreiten  
Non superare la corsa

### Notes

- 1 Material:** EN-GJL300
- 2 Material:** Bronze + Graphite - HB>190
- 3 Material:** 36NiCrMo4
- 4** M8x25 DIN 912
- 5** Schnorr Ø8
- 6** Gas Spring
- 7** M6x12 DIN 7991



\* Stroke  
Hub  
Corsa

Art.	S=50	F1=50
C16.30.	50	050

OMCR CODE	F1 (daN)	F2 (daN)	L1	L2	L3	L4	L5	S
C16.30.50050	50	86	196	51	127	80	100	50
C16.30.50100	100	172	196	51	127	80	100	50
C16.30.50150	150	258	196	51	127	80	100	50
C16.30.50200	200	344	196	51	127	80	100	50
C16.30.80050	50	86	256	81	157	110	130	80
C16.30.80100	100	172	256	81	157	110	130	80
C16.30.80150	150	258	256	81	157	110	130	80
C16.30.80200	200	344	256	81	157	110	130	80