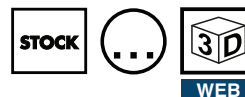


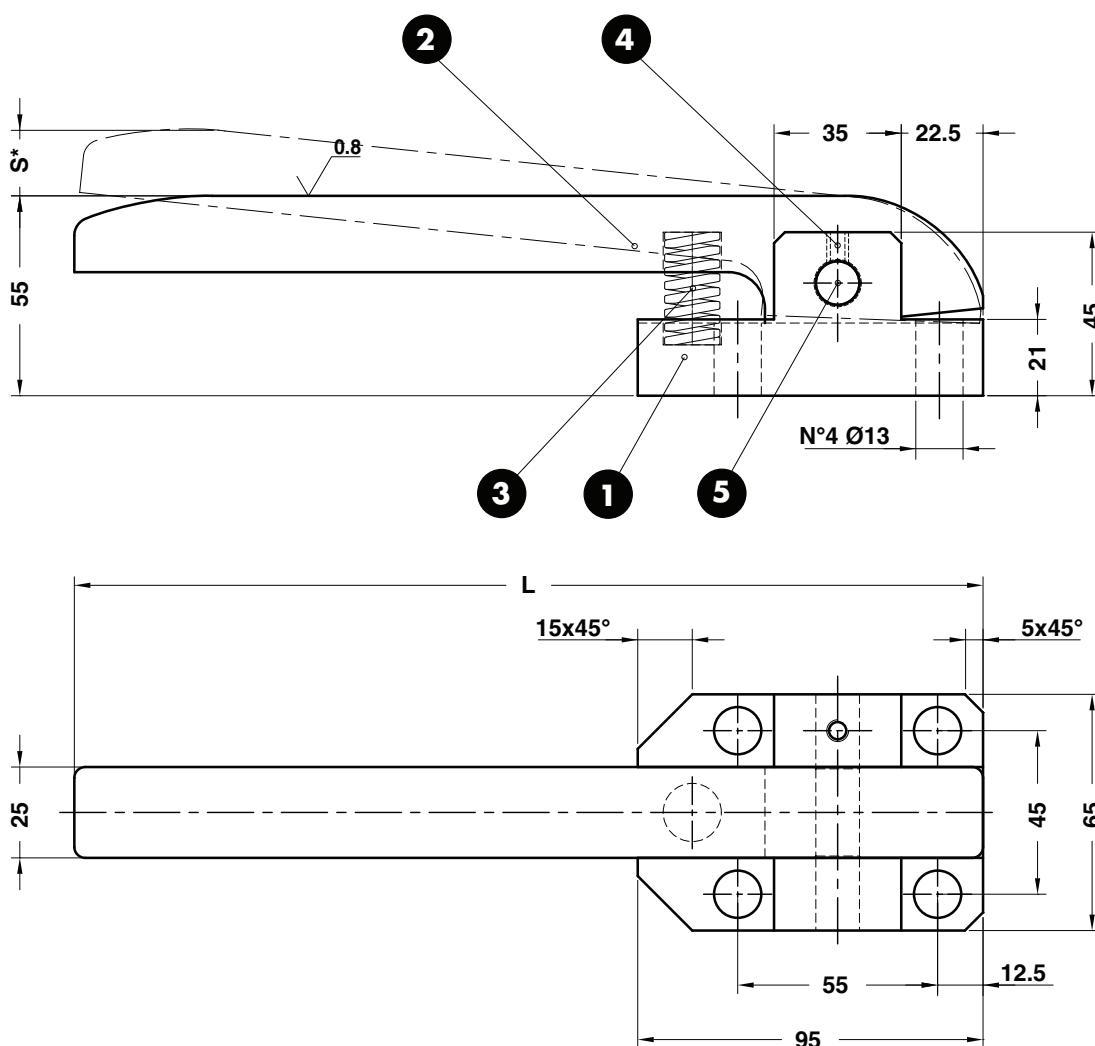
COIL SUPPORT - ABSTREIFER - SOLLEVATORE NASTRO

Notes

- 1** Material: CK45
- 2** Material: Bronze - **HB**>190
- 3** SPRING
- 4** M6x8 DIN 913
- 5** Ø12x60 DIN 6325



Standard OMCR



	Art.	TYPE
	C16.25.	01

OMCR CODE	L	S	Spring	Spring initial force (daN)	Spring final force (daN)	TYPE
C16.25.01	250	18	TV016044	7,9 N	12,3 N	01
C16.25.02	250	18	B16044	27 N	42 N	02
C16.25.03	300	30	B16044	24 N	42 N	03