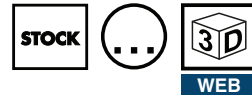
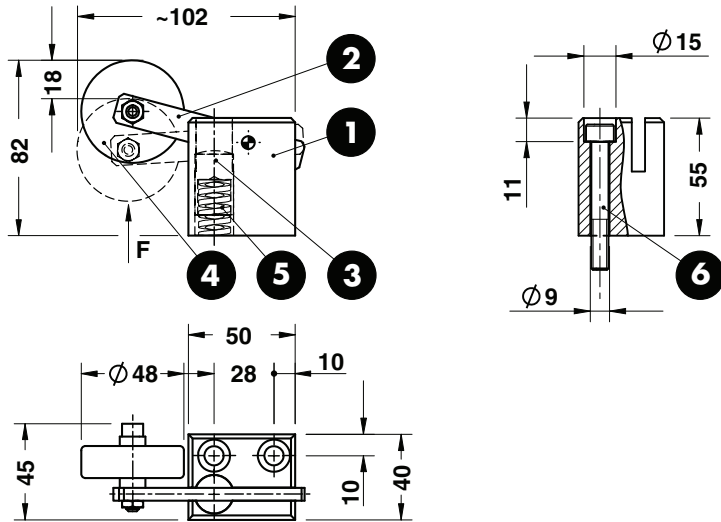


ROLLER STOCK LIFTER - FEDERENTE LAUFROLLE - RULLINO SOLLEVAMENTO NASTRO

TYPE 01



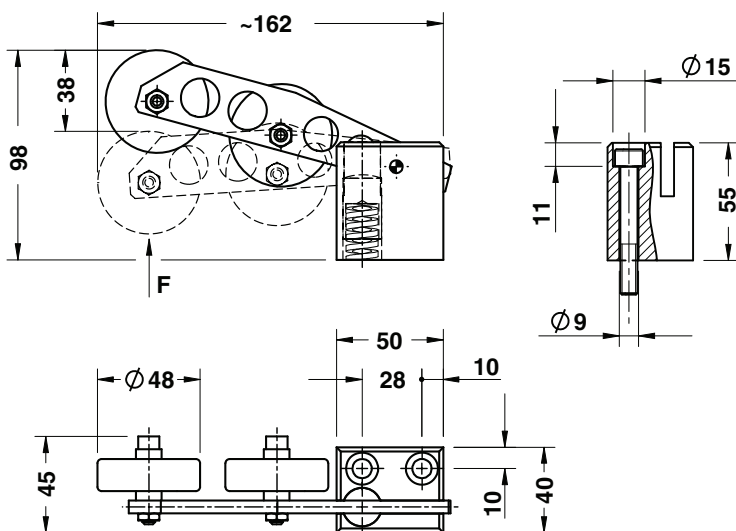
Notes

- 1** Material: C15
- 2** Material: S235JRG2K
- 3** Material: 42CrMo4
- 4** C16.19.48
- 5** Spring
- 6** Screws M8x60 DIN 912

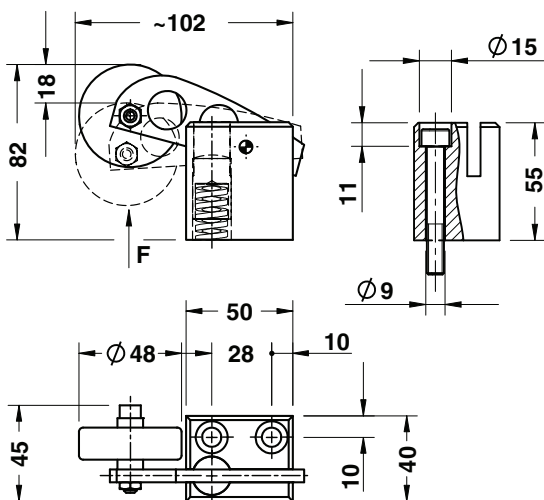
	Art.	TYPE
	C16.20.	01

OMCR CODE	F (N)	TYPE
C16.20.01	66	01
C16.20.02	32	02
C16.20.03	66	03
C16.20.04	66	04

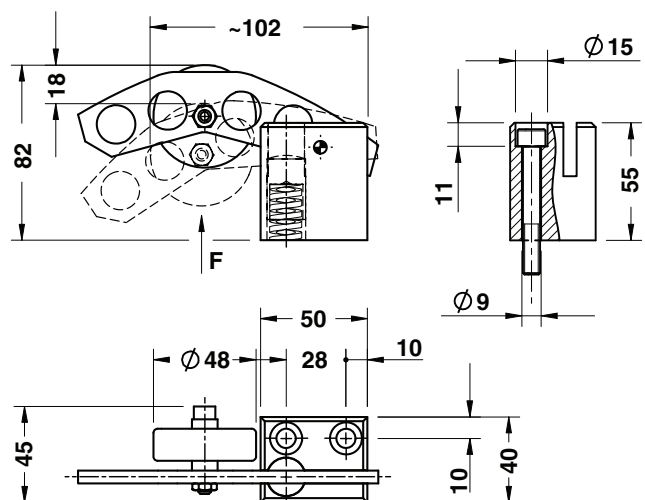
TYPE 02



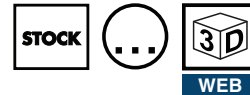
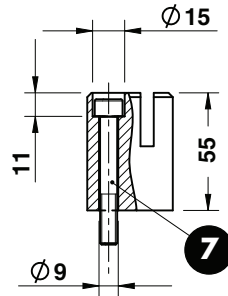
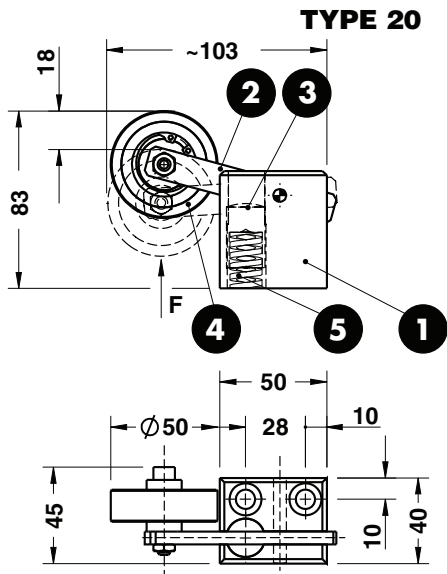
TYPE 03



TYPE 04



ROLLER STOCK LIFTER - FEDERENTE LAUFROLLE - RULLINO SOLLEVAMENTO NASTRO



Notes

- 1** Material: C15
- 2** Material: S235JRG2K
- 3** Material: 42CrMo4
- 4** C16.18.50
- 5** Spring
- 6** Material: steel
- 7** Screws M8x60 DIN 912



Art.	TYPE
C16.20.	20

OMCR CODE	F (N)	TYPE
C16.20.20	66	20
C16.20.21	32	21
C16.20.22	66	22
C16.20.23	66	23

