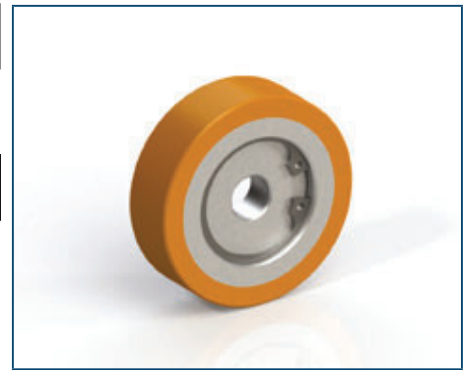
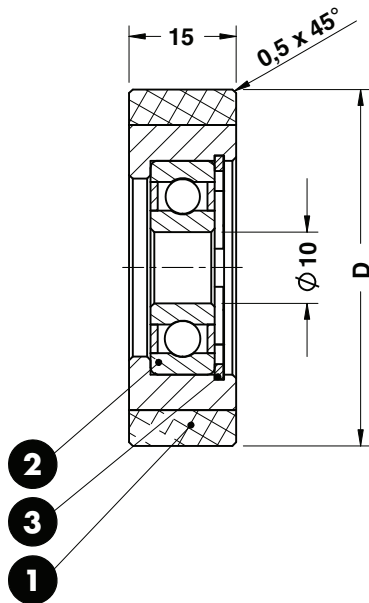


ROLLER - ROLLE - ROTELLA



Notes

- 1** Material: Steel+Vulkolan
- 2** Roller Bearing 6200 2RS
- 3** I30 DIN472

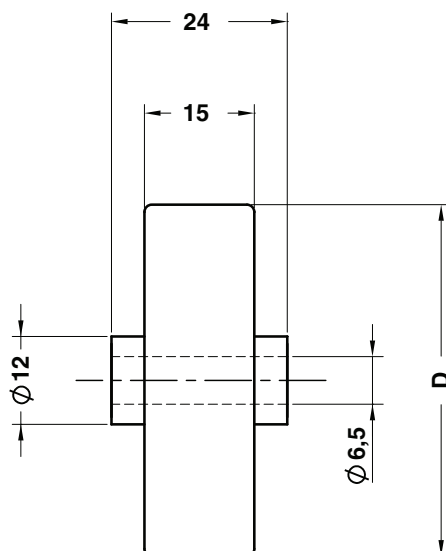


Art.	D=50
C16.18.	50

OMCR CODE	D	Max Load (daN)
C16.18.	50	70

Standard OMCR

ROLLER - ROLLE - ROTELLA



Notes

Material: Steel



Art.	D=48
C16.19.	48

OMCR CODE	D	Max Load (daN)
C16.19.	48	25