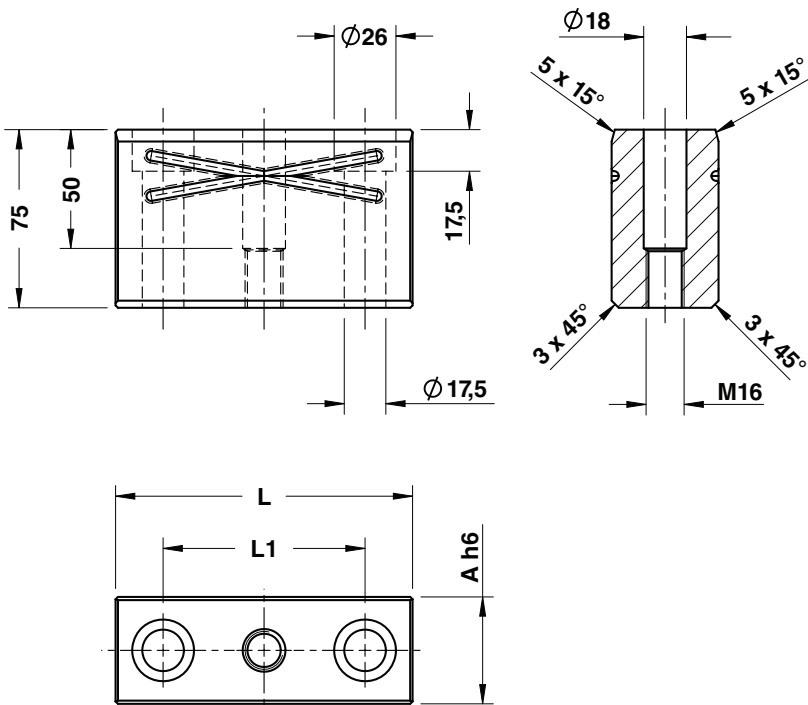


**LOCATING BLOCK - FANGBACKE - TASSELLO DI CENTRAGGIO**



Standard OMCR



**Notes**  
**Material:** 16MnCr5 - **HRC:** 60÷62

	Art.	A=45	L=125
	C14.30.	45	125

OMCR CODE	A	L	L1
C14.30.45100	45	100	60
C14.30.45125	45	125	85
C14.30.45160	45	160	120
C14.30.45200	45	200	160