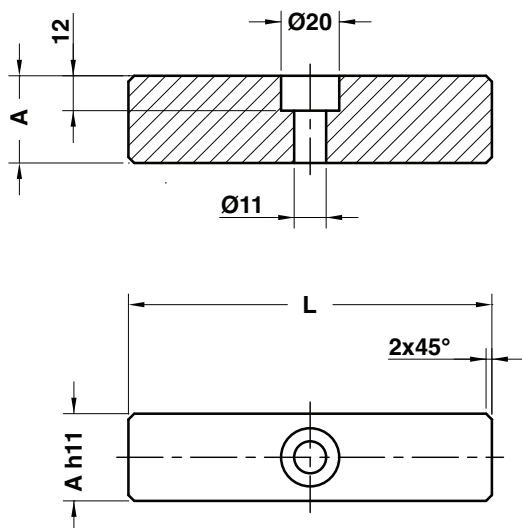


KEY - PASSFEDER - CHIAVETTA DI REAZIONE



STOCK



WEB



Notes

Material: CK45

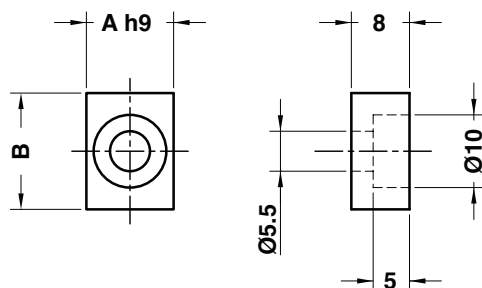


Art.	A=25	L=80
C14.10.	25	080

OMCR CODE	A	L
C14.10.25080	25	80
C14.10.25125	25	125
C14.10.30080	30	80
C14.10.30125	30	125

C14.11

RETAINER - HALTESTÜCK - RITEGNO PER MATRICE



STOCK



WEB



Notes

Material: CK45



Art.	A=12	B=16
C14.11.	12	16

OMCR CODE	A	B
C14.11.1216	12	16