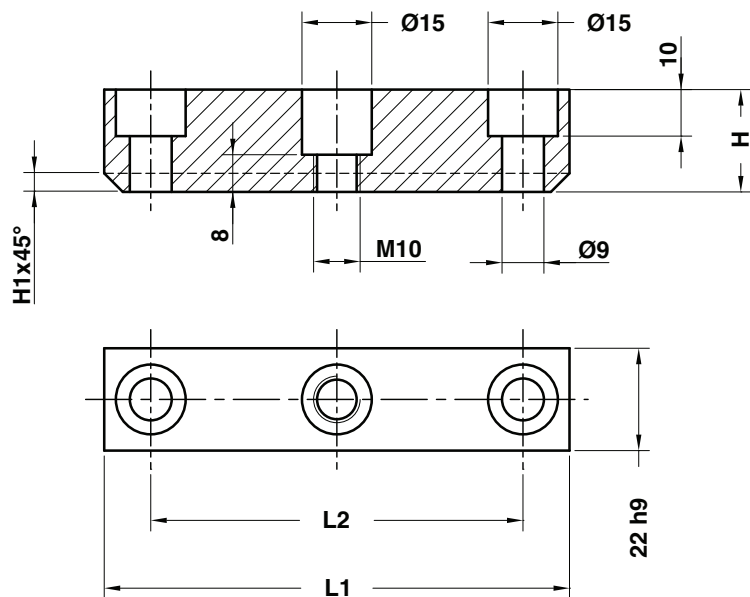


KEY - PASSFEDER - CHIAVETTA DI REAZIONE



Notes

Material: CK45

Standard OMCR



Art.	H=14	L1=50
C14.09.	14	050

OMCR CODE	H	H1	L1	L2
C14.09.14050	14	-	50	32
C14.09.14080	14	-	80	50
C14.09.14100	14	-	100	80
C14.09.14125	14	-	125	100
C14.09.22050	22	4	50	32
C14.09.22080	22	4	80	50
C14.09.22100	22	4	100	80
C14.09.22125	22	4	125	100
C14.09.40050	40	4	50	32
C14.09.40080	40	4	80	50
C14.09.40100	40	4	100	80
C14.09.40125	40	4	125	100