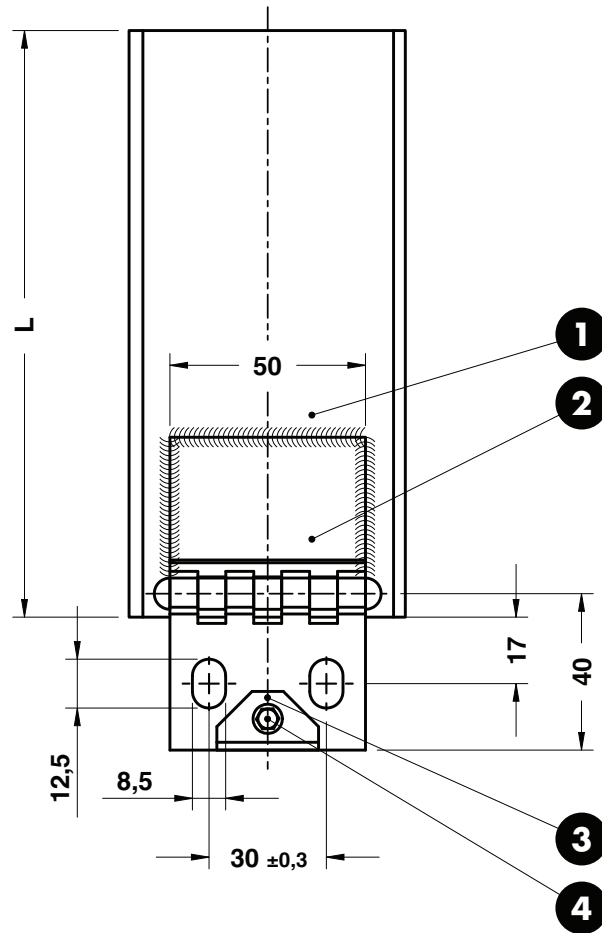
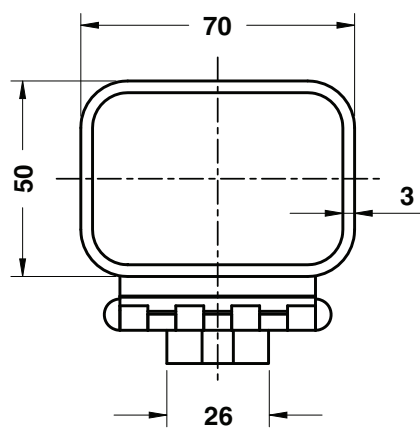


SPACING BAR - ABSTELLBOLZEN - DISTANZIALE



TYPE 02



SPACING BAR - ABSTELLBOLZEN - DISTANZIALE

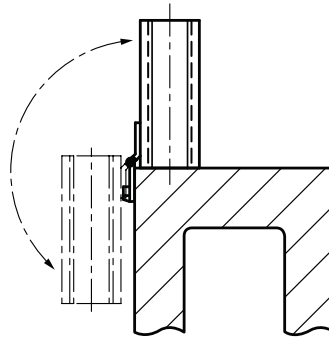


Respect the max. load
 Maximale Nutzlast beachten
 Rispettare il carico max.

Notes

- 1 **Material:** St37
- 2 AHA Hinge
- 3 **Material:** Elastomer 68SH
- 4 Screw M4x8 - DIN912

Application example



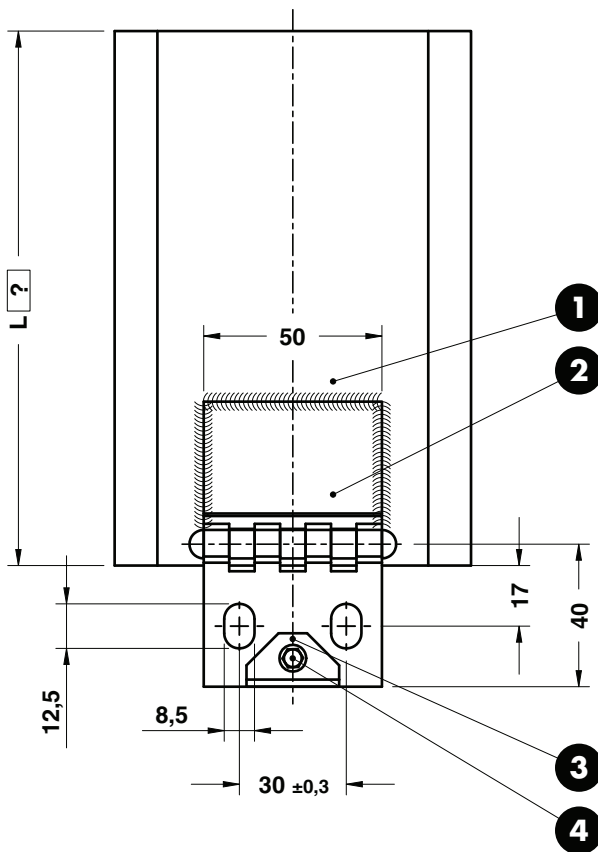
WEB

Standard OMCR

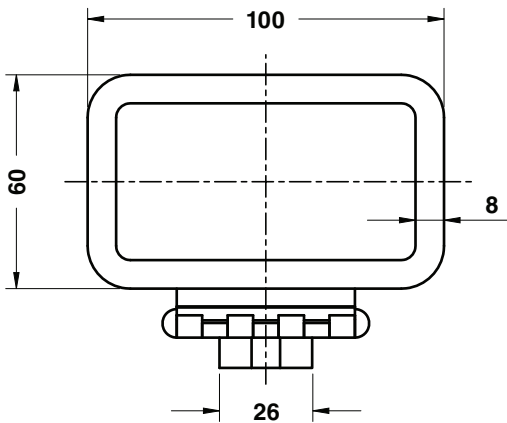
	Art.	TYPE	L=70
	C12.30.	02	070

OMCR CODE	TYPE	L	Max load (kN)	OMCR CODE	TYPE	L	Max load (kN)	OMCR CODE	TYPE	L	Max load (kN)
C12.30.02065	02	65	100	C12.30.02150	02	150	100	C12.30.02230	02	230	100
C12.30.02070	02	70	100	C12.30.02155	02	155	100	C12.30.02235	02	235	100
C12.30.02075	02	75	100	C12.30.02160	02	160	100	C12.30.02240	02	240	100
C12.30.02080	02	80	100	C12.30.02165	02	165	100	C12.30.02245	02	245	100
C12.30.02085	02	85	100	C12.30.02170	02	170	100	C12.30.02250	02	250	100
C12.30.02090	02	90	100	C12.30.02175	02	175	100	C12.30.02260	02	260	100
C12.30.02095	02	95	100	C12.30.02180	02	180	100	C12.30.02270	02	270	100
C12.30.02100	02	100	100	C12.30.02185	02	185	100	C12.30.02280	02	280	100
C12.30.02105	02	105	100	C12.30.02190	02	190	100	C12.30.02290	02	290	100
C12.30.02110	02	110	100	C12.30.02195	02	195	100	C12.30.02300	02	300	100
C12.30.02115	02	115	100	C12.30.02200	02	200	100	C12.30.02310	02	310	100
C12.30.02120	02	120	100	C12.30.02205	02	205	100	C12.30.02320	02	320	100
C12.30.02125	02	125	100	C12.30.02210	02	210	100	C12.30.02330	02	330	100
C12.30.02130	02	130	100	C12.30.02215	02	215	100	C12.30.02340	02	340	100
C12.30.02135	02	135	100	C12.30.02220	02	220	100	C12.30.02350	02	350	100
C12.30.02140	02	140	100	C12.30.02225	02	225	100				

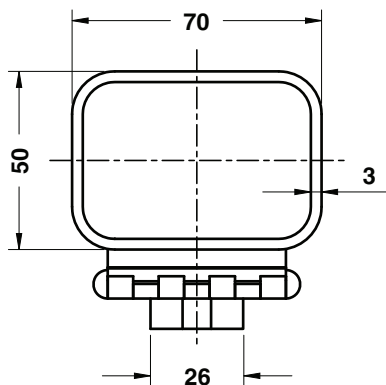
SPACING BAR - ABSTELLBOLZEN - DISTANZIALE



TYPE 01



TYPE 02



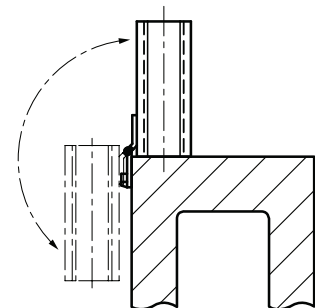
L max. = 400

Respect the max. load
Maximale Nutzlast beachten
Rispettare il carico max.

Notes

- 1 **Material:** St37
- 2 AHA Hinge
- 3 **Material:** Elastomer 68SH
- 4 Screw M4x8 - DIN912

Application example



OMCR CODE	TYPE	Max load (kN)
C12.30.	01	300
C12.30.	02	100

Art.	TYPE	L=200
C12.30.	01	200