

SPACER PLATE TOOTHED - DISTANZPLATTE GEZAHNT - TASSELLO DI COMPENSAZIONE

Notes

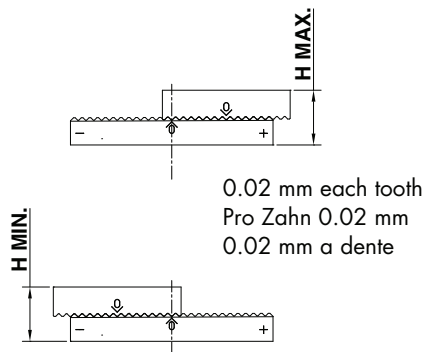
1 2 3

Material: 90MnCrV8
HRC: 58÷60

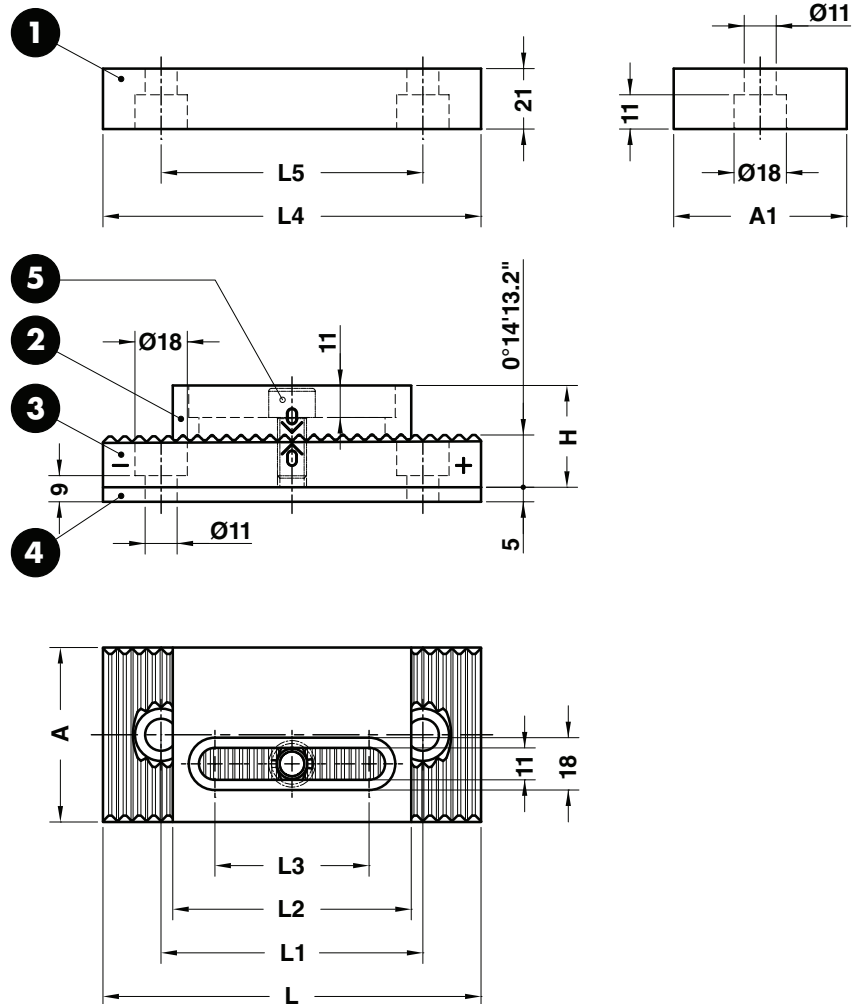
4 Material: X155CrVMo12

5 DIN 912

Application example



Standard OMCR



Art.	A=60	H=35	L=130
C12.16.	060	35	130

OMCR CODE	A	A1	H	H min.	H max.	L	L1	L2	L3	L4	L5
C12.16.06035130	60	60	35	34,88	35,12	130	90	90	61	130	90
C12.16.08035160	80	80	35	34,86	35,14	160	120	110	71	160	120