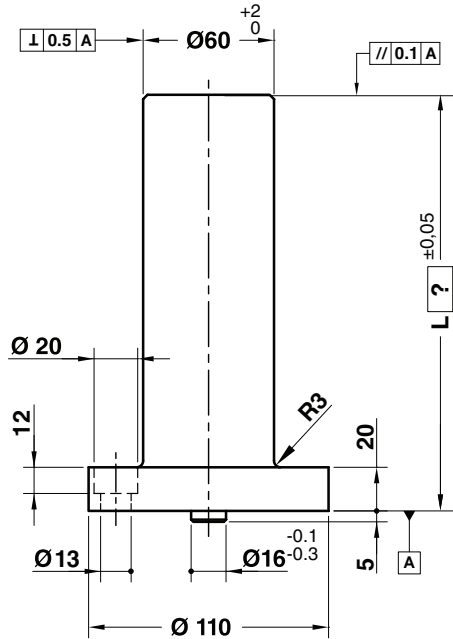
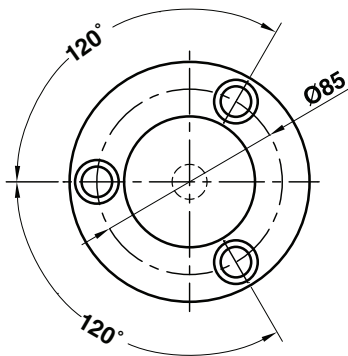


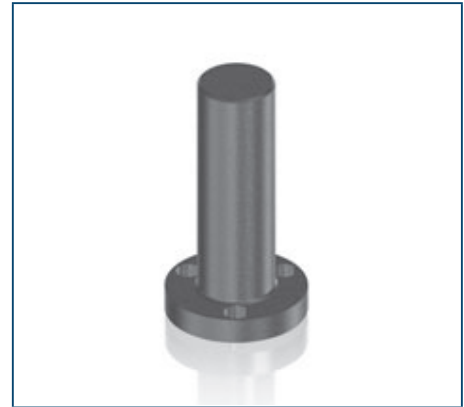
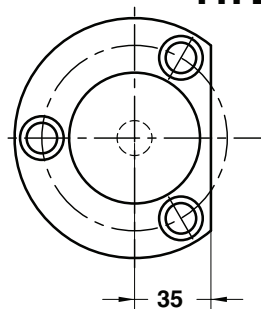
AIR PIN - UNTERLUFTBOLZEN - CANDELA



TYPE 01



TYPE 02

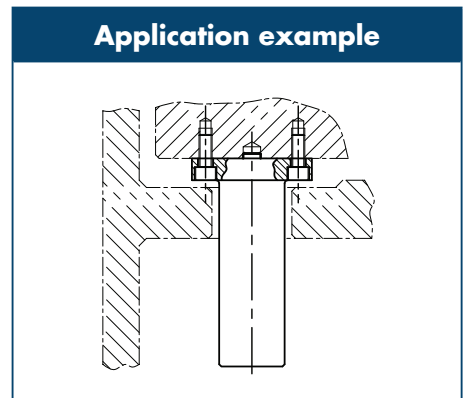


Standard OMCR



**Lmax = 450 mm**  
 Respect the max. load  
 Maximale Nutzlast beachten  
 Rispettare il carico max.

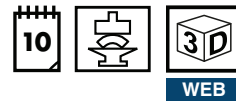
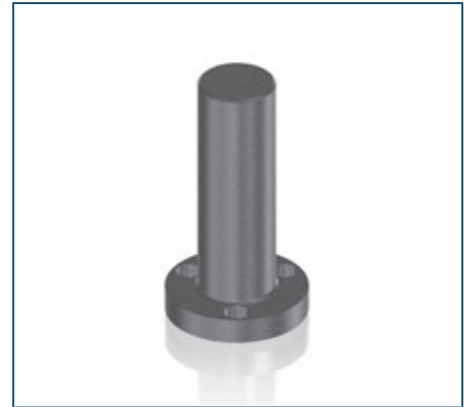
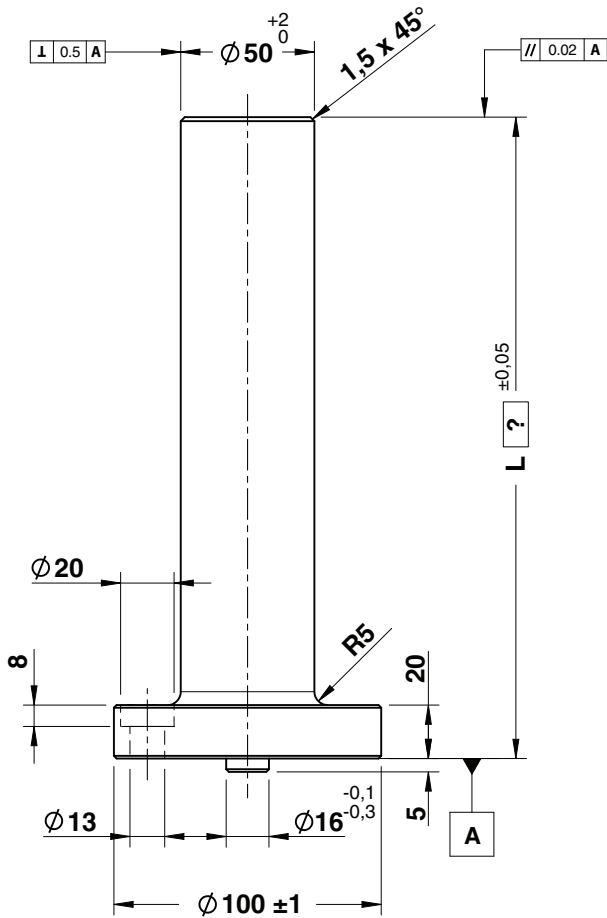
**Notes**  
**Material:** CK45 - 800÷1000 N/mm<sup>2</sup>



ORDER EXAMPLE	Art.	TYPE	L=220
	C12.11.	01	220

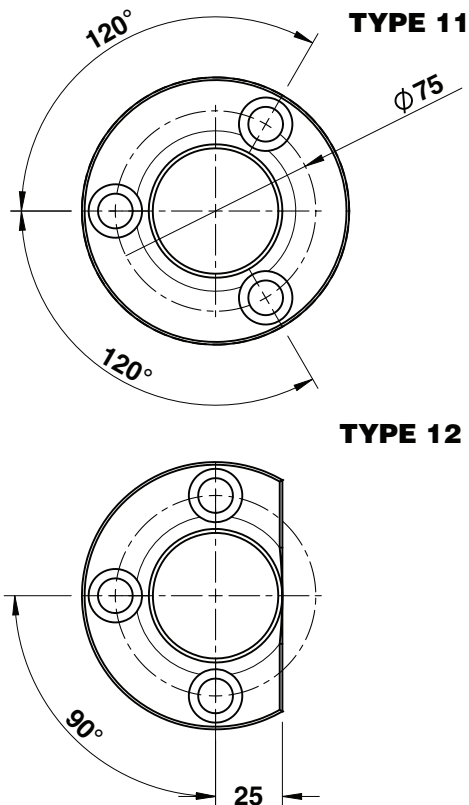
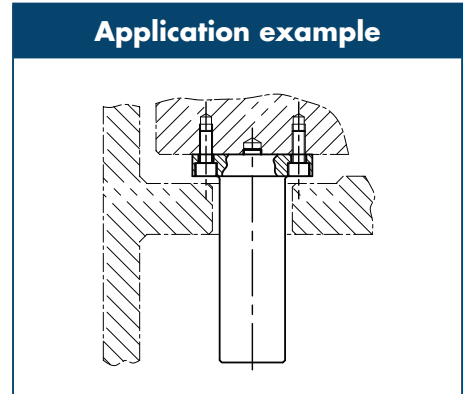
OMCR CODE	TYPE	Max Load (kN)
C12.11.	01	80
C12.11.	02	80

AIR PIN - UNTERLUFTBOLZEN - CANDELA



**⚠**  
 Lmax = 450 mm  
 Respect the max. load  
 Maximale Nutzlast beachten  
 Rispettare il carico max.

**Notes**  
**Material:** CK45 - 800÷1000 N/mm<sup>2</sup>



ORDER EXAMPLE	Art.	TYPE	L=220
	C12.11.	11	220

OMCR CODE	TYPE	Max Load (kN)
C12.11.	11	80
C12.11.	12	80