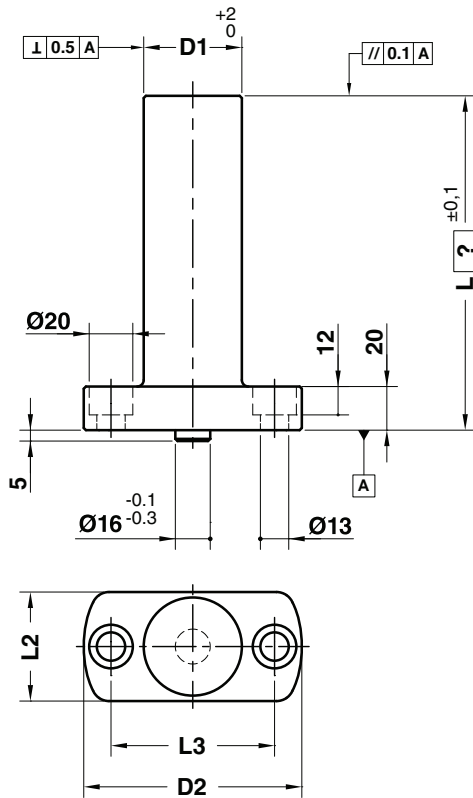


AIR PIN - DRUCKBOLZEN - CANDELA



!
 Lmax = 360 mm
 Respect the max. load
 Maximale Nutzlast beachten
 Rispettare il carico max.

Notes
Material: CK45 - 800÷1000 N/mm²

ORDER EXAMPLE	Art.	D1=36	L=230
	C12.10.	36	230

OMCR CODE	D1	D2	L2	L3	Max load (kN)
C12.10.	36	90	40	65	50
C12.10.	45	100	50	75	70