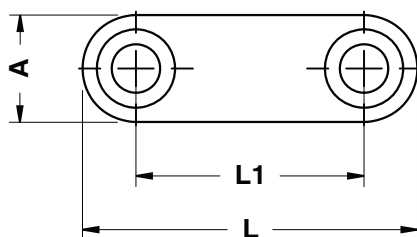
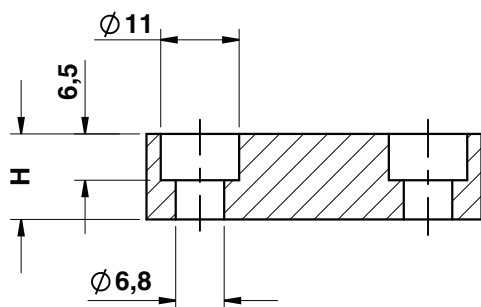


BACKING PLATE - DRUCKPLATTE - REAZIONE



Standard OMCR

STOCK



Notes
Material: CK45

	Art.	A=15	H=12	L=47
	C11.45.	15	12	047

OMCR CODE	A	H	L	L1	Used with Stamp Retainer
C11.45.1512045	15	12	45	30	C11.40.1518045
C11.45.1512047	15	12	47	32	C11.40.1518047
C11.45.1512055	15	12	55	40	C11.40.1518055
C11.45.1512063	15	12	63	48	C11.40.1518063
C11.45.1512071	15	12	71	56	C11.40.1518071