

STAMP RETAINER - HALTEPLATTE - PORTATIMBRI

Notes

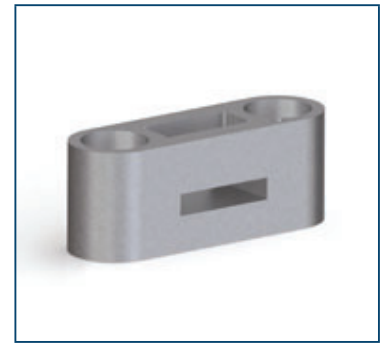
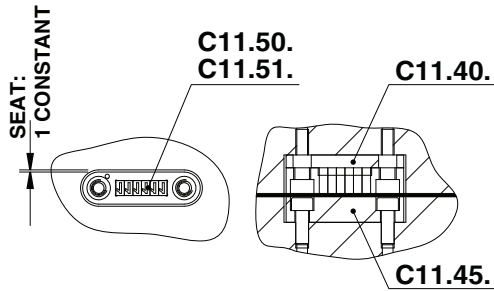
1 2

Material: CK45

3

ELASTIC PIN $\varnothing 2.5 \times 14$ DIN 1481

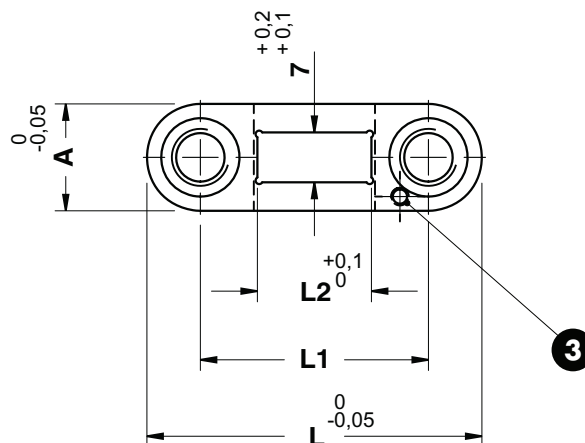
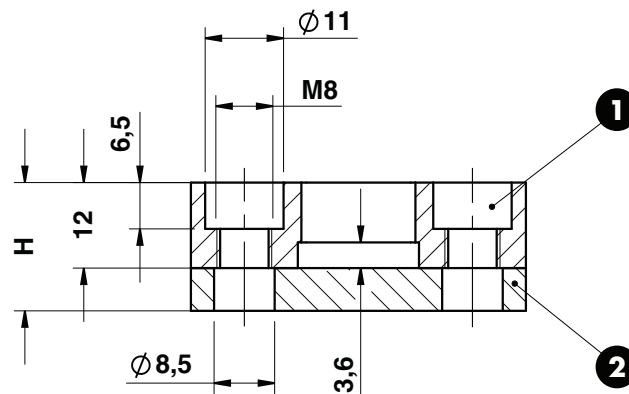
Application example



STOCK



WEB



Art.	A=15	H=18	L=47
C11.40.	15	18	047

OMCR CODE	A	H	L	L1	L2	Nr. of stamps C11.50.	Nr. of stamps C11.51.
C11.40.1518045	15	18	45	30	12	3	6
C11.40.1518047	15	18	47	32	16	4	8
C11.40.1518055	15	18	55	40	24	6	12
C11.40.1518063	15	18	63	48	32	8	16
C11.40.1518071	15	18	71	56	40	10	20