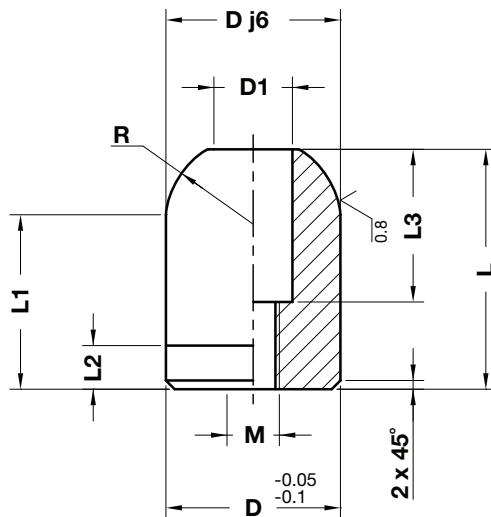


## LOCATING PIN - ZENTRIERBOLZEN - PERNO DI CENTRAGGIO



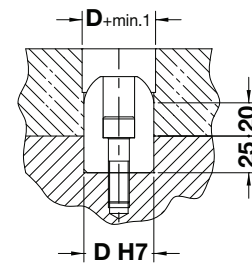
STOCK



### Notes

**Material:** 16MnCr5 - **HRC:** 58÷60

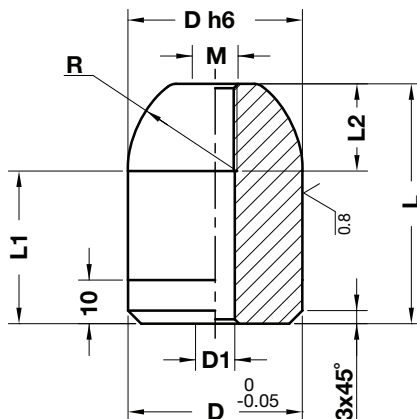
### Application example



Art.	D=22	L=45
C11.12.	22	45

OMCR CODE	D	D1	L	L1	L2	L3	M	R
C11.12.2245	22	14	45	37,5	8	25	10	12,5
C11.12.3250	32	18	50	40	10	35	12	20
C11.12.4055	40	18	55	40	10	35	12	20
C11.12.5055	50	18	55	40	10	35	12	20

## LOCATING PIN - ZENTRIERBOLZEN - PERNO DI CENTRAGGIO



STOCK



### Notes

**Material:** 16MnCr5 - **HRC:** 58÷60



Art.	D=22	L=45
C11.20.	22	45

OMCR CODE	D	D1	L	L1	L2	M	R
C11.20.2245	22	7	45	35	16	M8	15
C11.20.2255	22	7	55	45	16	M8	15
C11.20.3250	32	9	50	37,5	20	M10	20
C11.20.4055	40	9	55	35	20	M10	25
C11.20.4065	40	9	65	45	20	M10	25
C11.20.4085	40	9	85	65	20	M10	25
C11.20.5055	50	9	55	41,25	20	M10	25
C11.20.5680	56	9	80	60	20	M10	30