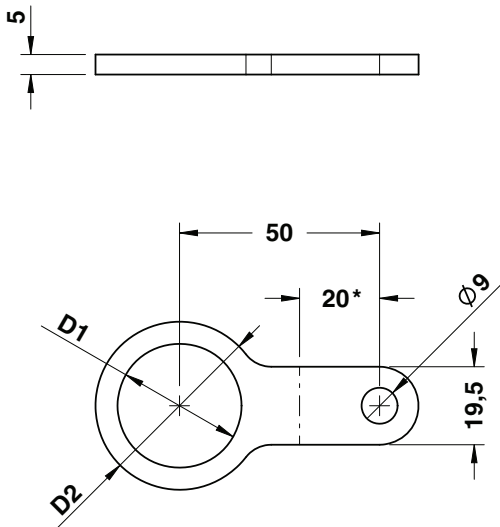


PLATE FOR SENSOR - HALTERUNG - PIASTRINA PORTASENSORE



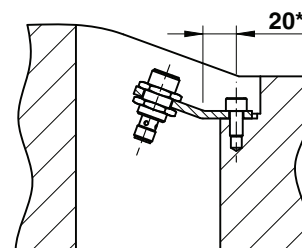
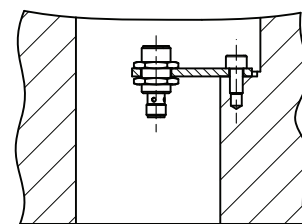
\* Biegekante  
Edge bending  
Linea di piegatura



Notes

Material: St37

Application example



	Art.
	C10.95.02

OMCR CODE	D1	D2	Using with sensor
C10.95.01	19	30	C10.90.03
C10.95.02	31	42	C10.90.04

Standard OMCR