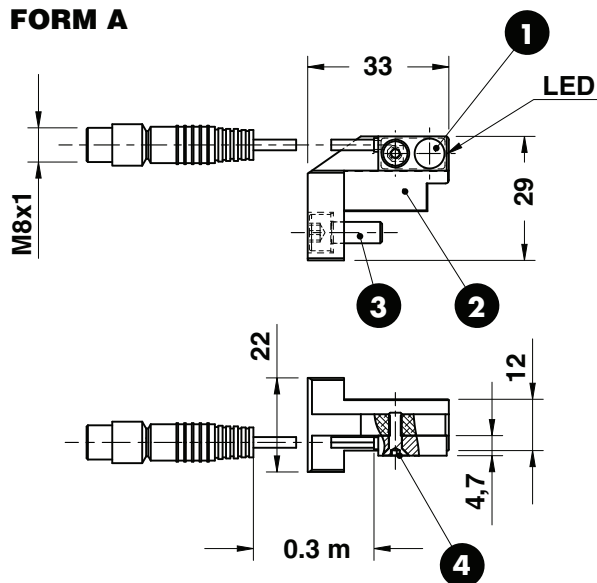
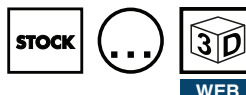
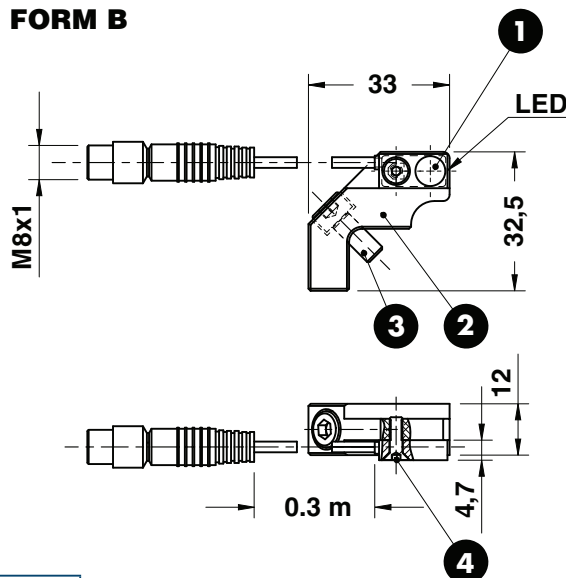


## SENSOR - INDUKTIVE SENSOR - SENSORE

### FORM A



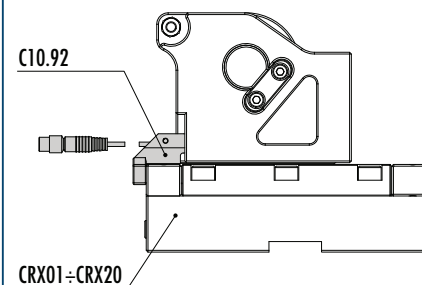
### FORM B



### Notes

- 1 Manufactured by Hersteller - Costruttore: **BALLUFF**
- 2 Aluminium
- 3 M5x12 DIN 912
- 4 M3x10 DIN 7991

### Application example



\* Max reading distance  
 Maximale Lesereichweite  
 Distanza massima di lettura

ORDER EXAMPLE	Art.
	C10.92.01

OMCR CODE	Form	MRD* on steel (mm)	Using with cam units
C10.92.01	A	2	CRX01
C10.92.02	B	2	CRX03, CRX05, CRX15, CRX20

### SENSOR TECHNICAL DATA

1	Rated operational voltage (Ue)	24 V DC
2	Supply voltage (Ub)	10...30 V DC
3	No load supply current (I <sub>o max.</sub> )	≤ 10 mA
4	Residual current (I <sub>r</sub> )	≤ 50 μA
5	Repeat accuracy (R)	≤ 1 %
6	Ambient temperature range (T <sub>a</sub> )	-25...+70 °C
7	Frequency of operating cycles (f)	5000 Hz
8	Degree of protection per IEC 60529	IP 67
9	Housing material	Brass
10	Connection	Cable with connector, 0.30 m
11	Approval	CE/UL
12	Switching output	PNP normally open