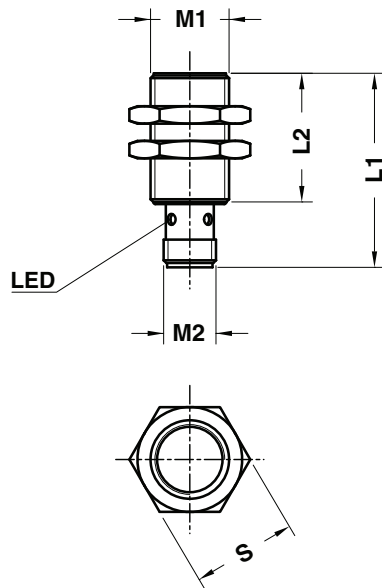


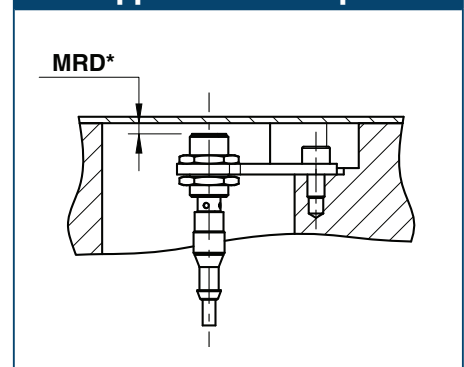
## SENSOR - INDUKTIVE SENSOR - SENSORE



### Notes

Manufactured by  
 Hersteller - Costruttore: **BALLUFF**

### Application example



\*Max reading distance  
 Maximale Lesereichweite  
 Distanza massima di lettura

ORDER EXAMPLE	Art.
	C10.90.01

OMCR CODE	L1	L2	M1	M2	S	MRD* on steel (mm)	MRD* on aluminium (mm)
C10.90.01	30	23,5	M8x1	M8x1	13	1,5	-
C10.90.02	45	30	M12x1	M12x1	17	4	-
C10.90.03	44,5	29,5	M18x1	M12x1	24	5	3
C10.90.04	44,5	30	M30x1,5	M12x1	36	10	6

TECHNICAL DATA	C10.90.01	C10.90.02	C10.90.03	C10.90.04
1 Rated operational voltage (Ue)	24 V DC	24 V DC	24 V DC	24 V DC
2 Supply voltage (Ub)	10...30 V DC	10...30 V DC	10...30 V DC	10...30 V DC
3 No load supply current (I <sub>0</sub> max.)	≤ 7 mA	≤ 10 mA	≤ 10 mA	≤ 25 mA
4 Residual current (I <sub>r</sub> )	≤ 10 μA	≤ 50 μA	≤ 50 μA	≤ 80 μA
5 Repeat accuracy (R)	≤ 5 %	≤ 5 %	≤ 5 %	≤ 5 %
6 Ambient temperature range (Ta)	-40...+85° C	-25...+85° C	-25...+70° C	-25...+70° C
7 Frequency of operating cycles (f)	5000 Hz	2000 Hz	1000 Hz	150 Hz
8 Degree of protection per IEC 60529	IP 68	IP 68	IP 67	IP 67
9 Housing material	Stainless Steel	Stainless Steel	Brass	Brass
10 Connection	Connector	Connector	Connector	Connector
11 Approval	CE/UL	CE/UL	CE/UL	CE/UL
12 Switching output	PNP normally open	PNP normally open	PNP normally open	PNP normally open