

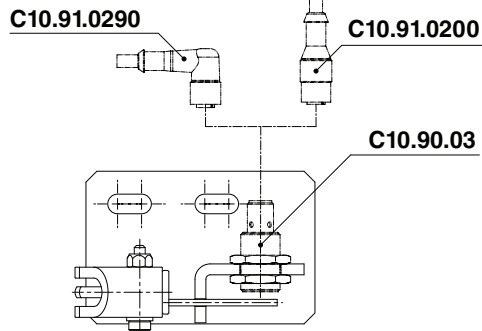
SUPPORT FOR SENSOR - LAGEKONTROLLE FÜR PLATINEN - SUPPORTO SENSORE

Notes

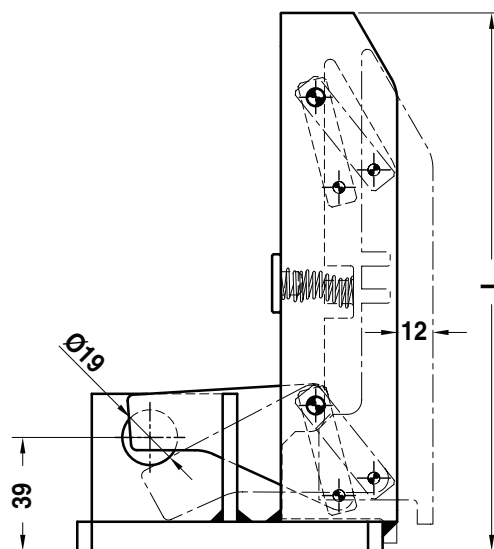
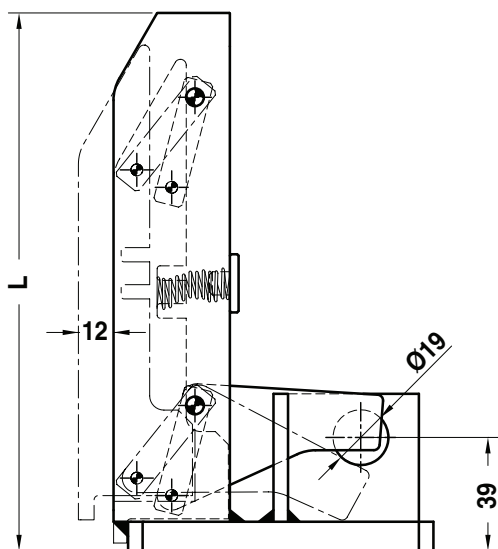
Material: Steel

Only for replacement
Nur für Reparatur
Solo per riparazione

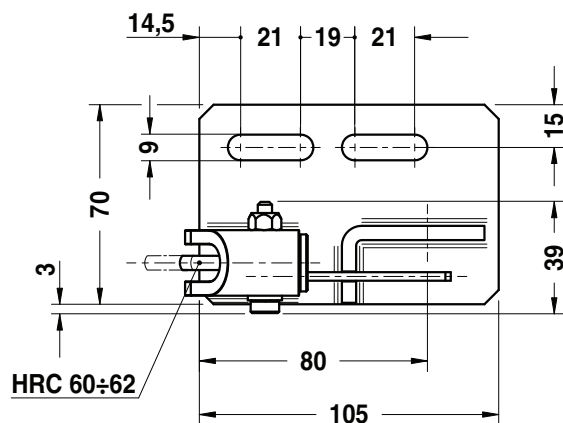
Application example



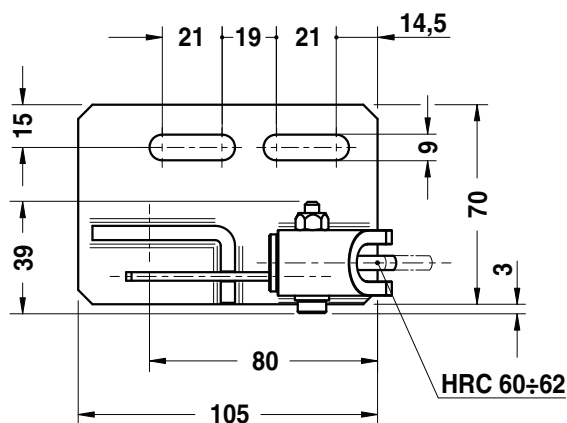
Standard OMCR



FORM A



FORM B



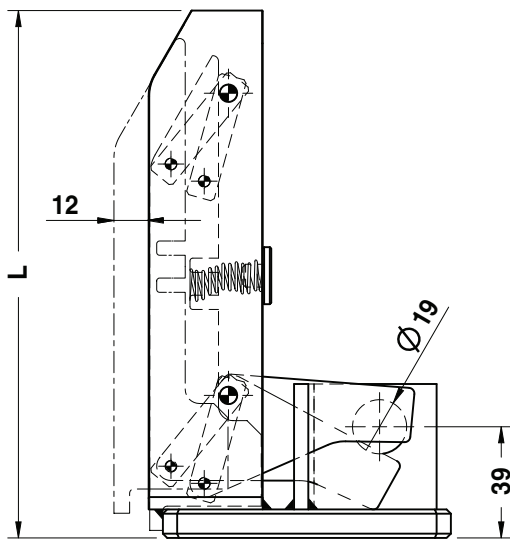
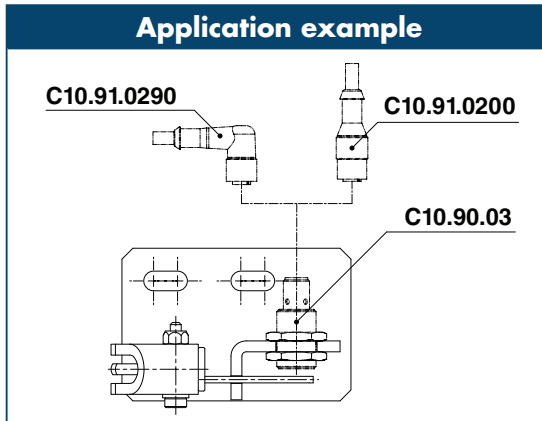
Art.	TYPE
C10.25.	01

OMCR CODE	TYPE	L	FORM
C10.25.01	01	145	A
C10.25.02	02	145	B
C10.25.03	03	185	A
C10.25.04	04	185	B
C10.25.25	25	225	A
C10.25.26	26	225	B

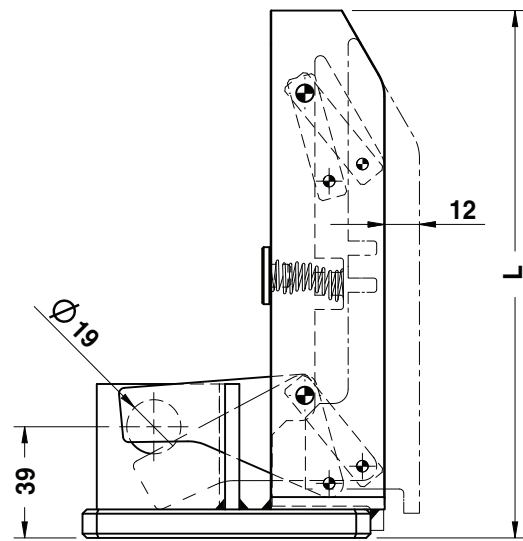
SUPPORT FOR SENSOR - LAGEKONTROLLE FÜR PLATINEN - SUPPORTO SENSORE

Notes

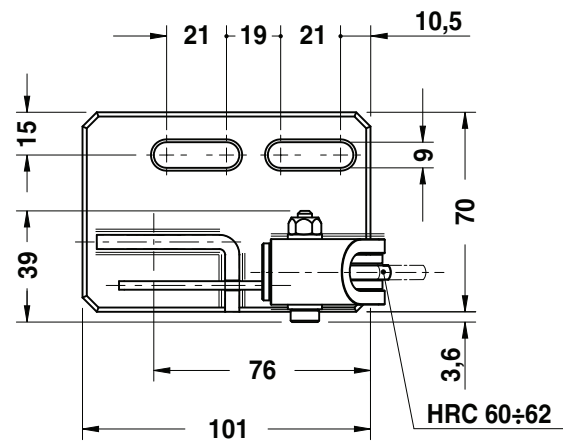
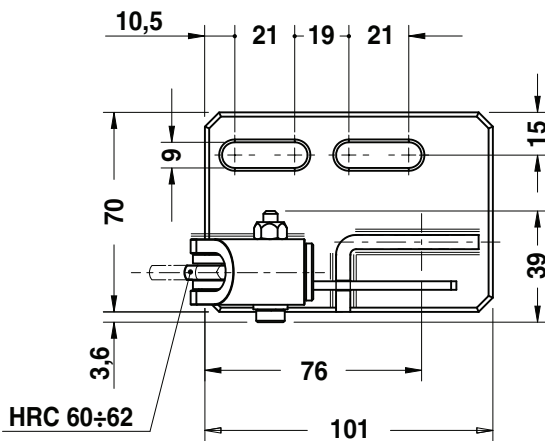
Material: Steel



FORM A



FORM B



Art.	TYPE
C10.25.	30

OMCR CODE	TYPE	L	FORM
C10.25.30	30	145	A
C10.25.31	31	145	B
C10.25.32	32	185	A
C10.25.33	33	185	B
C10.25.34	34	225	A
C10.25.35	35	225	B