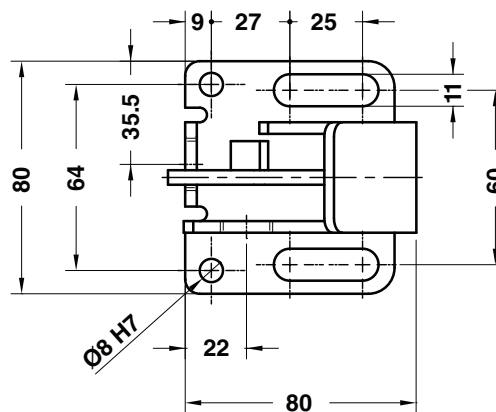
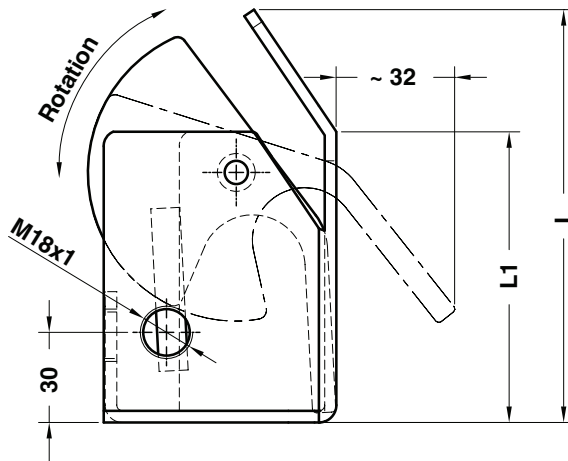
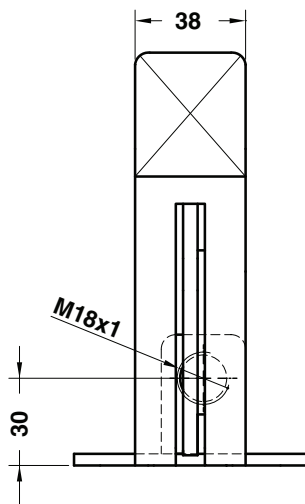
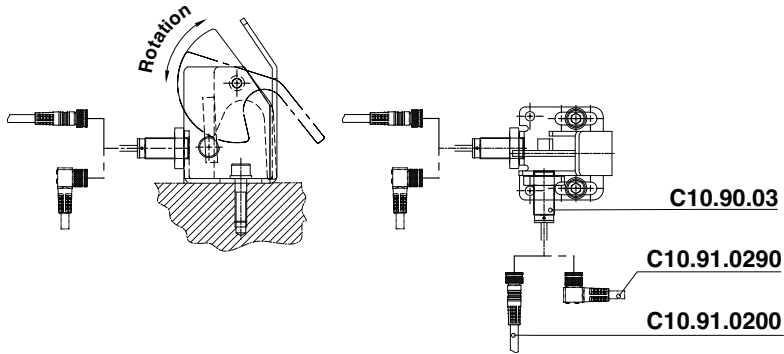


## FRONT GAGE - EINLAUFANSCHLAG - PORTASENSORE

### Notes

**Material:** St37

### Application example



Art.	L=142
C10.20.	142

OMCR CODE	L	L1
C10.20.117	117	75
C10.20.142	142	100
C10.20.192	192	150