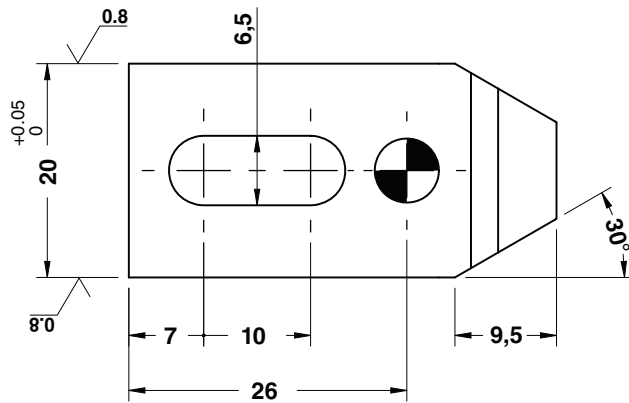
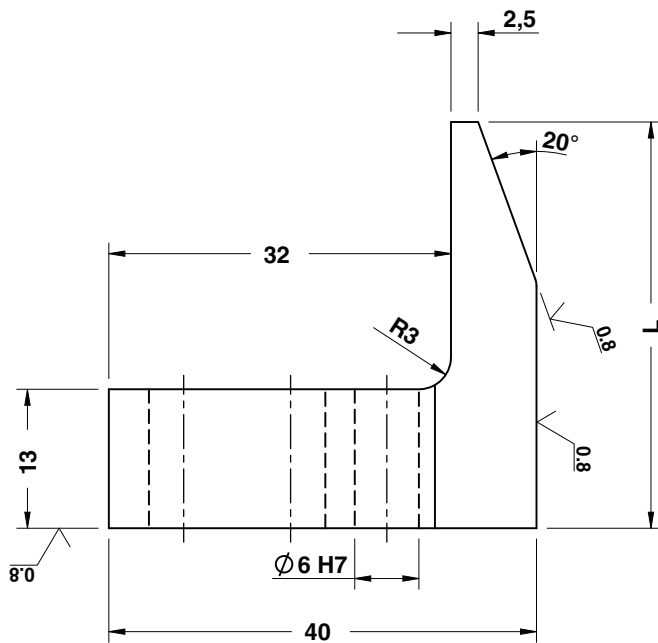


GAGE - EINWEISER - RIFERIMENTO



STOCK

3D

WEB

Notes

Material: 21MnCr5 - **HRC:** 58÷60

ORDER
EXAMPLE

Art.	L=38
C10.18.	038

OMCR CODE	L
C10.18.028	28
C10.18.038	38
C10.18.048	48
C10.18.058	58
C10.18.068	68
C10.18.078	78
C10.18.088	88