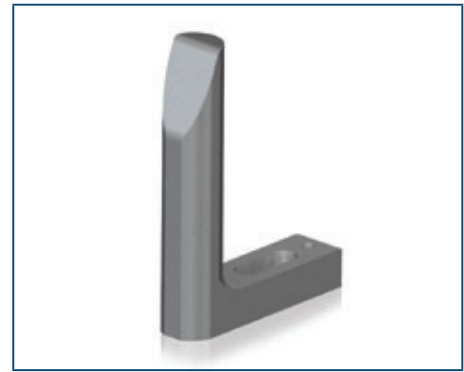
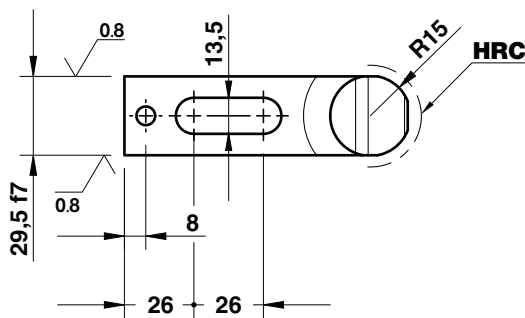
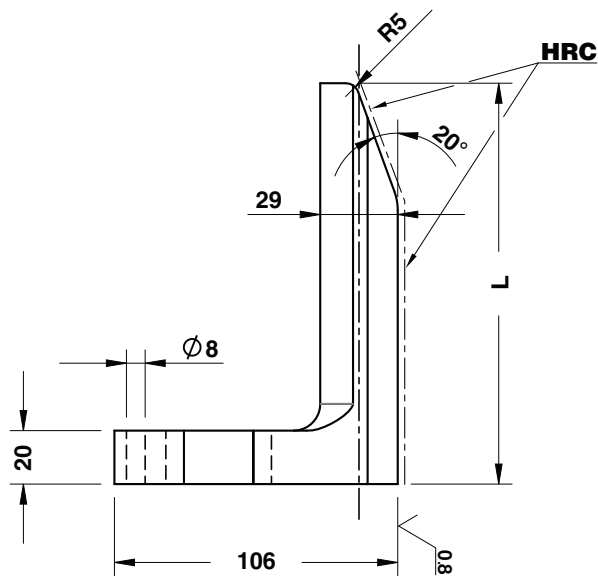


PRECISION GAGE - FEINENWEISER - RIFERIMENTO DI PRECISIONE



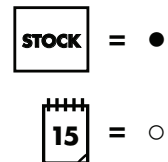
Notes

Material: CK60 - HRC: 58÷60



WEB

Delivery time
Lieferzeit in Werktagen
Tempi di spedizione



ORDER EXAMPLE	Art.	L=70
	C10.16.	070

OMCR CODE	L	Delivery Time	OMCR CODE	L	Delivery Time	OMCR CODE	L	Delivery Time
C10.16.065	65	●	C10.16.145	145	○	C10.16.225	225	○
C10.16.070	70	○	C10.16.150	150	●	C10.16.230	230	○
C10.16.075	75	○	C10.16.155	155	○	C10.16.235	235	○
C10.16.080	80	○	C10.16.160	160	○	C10.16.240	240	○
C10.16.085	85	○	C10.16.165	165	○	C10.16.245	245	○
C10.16.090	90	●	C10.16.170	170	○	C10.16.250	250	●
C10.16.095	95	○	C10.16.175	175	○	C10.16.260	260	○
C10.16.100	100	○	C10.16.180	180	●	C10.16.270	270	○
C10.16.105	105	○	C10.16.185	185	○	C10.16.280	280	○
C10.16.110	110	○	C10.16.190	190	○	C10.16.290	290	○
C10.16.115	115	○	C10.16.195	195	○	C10.16.300	300	●
C10.16.120	120	●	C10.16.200	200	○	C10.16.310	310	○
C10.16.125	125	○	C10.16.205	205	○	C10.16.320	320	○
C10.16.130	130	○	C10.16.210	210	○	C10.16.330	330	○
C10.16.135	135	○	C10.16.215	215	○	C10.16.340	340	○
C10.16.140	140	○	C10.16.220	220	○	C10.16.350	350	●