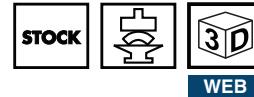
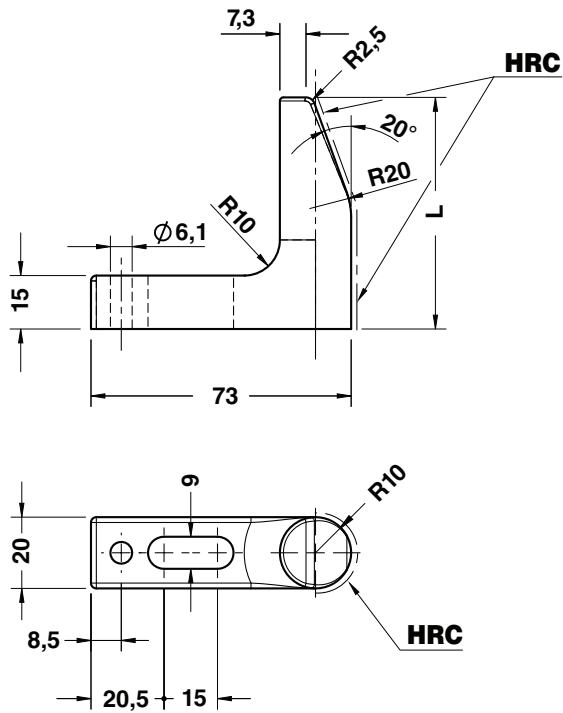


GAGE HARDENED - EINWEISER GEHÄRTET - RIFERIMENTO INDURITO

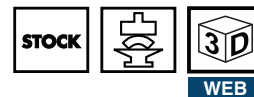
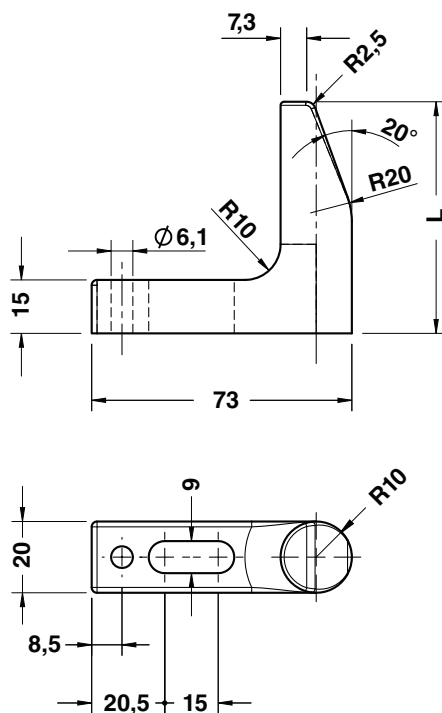


Notes
Material: CK60 - HRC: 58÷60

ORDER EXAMPLE	Art.	L=65
	C10.13.	065

OMCR CODE	L
C10.13.065	65
C10.13.090	90

GAGE - EINWEISER - RIFERIMENTO



Notes
Material: CK60

ORDER EXAMPLE	Art.	L=65
	C10.14.	065

OMCR CODE	L
C10.14.065	65
C10.14.090	90