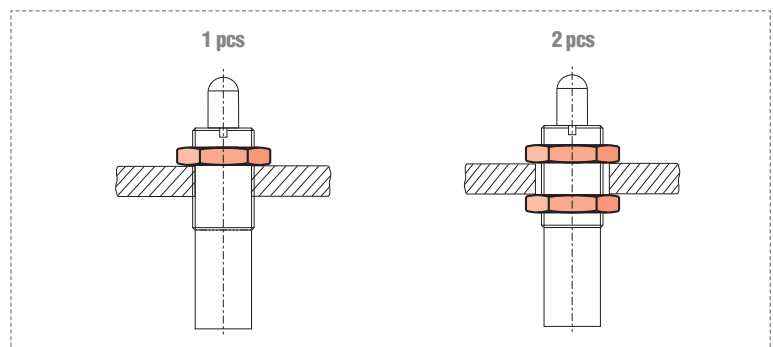
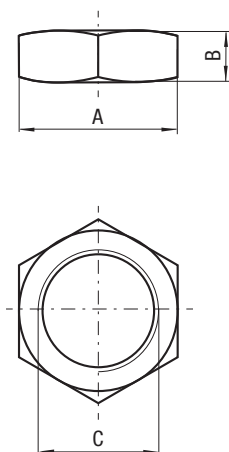


CODE (1 pcs)	Reference to standards	$\varnothing A$		B		C
		mm	inch	mm	inch	
GM 38	0	53	2.09	12	0.47	M 38 X 1,5
⚠ GM 45	0	62	2.44	12,3	0.48	M 45 X 1,5
⚠ GM 50	0	68	2.68	12,9	0.51	M 50 X 1,5

⚠ Phasing out

DM - DI



CODE (1 pcs)	Reference to standards	A	B		C
			mm	inch	
DM 16	0-28	S24	8	0.31	M 16 x 1,5
39DM16X2A	0	S24	8	0.31	M 16 x 2
39DI5/8-11A	0	S26	9	0.36	5/8" - 11 UNC
DM 24	0-28	S36	10	0.39	M 24 x 1,5
DI 1" - 8	0	S38	14	0.55	1" - 8