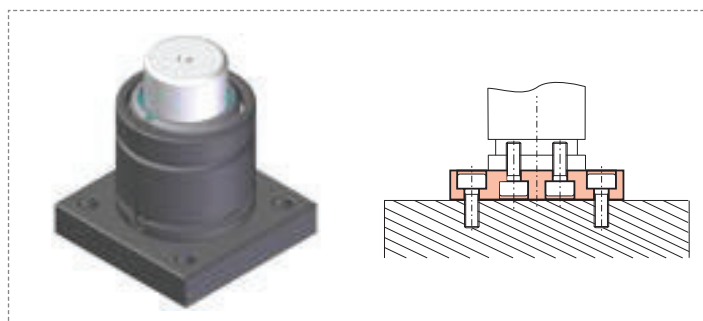
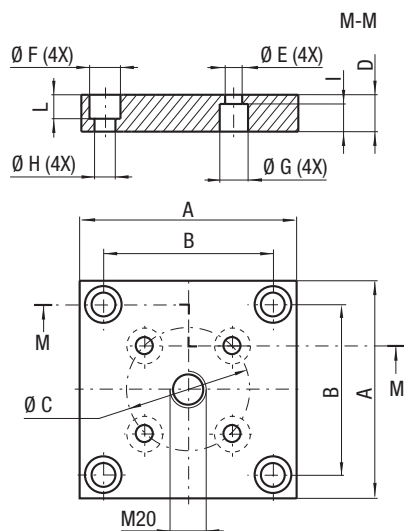


CODE	Reference to standards	A		B		C		D		Ø E		Ø F		Ø G		Ø H		I		L	
		mm	inch	mm	inch	mm	inch	mm	inch	mm	inch	mm	inch	mm	inch	mm	inch	mm	inch	mm	inch
FBB 45	3-14	70	2.76	50	1.97	20	0.79	20	0.79	9	0.35	15	0.59	15	0.59	9	0.35	12	0.47	12	0.47
FBB 50	3-14	75	2.95	56,5	2.22	20	0.79	20	0.79	9	0.35	15	0.59	15	0.59	9	0.35	12	0.47	12	0.47
FBB 63	3-14	100	3.94	73,5	2.89	20	0.79	20	0.79	9	0.35	18	0.71	15	0.59	11	0.43	12	0.47	12	0.47



CODE	Reference to standards	A		B		Ø C		D		Ø E		Ø F		Ø G		Ø H		I		L	
		mm	inch	mm	inch	mm	inch	mm	inch	mm	inch	mm	inch	mm	inch	mm	inch	mm	inch	mm	inch
FBB 75	3-14	100	3.94	73,5	2.89	40	1.57	20	0.79	9	0.35	18	0.71	15	0.59	11	0.43	12	0.47	14	0.55
FBB 95	3-14	120	4.72	92	3.62	60	2.36	20	0.79	9	0.35	20	0.79	15	0.59	13,5	0.53	14	0.55	13	0.51
FBB 120	3-14	140	5.51	109,5	4.31	80	3.15	20	0.79	11	0.43	20	0.79	18	0.71	13,5	0.53	15	0.59	13	0.51
FBB 150 A	3-14	190	7.48	138	5.43	100	3.94	20	0.79	11	0.43	20	0.79	18	0.71	13,5	0.53	15	0.59	13	0.51
FBB 195	14	210	8.27	170	6.69	120	4.72	25	0.98	13,5	0.53	26	1.02	20	0.79	17,5	0.69	15	0.59	17	0.67