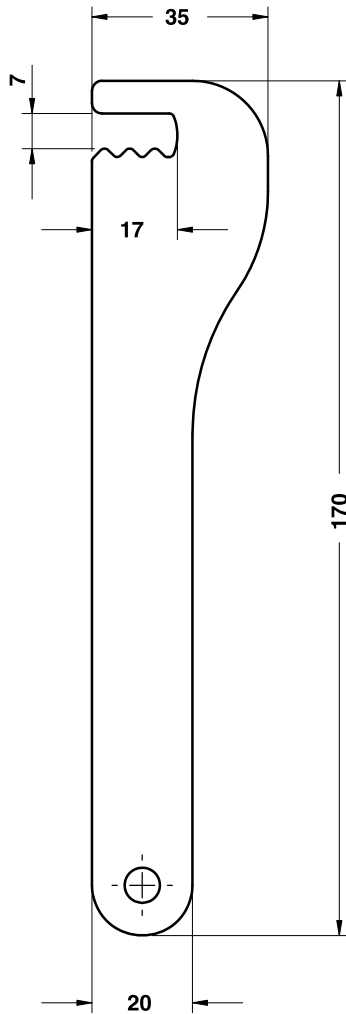
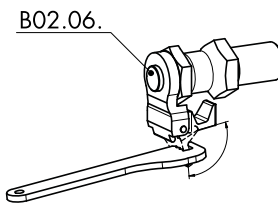
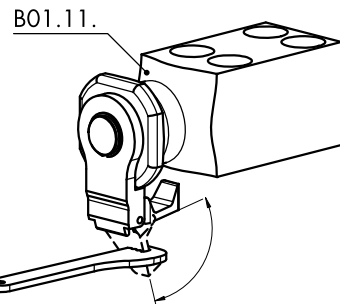


**ROPE SAFETY STOP OPENING KEY
SCHLÜSSEL FÜR SEILSICHERUNG
CHIAVE PER APERTURA SICUREZZA FERMAFUNDE**



Application Example



Notes

Material: CK45
To use for B01.11. - B02.06.



Art.
B09.10.01

OMCR CODE

B09.10.01