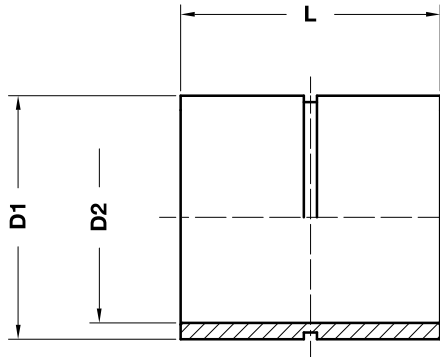
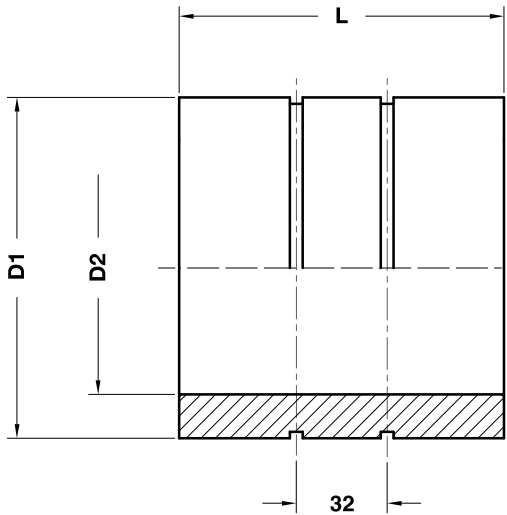


**BUSH FOR LIFTING PIN VDI-BAK  
 BUCHSE FÜR TRAGBOLZEN VDI-BAK  
 BOCCOLA PER PERNO DI SOLLEVAMENTO VDI-BAK**



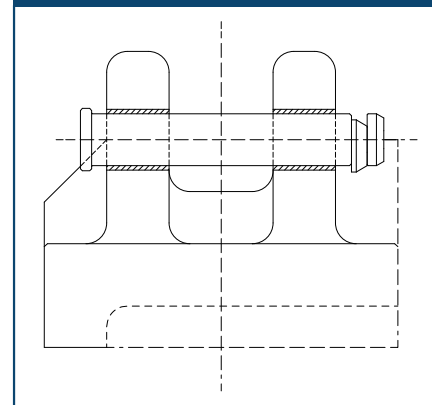
**FORM A**



**FORM B**



**Application Example**



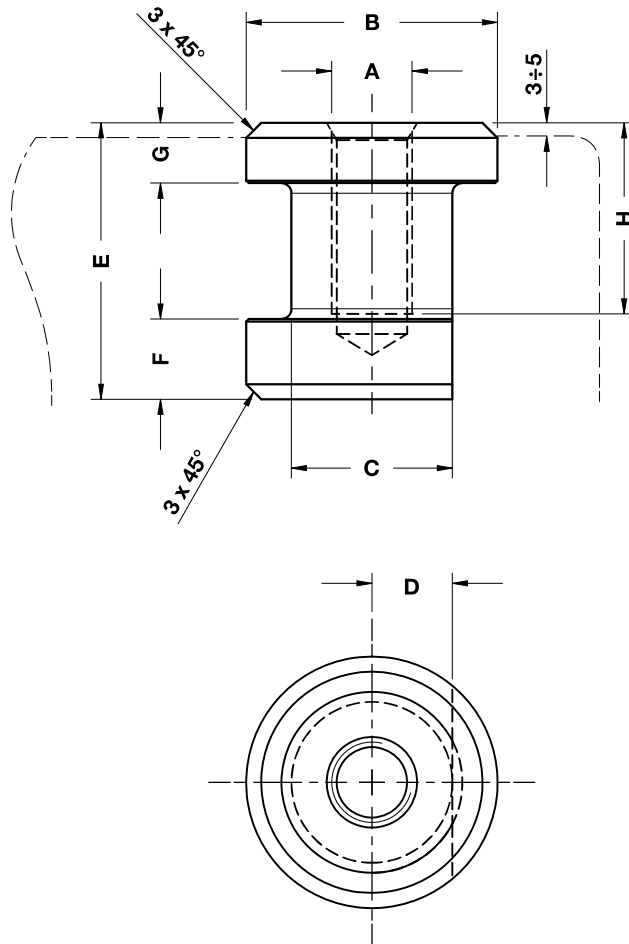
**Notes**

**Material:** St35

Art.	D1	D2	L
B08.11.	044	34	040

OMCR CODE	D1	D2	L	FORM
B08.11.04434040	44	34	40	A
B08.11.05242050	52	42	50	A
B08.11.06252060	62	52	60	A
B08.11.07565080	75	65	80	A
B08.11.10078100	100	78	100	B
B08.11.10578100	105	78	100	B

**THREADED STEEL INSERT  
GEWINDEINSATZ AUS STAHL  
INSERTO FILETTATO IN ACCIAIO**

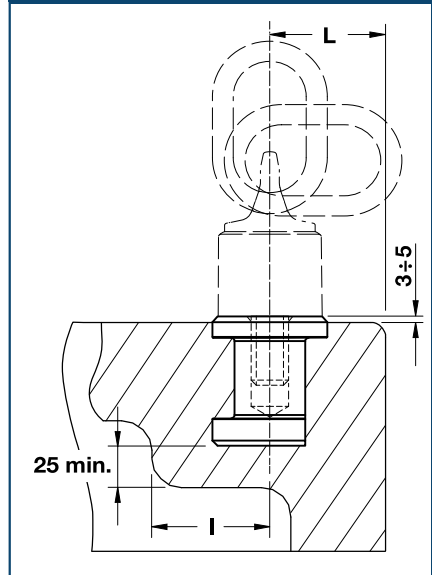


Inserts are to be used in cast iron die only (do not use in cast steel).



STOCK

**Application Example**



Lifting Elements

**Notes**

**Material:** 42CrMo4 + QT

	Art.	A
	B08.20.	M20

OMCR CODE	Max load 1 point (kg)	Max load 2÷4 point (kg)	A	B	C	D	E	F	G	H	I	L
B08.20.M16	1000	2000	M16	50	32	16	55	16	12	42	60	60
B08.20.M20	2100	4200	M20	65	36	18	65	16	12	47	70	70
B08.20.M24	3000	6000	M24	65	40	20	75	16	12	57	80	80
B08.20.M30	5000	10000	M30	85	60	30	90	20	20	67	100	100
B08.20.M36	6500	13000	M36	107	80	40	100	22	22	77	110	110
B08.20.M42	7200	14400	M42	107	80	40	130	25	25	95	120	120
B08.20.M48	8000	16000	M48	107	80	40	150	30	30	110	130	130