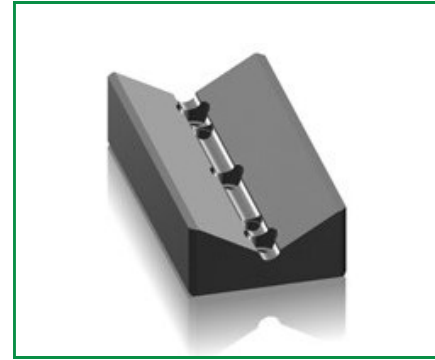
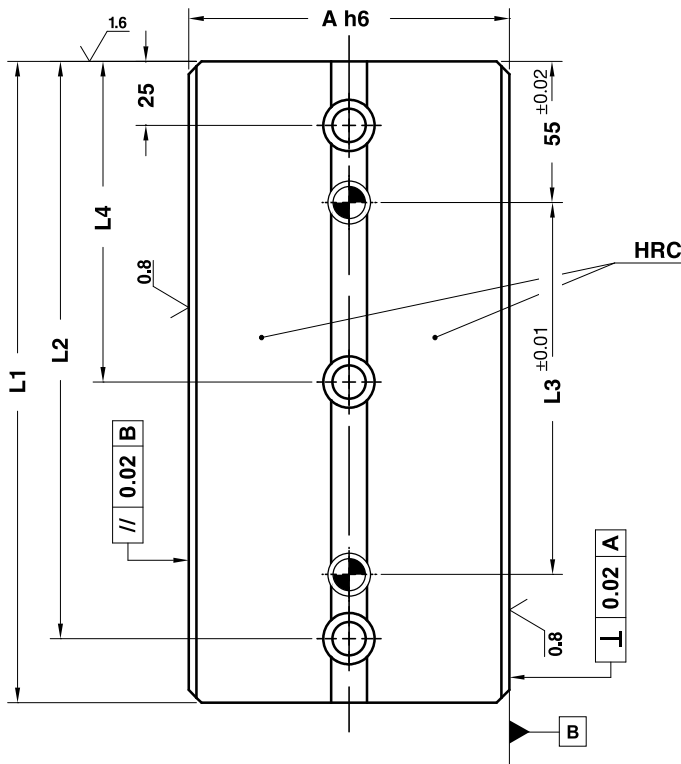
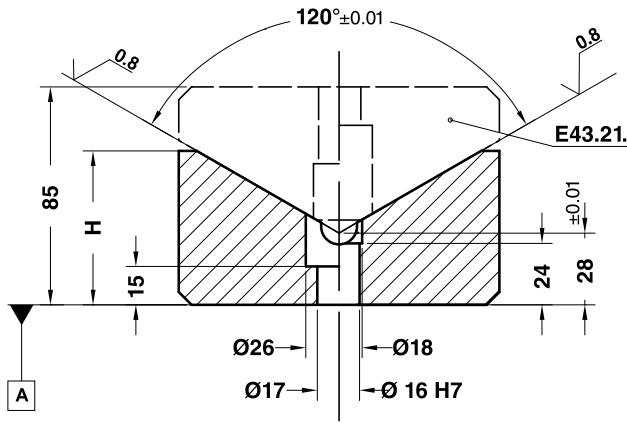


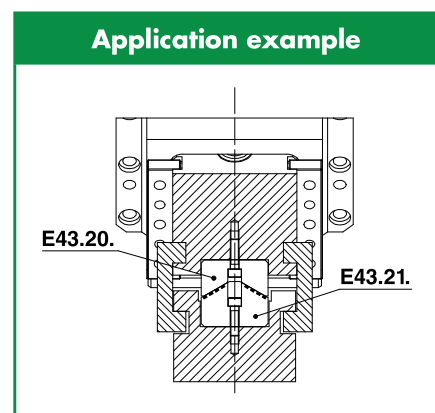
**"V" DRIVER STEEL VDI 3357  
PRISMENFÜHRUNG VDI 3357  
GUIDA A "V" IN ACCIAIO VDI 3357**



STOCK WEB

**Notes**

**Material:** CK45  
**HRC:** 58÷60



	Art.	A=125	H=60	L1=150
	E43.20.	125	60	150

OMCR CODE	A	H	L1	L2	L3	L4
E43.20.12560150	125	60	150	125	45	-
E43.20.12560200	125	60	200	175	95	-
E43.20.12560250	125	60	250	225	145	125
E43.20.12560300	125	60	300	275	195	150

Sliding Elements