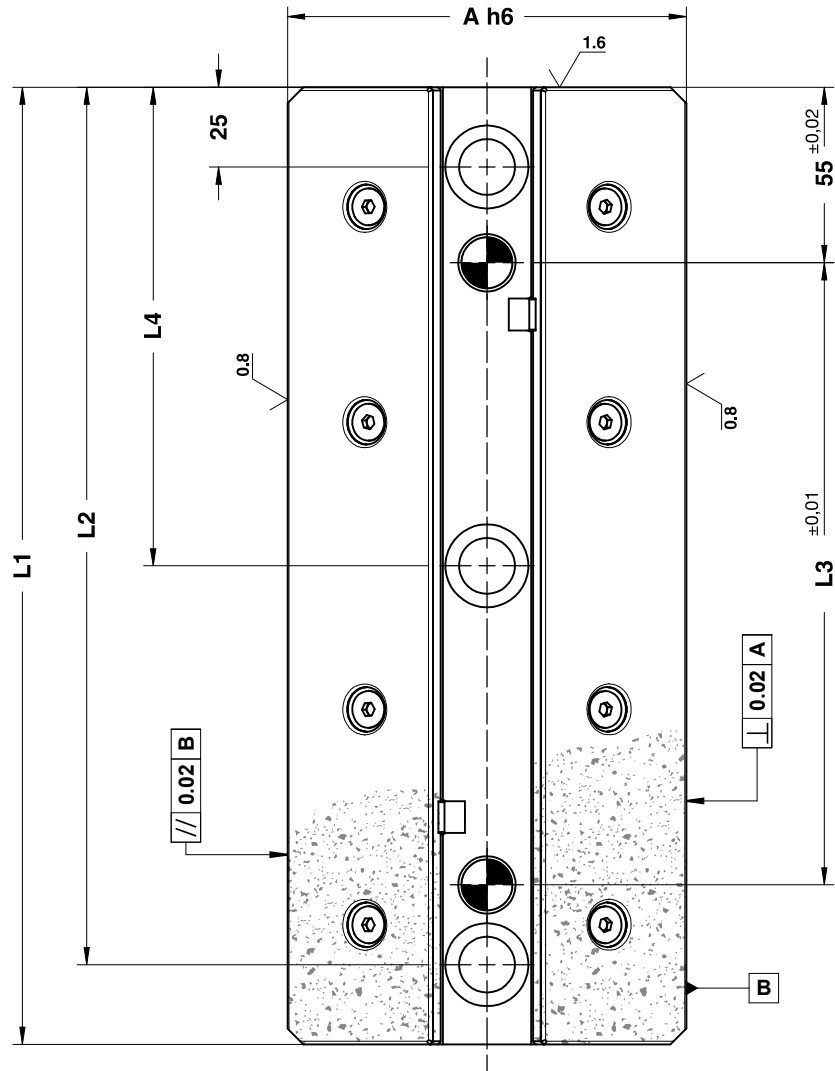
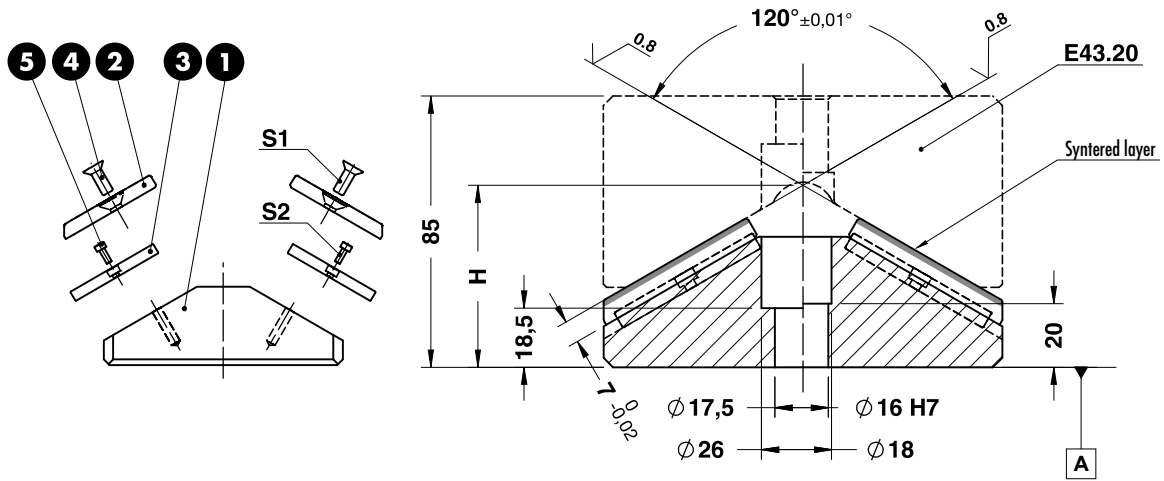


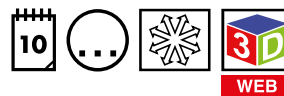
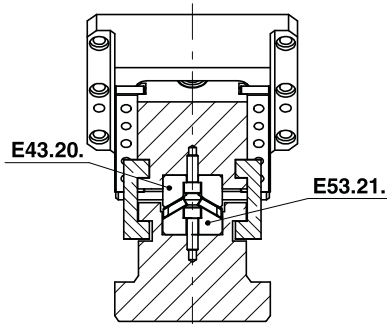
**SINTERED "V" DRIVER  
PRISMENFÜHRUNG STAHL MIT SINTERGLEITFLÄCHE  
GUIDA A "V" IN ACCIAIO SINTERIZZATO**



Notes

- 1** Material: Steel
- 2** E50.55
- 3** Key - **Material:** CK45
- 4** DIN 7984 - M6 x 16
- 5** DIN 912 - M3 x 8

Application example



	Art.	A=125	H=57	L1=200
	E53.21.	125	57	200

OMCR CODE	A	H	L1	L2	L3	L4	S1	S2
E53.21.12557150	125	57	150	125	45	-	Nr6 - M6 x 16	Nr2 - M3 x 8
E53.21.12557200	125	57	200	175	95	-	Nr6 - M6 x 16	Nr2 - M3 x 8
E53.21.12557250	125	57	250	225	145	125	Nr8 - M6 x 16	Nr2 - M3 x 8
E53.21.12557300	125	57	300	275	195	150	Nr8 - M6 x 16	Nr2 - M3 x 8