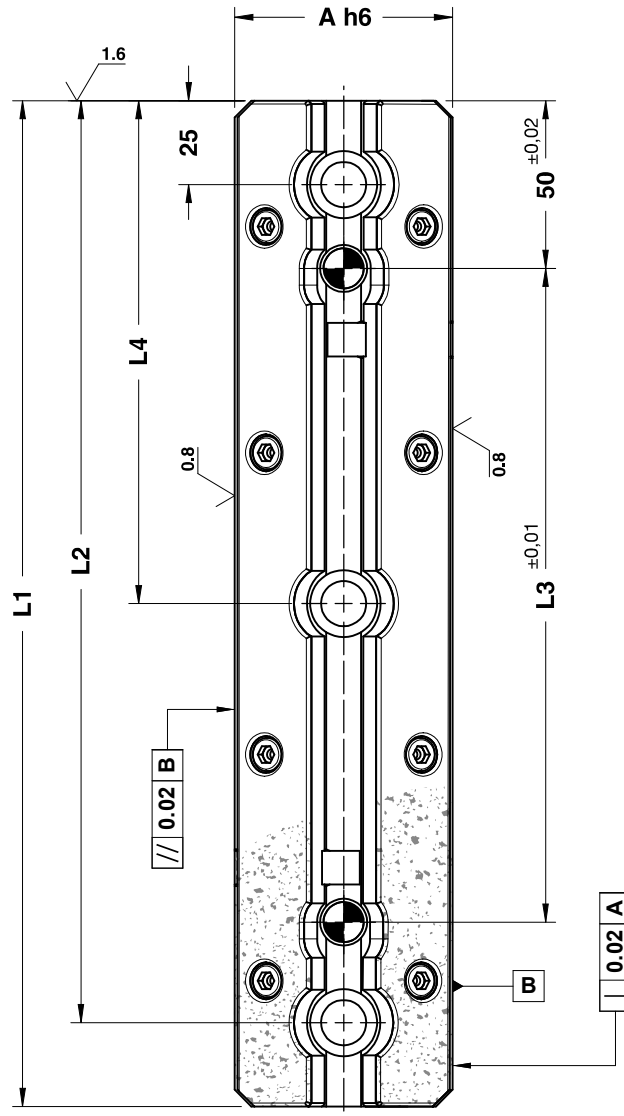
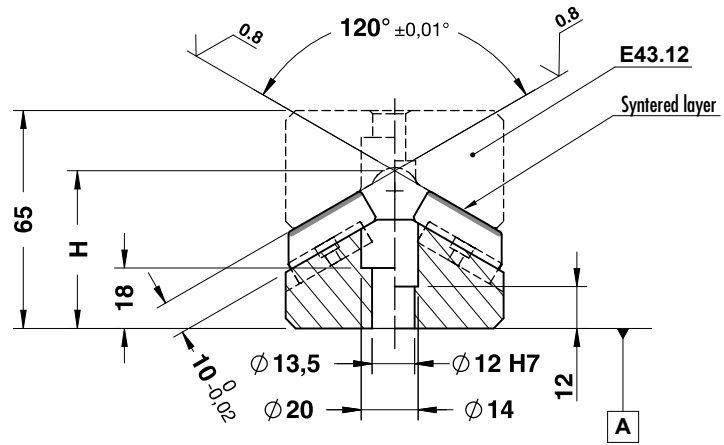
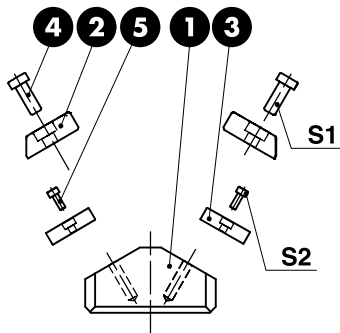


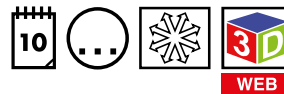
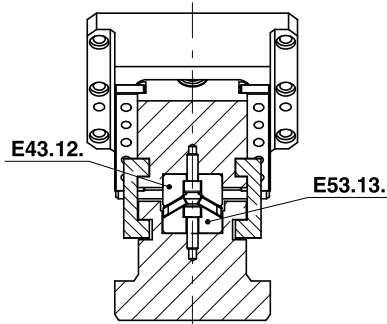
SINTERED "V" DRIVER
PRISMENFÜHRUNG STAHL MIT SINTERGLEITFLÄCHE
GUIDA A "V" IN ACCIAIO SINTERIZZATO



Notes

- 1** Material: Steel
- 2** E50.50
- 3** Key - **Material:** CK45
- 4** DIN 7984 - M6 x 16
- 5** DIN 912 - M3 x 8

Application example



ORDER EXAMPLE 	Art.	A=65	H=47	L1=200
	E53.13.	065	47	200

OMCR CODE	A	H	L1	L2	L3	L4	S1	S2
E53.13.06547150	65	47	150	125	45	-	Nr6 - M6 x 16	Nr2 - M3 x 8
E53.13.06547200	65	47	200	175	95	-	Nr6 - M6 x 16	Nr2 - M3 x 8
E53.13.06547250	65	47	250	225	145	125	Nr8 - M6 x 16	Nr2 - M3 x 8
E53.13.06547300	65	47	300	275	195	150	Nr8 - M6 x 16	Nr2 - M3 x 8