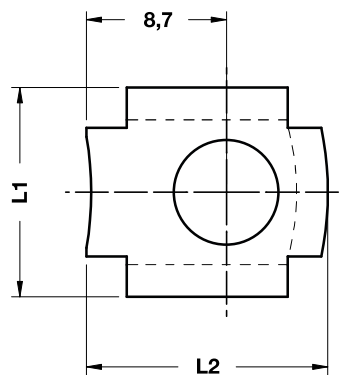
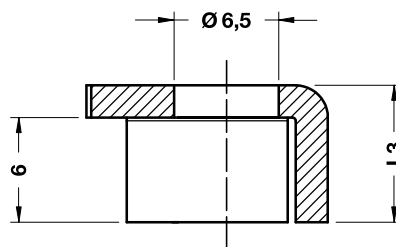
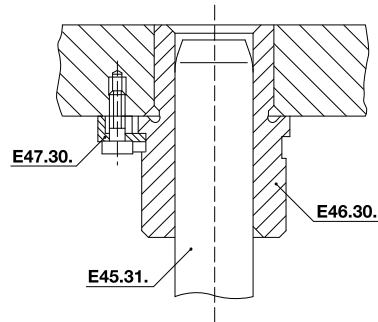


TOE CLAMP HALTESTÜCK RITEGNO

Notes

Material: Steel
Screw not included

Application example



Art.	L1=13	L2=15	L3=8,5
E47.30.	13	15	85

OMCR CODE	L1	L2	L3	Screw
E47.30.131585	13	15	8,5	M6x20 DIN 7984